

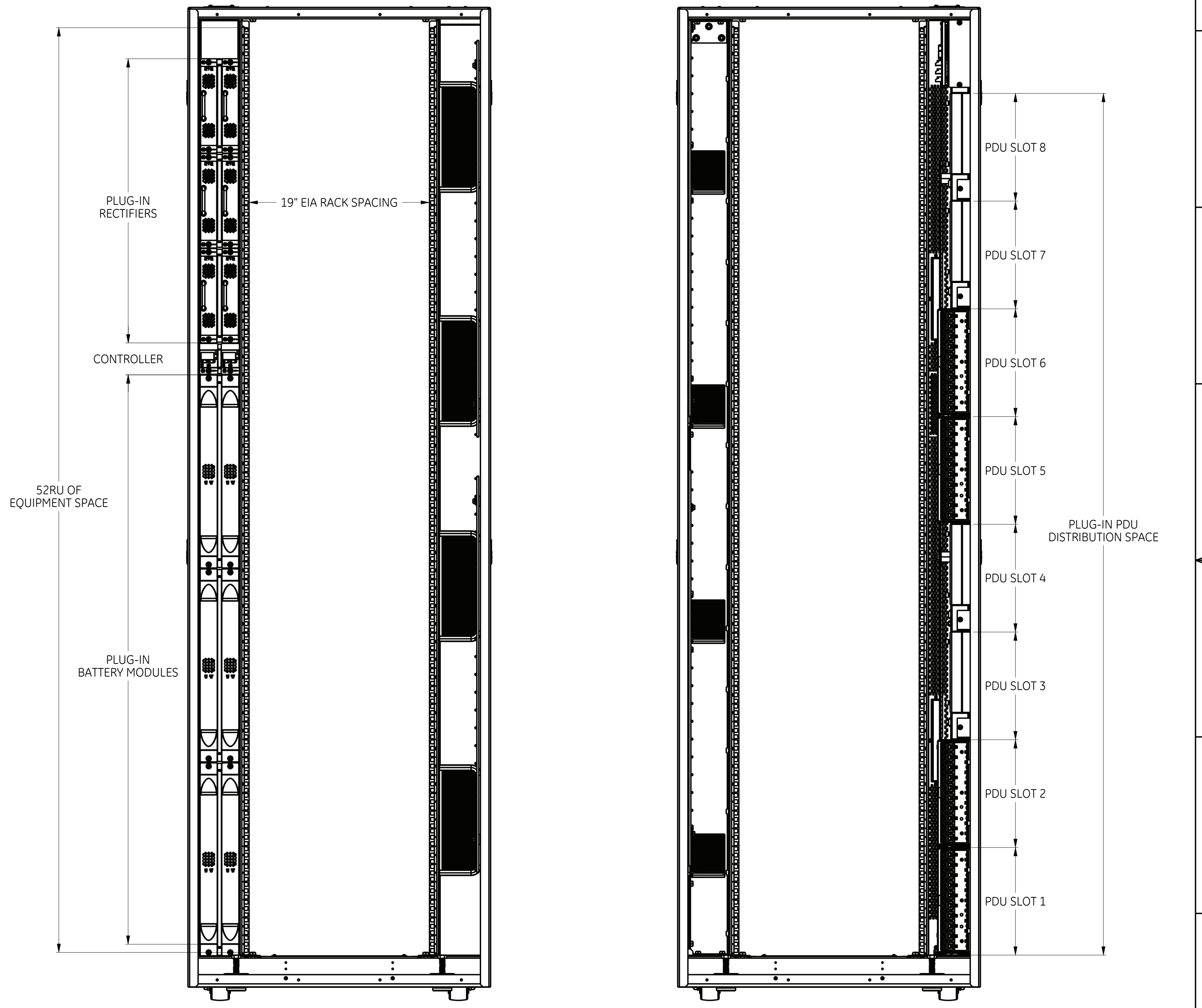
8FT EDGE DISTRIBUTED POWER ARCHITECTURE

INITIAL RELEASE			
DES	MGR	DATE	REV / ISSUE
JTM	SCS	13-JUL-2020	1

EDGE DISTRIBUTED POWER ARCHITECTURE GENERAL SPECIFICATIONS	
ENCLOSURE MATERIAL	CRCQ STEEL SHEET, HOT DIP GALVANIZED, ASTM A653-09a, G60 MINIMUM, CHROMATE-FREE
ENCLOSURE FINISH	CENTRAL OFFICE WHITE POWDER COAT. SHERWIN WILLIAMS: UWT2-10009 OR B. PROTECH: HX511W481
CABLE ACCESS	AC - TOP; NETWORK - TOP OR BOTTOM
EQUIPMENT ACCESS	FRONT/BACK
MOUNTING	FLOOR MOUNTING WITH TOP ENCLOSURE-TO-ENCLOSURE INTERCONNECT BRACKET
REGULATORY	UL1950, EN60950, CSA*234/950, NEBS GR-1089, GR-63-CORE, CE MARK, ROHS-10, FCC PART 15, EN 55022 (CISPR22), EN 55024, LEVEL A, GR-1089
AIR FLOW DIRECTION	FRONT TO BACK
REQUIRED CLEARANCE (REAR)	OPTIONAL DOOR SWING REQUIRES 30.2"
REQUIRED CLEARANCE (FRONT)	OPTIONAL DOOR SWING REQUIRES 30.2"
REQUIRED CLEARANCE (SIDES)	NO CLEARANCE REQUIRED

ORDERING CODE	TYPE	DESCRIPTION	WEIGHT
EDGE CAB G002L / G002R	ENCLOSURE	ENCLOSURE WITHOUT RECTIFIERS, BATTERIES OR DISTRIBUTION	825 LB / 374 KG
1600092584A	RECTIFIER	GP100H3R48TEZEC RECTIFIER	10 LB / 4.5 KG
1600283228A	BATTERY	BME80BATT48AZ BATTERY MODULE	43 LB / 19.5 KG
1600213820A	DISTRIBUTION	10 POS PLUG IN 400A PDU	8 LB / 3.7 KG
1600250698A	DISTRIBUTION	2 POS PLUG IN 400A PDU	7 LB / 3.2 KG
1600274227A	DISTRIBUTION	10 POS PLUG IN 400A BATTERY PDU	8 LB / 3.7 KG
1600274230A	SHELF	1RU HORIZONTAL BATTERY SHELF	8 LB / 3.7 KG
1600274231A	SHELF	1RU HORIZONTAL BATTERY SHELF	8 LB / 3.7 KG

8 FT EDGE DISTRIBUTED POWER ARCHITECTURE POWER SPECIFICATION			
NUMBER OF RECTIFIERS	POWER STICK GROUP CODE	INPUT	OUTPUT
6 (3 PER FEED)	202 OR 203	2 x 480 VAC 3W+PE 50/60 Hz 24A PER FEED	42-58VDC, 36kW MAX 1000A MAX (LESS BATTERY CHARGE)
10 (5 PER FEED)	204 OR 205	2 x 480 VAC 3W+PE 50/60 Hz 40A PER FEED	42-58VDC, 60kW MAX 1000A MAX (LESS BATTERY CHARGE)

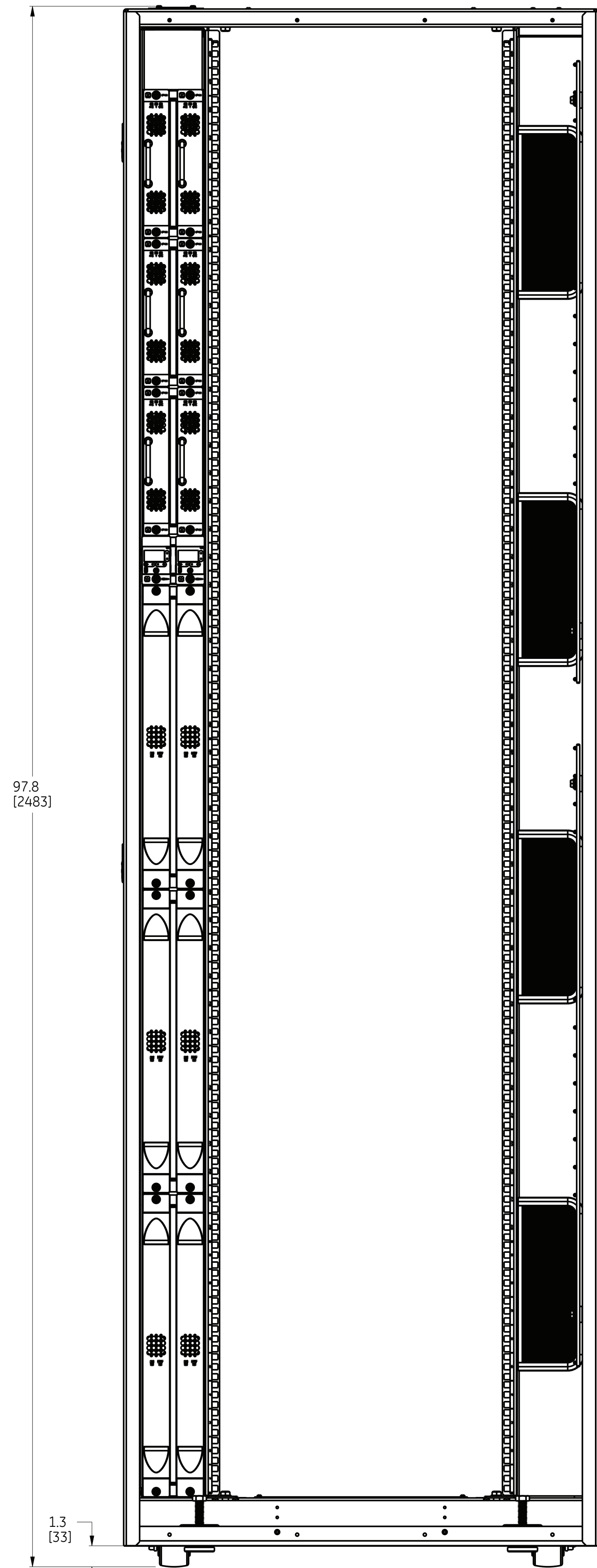


TECH SUPPORT: 1-972-244-9288 (WATT)
[HTTPS://ELECTRIFICATION.US.ABB.COM/PRODUCTS/DATA-CENTER-SOLUTIONS/EDGE](https://electrification.us.abb.com/products/data-center-solutions/edge)

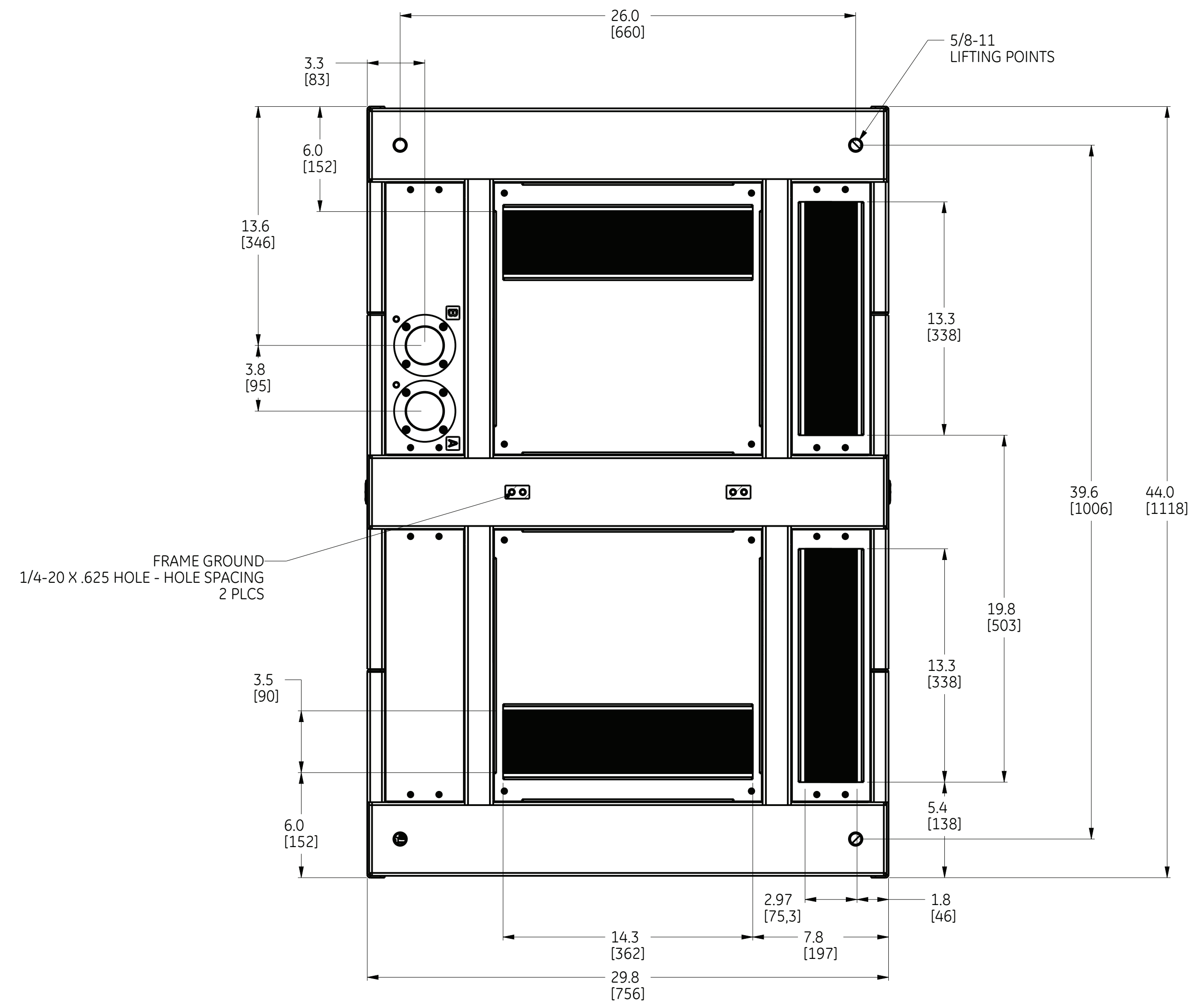
Copyright© 2020 ABB
 All rights reserved
 We reserve all rights in this document and in the subject matter and illustrations contained therein. Any reproduction, disclosure to third parties or utilization of its contents - in whole or in parts - is forbidden without prior written consent of ABB. We reserve the right to make technical changes or modify the contents of this document without prior notice. ABB does not accept any responsibility whatsoever for potential errors or possible lack of information in this document. All other trademarks are the property of their respective owners.

ABB PROPRIETARY INFORMATION		
THIRD ANGLE PROJECTION		
ABB		
TITLE / DESCRIPTION		
EDGE ENCLOSURE - 8FT		
SIZE	PART NUMBER	REV.
B	EDGE DISTRIBUTED POWER ARCHITECTURE	1
SHEET 1 OF 12		

8FT EDGE ENCLOSURE DIMENSIONS



ENCLOSURE REAR



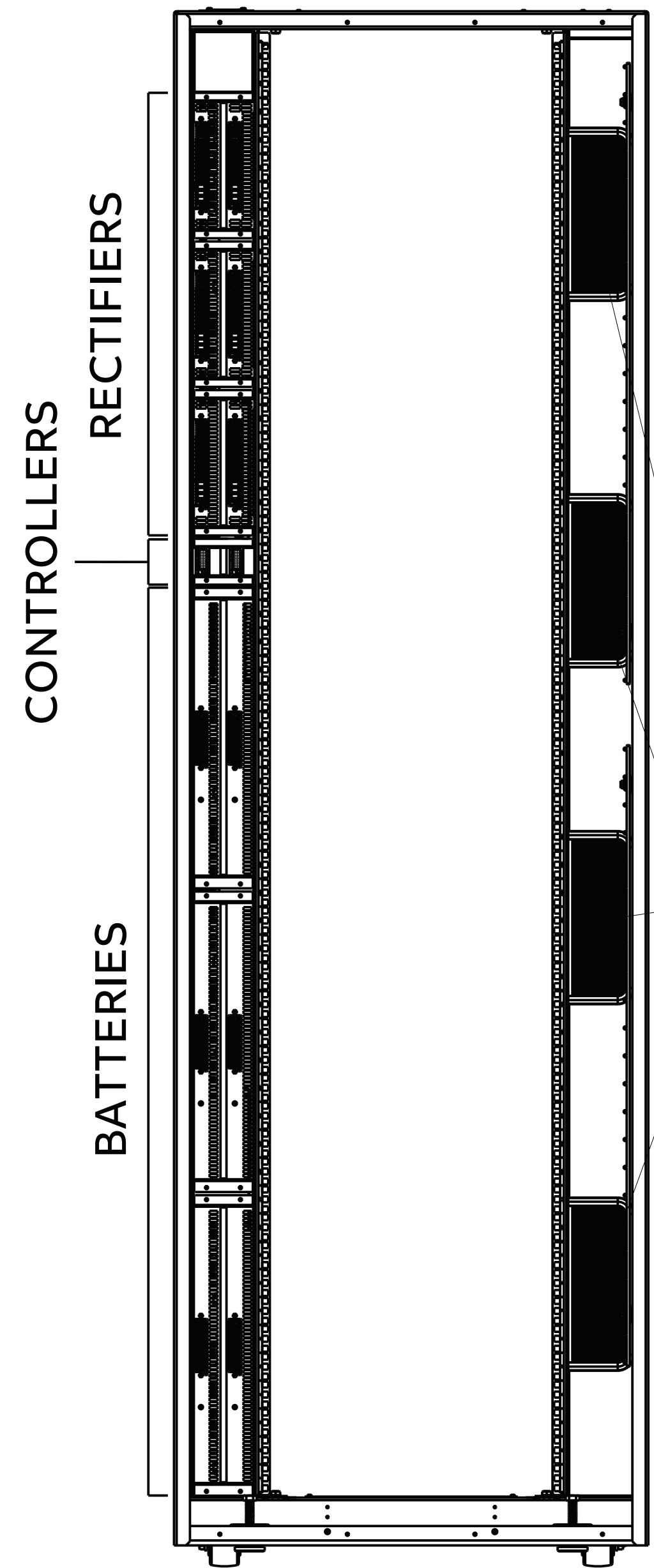
ENCLOSURE FRONT

Copyright© 2020 ABB
 All rights reserved
 We reserve all rights in this document and in the subject matter and illustrations contained therein. Any reproduction, disclosure to third parties or utilization of its contents - in whole or in parts - is forbidden without prior written consent of ABB. We reserve the right to make technical changes or modify the contents of this document without prior notice. ABB does not accept any responsibility whatsoever for potential errors or possible lack of information in this document. All other trademarks are the property of their respective owners.

ABB PROPRIETARY INFORMATION		
THIRD ANGLE PROJECTION		
TITLE / DESCRIPTION		
EDGE ENCLOSURE - 8FT		
SIZE	PART NUMBER	REV.
B	EDGE DISTRIBUTED POWER ARCHITECTURE	1
SHEET 2 OF 12		

8 FT EDGE CONFIGURATION OPTIONS

EDGE CABG002LG202

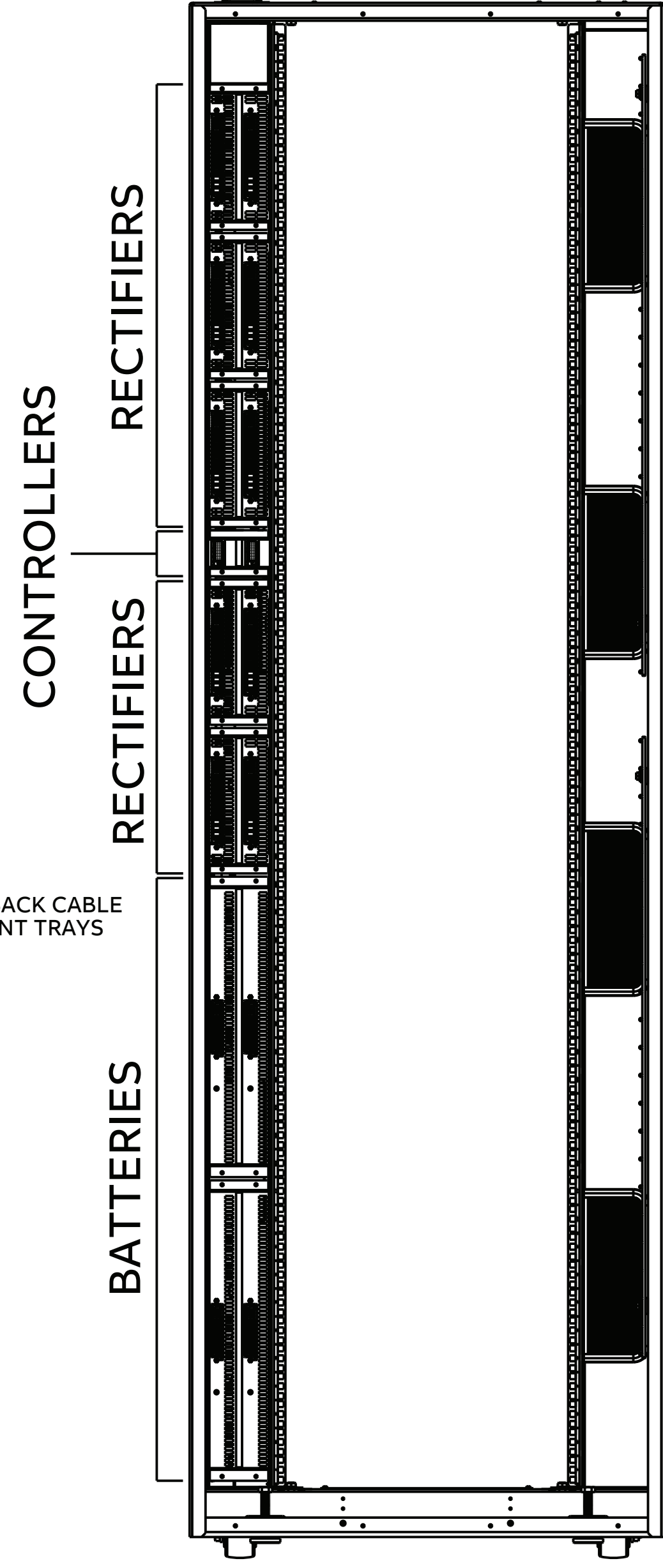


6 RECTIFIER SLOTS

6 BATTERY SLOTS

WIRE MANAGEMENT TRAYS ON THE RIGHT SIDE OF THE FRAME

EDGE CABG002LG204

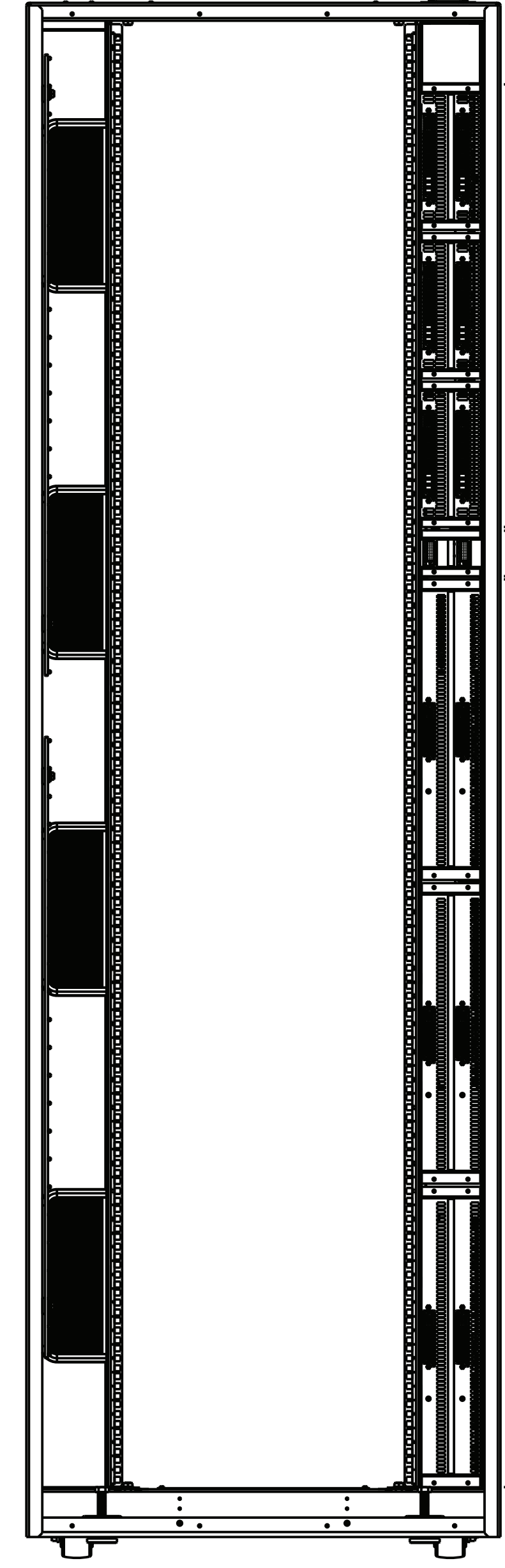


10 RECTIFIER SLOTS

4 BATTERY SLOTS

WIRE MANAGEMENT TRAYS ON THE RIGHT SIDE OF THE FRAME

EDGE CABG002RG203

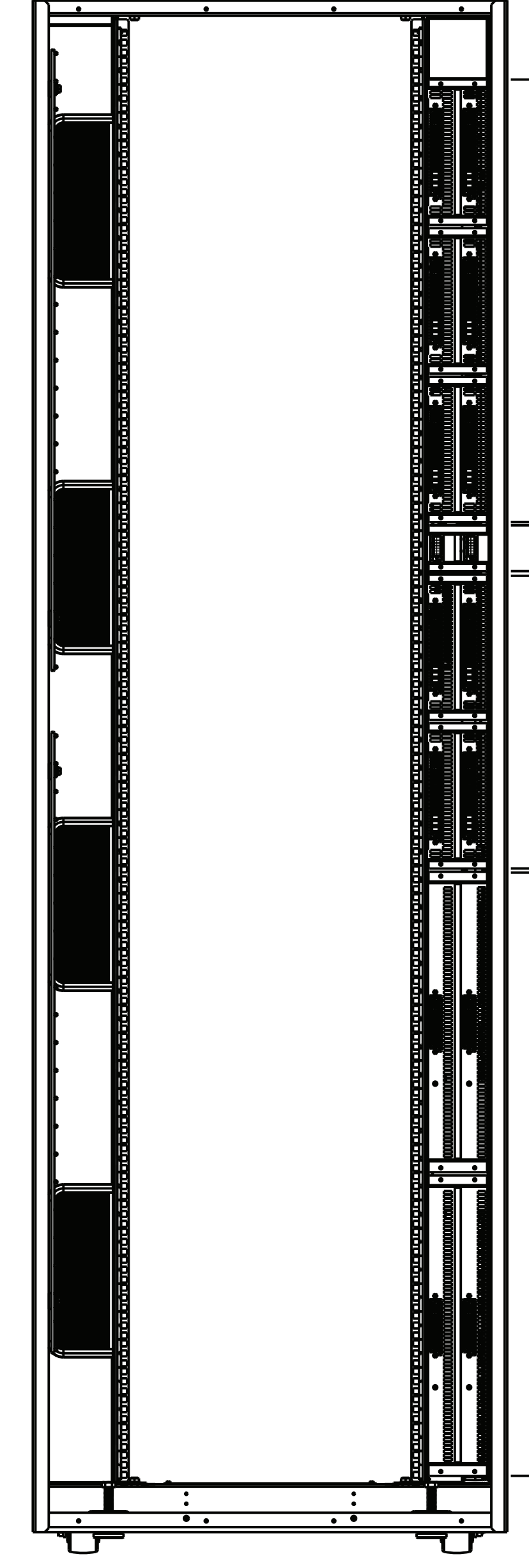


6 RECTIFIER SLOTS

6 BATTERY SLOTS

WIRE MANAGEMENT TRAYS ON THE LEFT SIDE OF THE FRAME

EDGE CABG002RG205



10 RECTIFIER SLOTS

4 BATTERY SLOTS

WIRE MANAGEMENT TRAYS ON THE LEFT SIDE OF THE FRAME

Copyright© 2020 ABB
All rights reserved
We reserve all rights in this document and in the subject matter and illustrations contained therein. Any reproduction, disclosure to third parties or utilization of its contents - in whole or in parts - is forbidden without prior written consent of ABB. We reserve the right to make technical changes or modify the contents of this document without prior notice. ABB does not accept any responsibility whatsoever for potential errors or possible lack of information in this document. All other trademarks are the property of their respective owners.

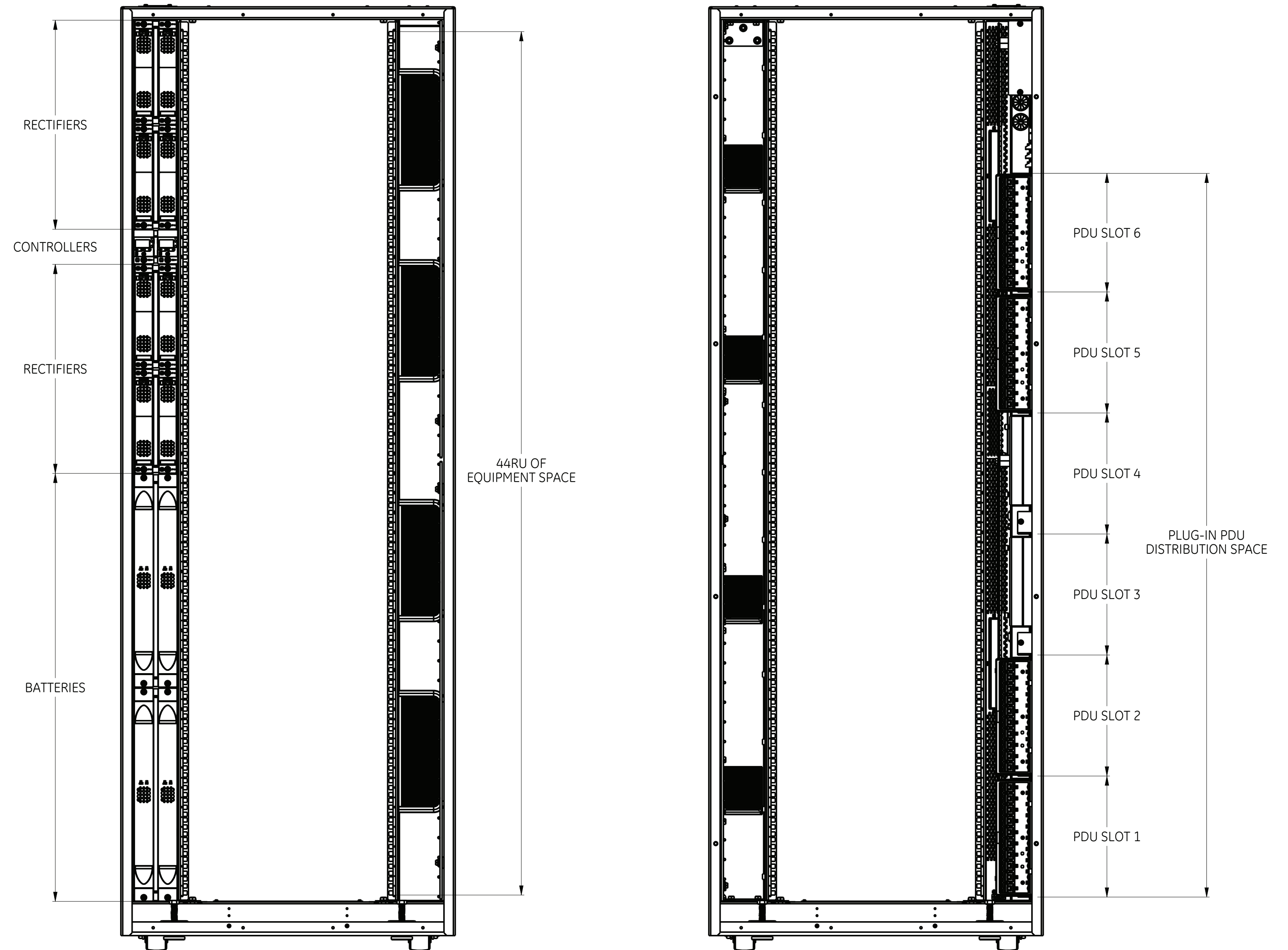
ABB PROPRIETARY INFORMATION		
THIRD ANGLE PROJECTION		
TITLE / DESCRIPTION		
EDGE 8FT POWER STICK CONFIGURATIONS		
SIZE	PART NUMBER	REV.
B	EDGE DISTRIBUTED POWER ARCHITECTURE	1

7FT EDGE DISTRIBUTED POWER ARCHITECTURE

EDGE DISTRIBUTED POWER ARCHITECTURE GENERAL SPECIFICATIONS	
ENCLOSURE MATERIAL	CRCQ STEEL SHEET, HOT DIP GALVANIZED, ASTM A653-09a, G60 MINIMUM, CHROMATE-FREE
ENCLOSURE FINISH	CENTRAL OFFICE WHITE POWDER COAT. SHERWIN WILLIAMS: UWT2-10009 OR B. PROTECH: HX511W481
CABLE ACCESS	AC - TOP; NETWORK - TOP OR BOTTOM
EQUIPMENT ACCESS	FRONT/BACK
MOUNTING	FLOOR MOUNTING WITH TOP ENCLOSURE-TO-ENCLOSURE INTERCONNECT BRACKET
REGULATORY	UL1950, EN60950, CSA*234/950, NEBS GR-1089, GR-63-CORE, CE MARK, ROHS-10, FCC PART 15, EN 55022 (CISPR22), EN 55024, LEVEL A, GR-1089
AIR FLOW DIRECTION	FRONT TO BACK
REQUIRED CLEARANCE (REAR)	OPTIONAL DOOR SWING REQUIRES 30.2"
REQUIRED CLEARANCE (FRONT)	OPTIONAL DOOR SWING REQUIRES 30.2"
REQUIRED CLEARANCE (SIDES)	NO CLEARANCE REQUIRED

ORDERING CODE	TYPE	DESCRIPTION	WEIGHT
EDGE CAB G002L / G002R	ENCLOSURE	ENCLOSURE WITHOUT RECTIFIERS, BATTERIES OR DISTRIBUTION	825 LB / 374 KG
1600092584A	RECTIFIER	GP100H3R48TEZEC RECTIFIER	10 LB / 4.5 KG
1600283228A	BATTERY	BME80BATT48AZ BATTERY MODULE	43 LB / 19.5 KG
1600213820A	DISTRIBUTION	10 POS PLUG IN 400A PDU	8 LB / 3.7 KG
1600250698A	DISTRIBUTION	2 POS PLUG IN 400A PDU	7 LB / 3.2 KG
1600274227A	DISTRIBUTION	10 POS PLUG IN 400A BATTERY PDU	8 LB / 3.7 KG
1600274230A	SHELF	1RU HORIZONTAL BATTERY SHELF	8 LB / 3.7 KG
1600274231A	SHELF	1RU HORIZONTAL BATTERY SHELF	8 LB / 3.7 KG

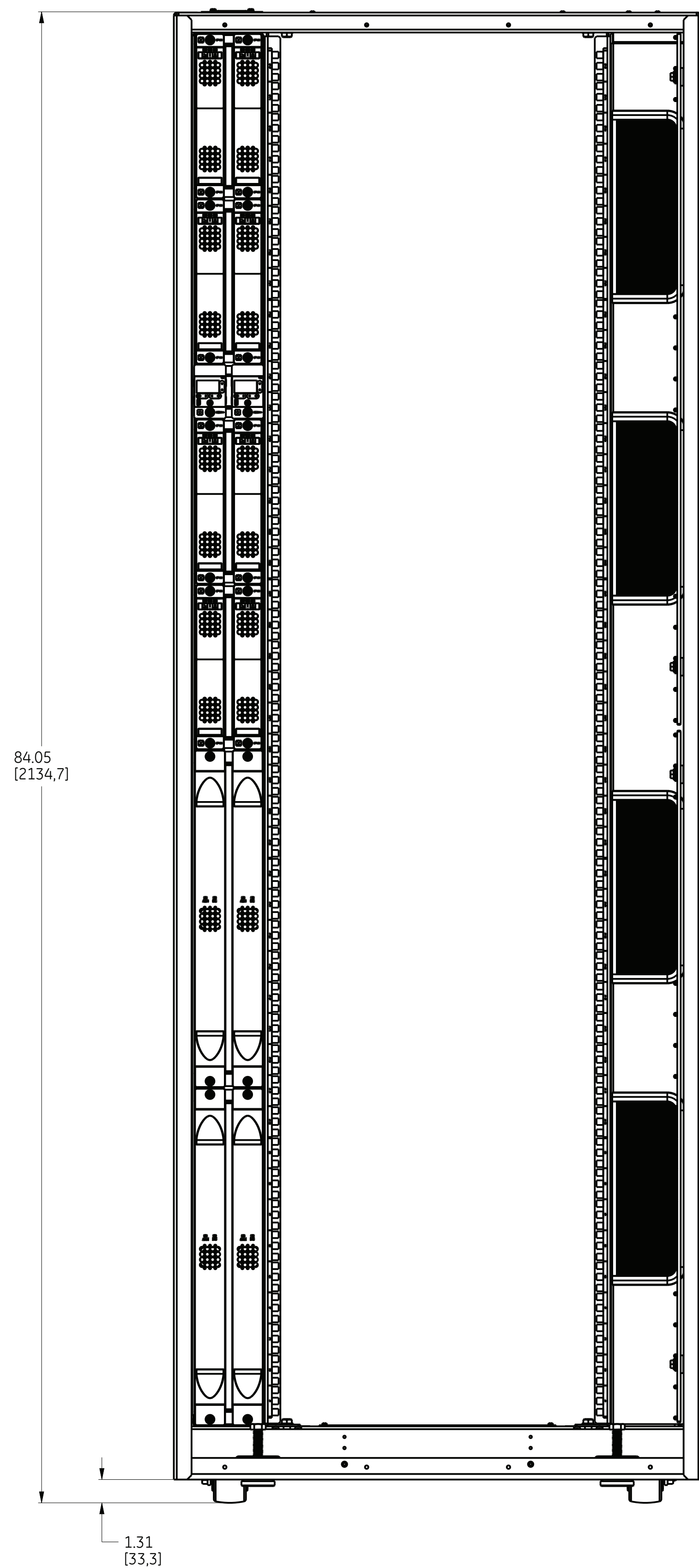
EDGE DISTRIBUTED POWER ARCHITECTURE POWER SPECIFICATION			
NUMBER OF RECTIFIERS	POWER STICK GROUP CODE	INPUT	OUTPUT
6 (3 PER FEED)	210 OR 211	2 x 480 VAC 3W+PE 50/60 Hz 32A PER FEED	42-58VDC, 48kW MAX 1000A MAX (LESS BATTERY CHARGE)
10 (5 PER FEED)	212 OR 213	2 x 480 VAC 3W+PE 50/60 Hz 40A PER FEED	42-58VDC, 60kW MAX 1000A MAX (LESS BATTERY CHARGE)



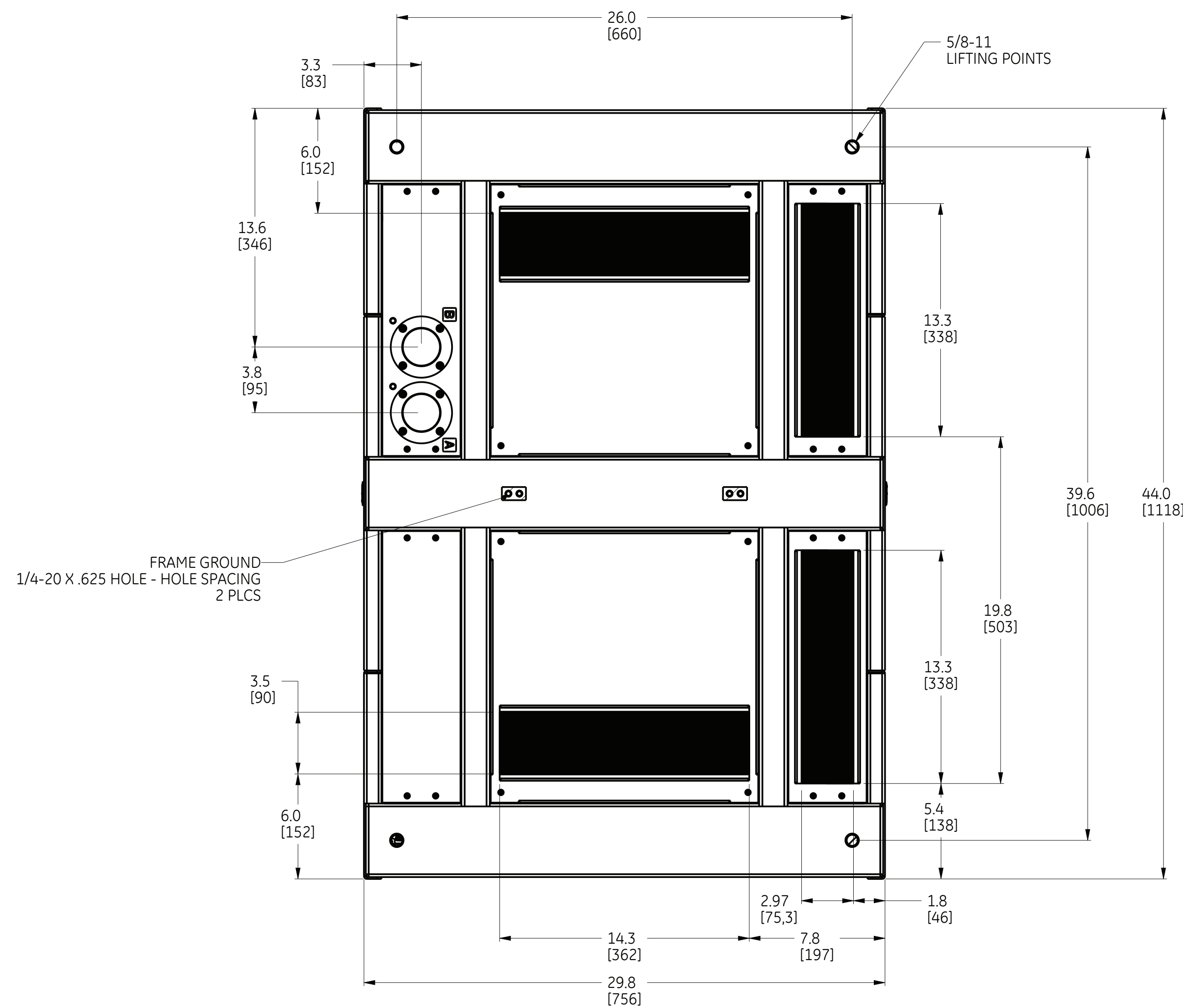
Copyright© 2020 ABB
All rights reserved
We reserve all rights in this document and in the subject matter and illustrations contained therein. Any reproduction, disclosure to third parties or utilization of its contents - in whole or in parts - is forbidden without prior written consent of ABB. We reserve the right to make technical changes or modify the contents of this document without prior notice. ABB does not accept any responsibility whatsoever for potential errors or possible lack of information in this document. All other trademarks are the property of their respective owners.

ABB PROPRIETARY INFORMATION		
THIRD ANGLE PROJECTION		
ABB		
TITLE / DESCRIPTION		
EDGE ENCLOSURE - 7FT		
SIZE	PART NUMBER	REV.
B	EDGE DISTRIBUTED POWER ARCHITECTURE	1
SHEET 4 OF 12		

7FT EDGE ENCLOSURE DIMENSIONS



ENCLOSURE REAR



ENCLOSURE FRONT

Copyright© 2020 ABB
All rights reserved
We reserve all rights in this document and in the subject matter and illustrations contained therein. Any reproduction, disclosure to third parties or utilization of its contents - in whole or in parts - is forbidden without prior written consent of ABB. We reserve the right to make technical changes or modify the contents of this document without prior notice. ABB does not accept any responsibility whatsoever for potential errors or possible lack of information in this document. All other trademarks are the property of their respective owners.

ABB PROPRIETARY INFORMATION		
THIRD ANGLE PROJECTION		
TITLE / DESCRIPTION		
EDGE ENCLOSURE - 7FT		
SIZE	PART NUMBER	REV.
B	EDGE DISTRIBUTED POWER ARCHITECTURE	1

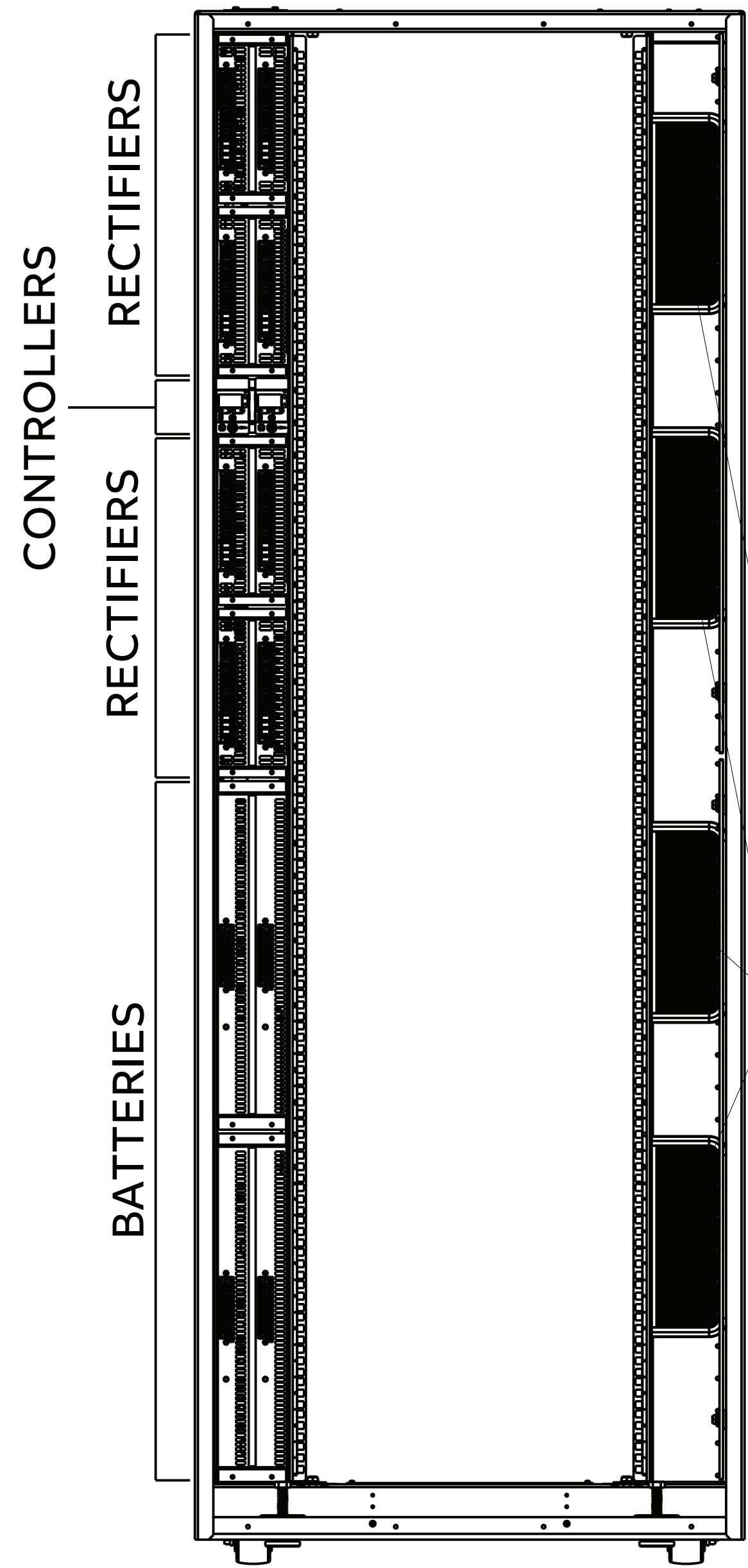
7FT EDGE CONFIGURATION OPTIONS

EDGE CABG001LG210

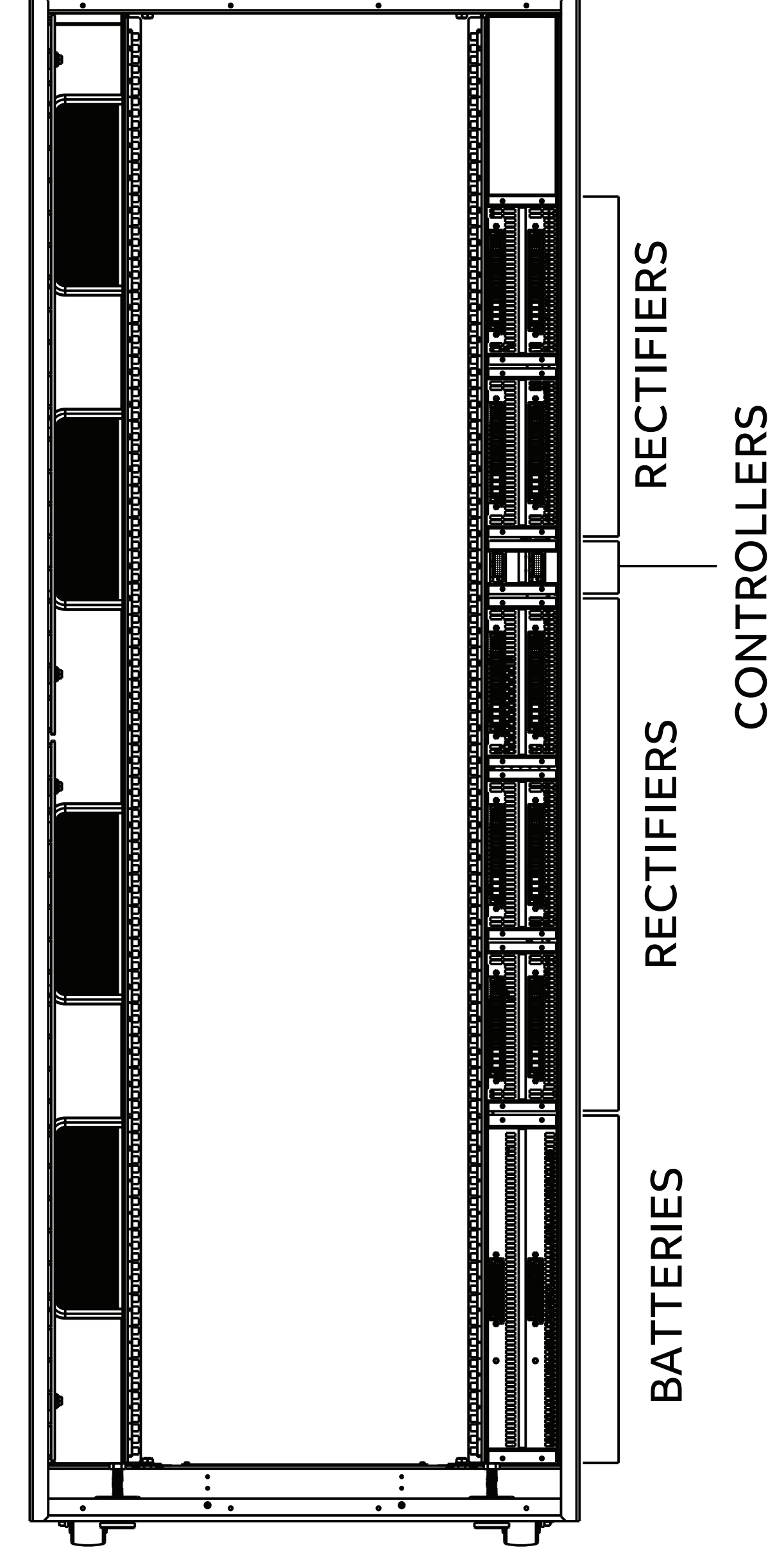
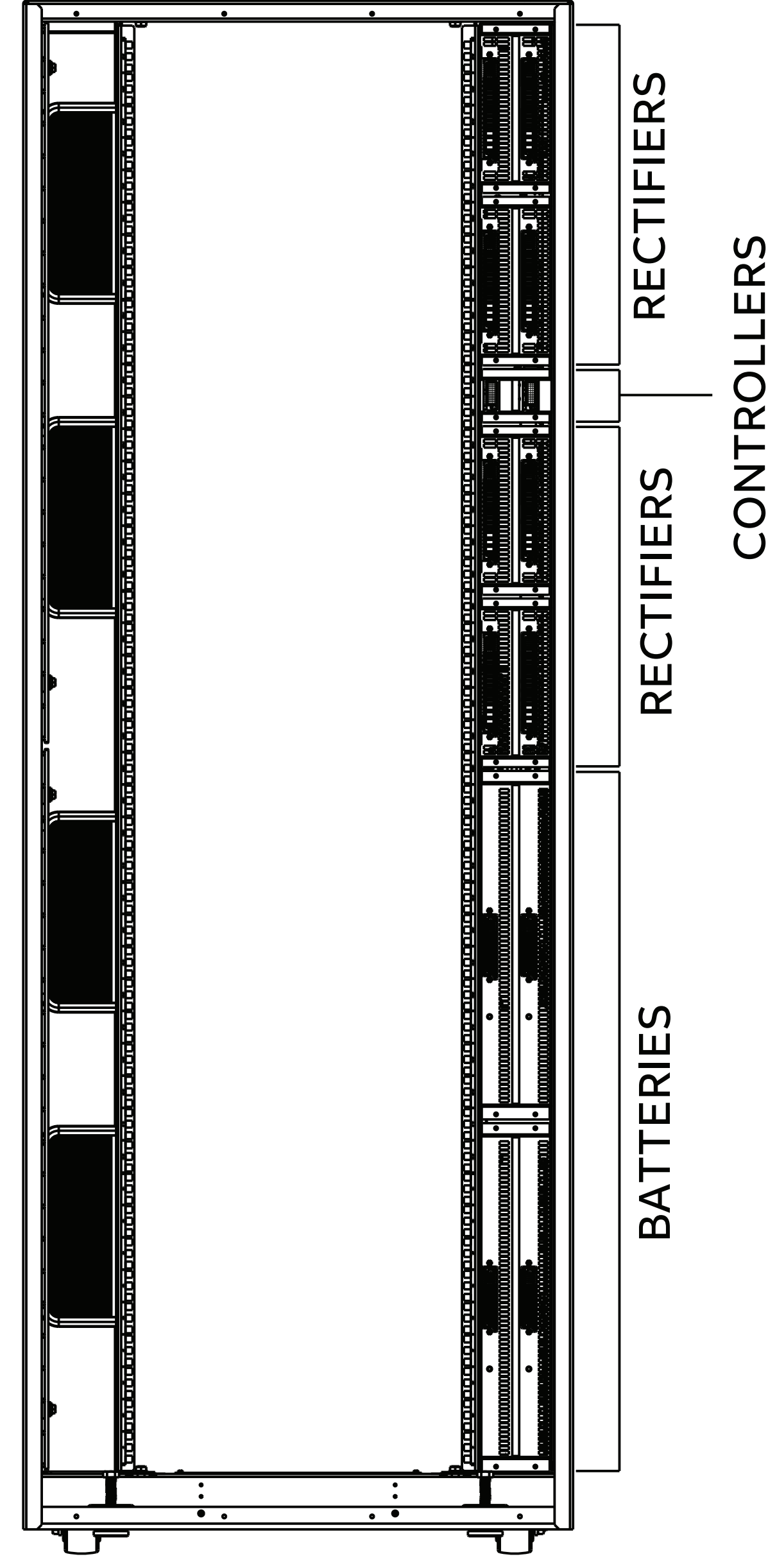
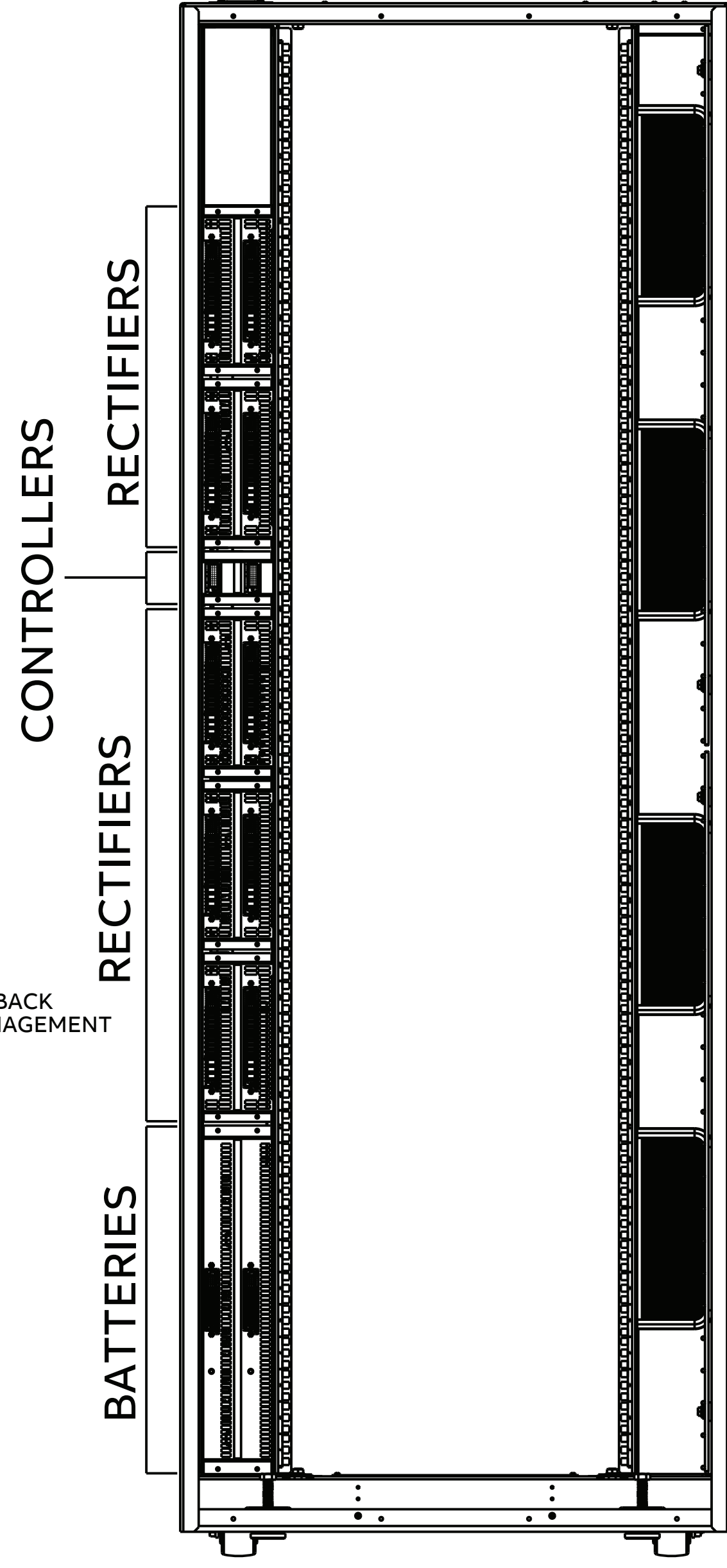
EDGE CABG001LG212

EDGE CABG001RG211

EDGE CABG001RG213



FRONT TO BACK
CABLE MANAGEMENT
TRAYS



8 RECTIFIER SLOTS

4 BATTERY SLOTS

WIRE MANAGEMENT TRAYS ON
THE RIGHT SIDE OF THE FRAME

10 RECTIFIER SLOTS

2 BATTERY SLOTS

WIRE MANAGEMENT TRAYS ON
THE RIGHT SIDE OF THE FRAME

8 RECTIFIER SLOTS

4 BATTERY SLOTS

WIRE MANAGEMENT TRAYS ON
THE LEFT SIDE OF THE FRAME

10 RECTIFIER SLOTS

2 BATTERY SLOTS

WIRE MANAGEMENT TRAYS ON
THE LEFT SIDE OF THE FRAME

Copyright© 2020 ABB
All rights reserved
We reserve all rights in this document and in the subject matter and illustrations contained therein. Any reproduction, disclosure to third parties or utilization of its contents - in whole or in parts - is forbidden without prior written consent of ABB. We reserve the right to make technical changes or modify the contents of this document without prior notice. ABB does not accept any responsibility whatsoever for potential errors or possible lack of information in this document. All other trademarks are the property of their respective owners.

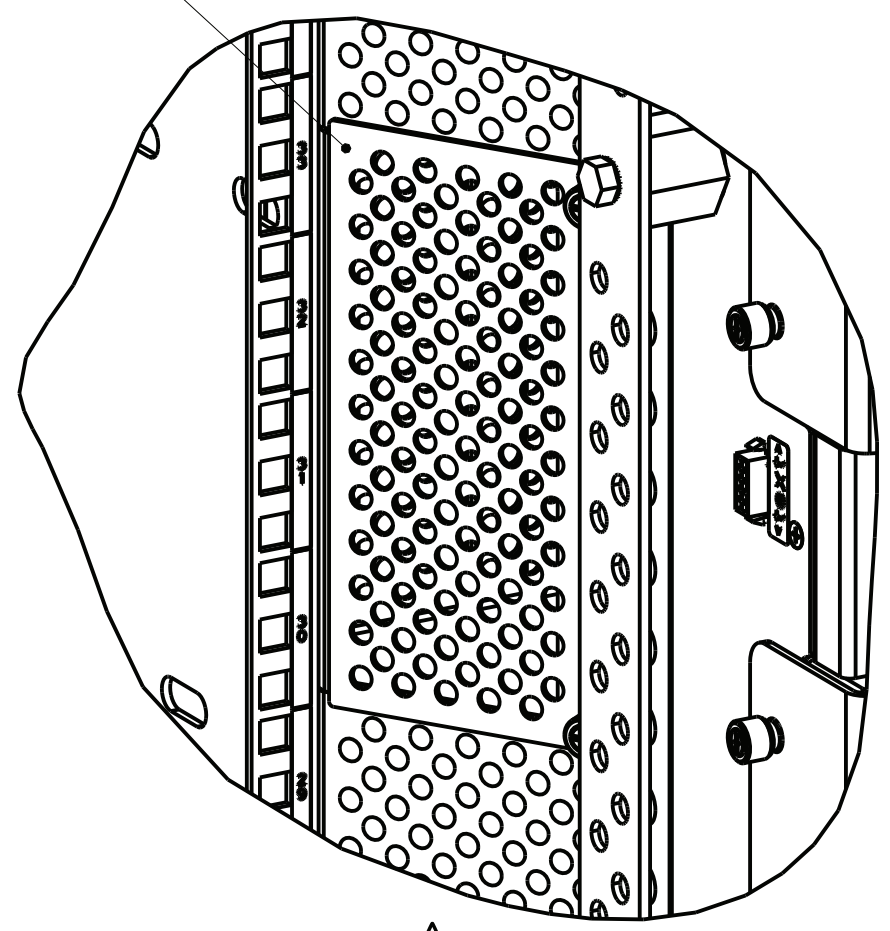
ABB PROPRIETARY INFORMATION		
THIRD ANGLE PROJECTION		
TITLE / DESCRIPTION		
EDGE 7FT POWER STICK CONFIGURATIONS		
SIZE	PART NUMBER	REV.
B	EDGE DISTRIBUTED POWER ARCHITECTURE	1
SHEET 6 OF 12		

0 1 2 3 4 5 6 7 8 9

A
B
C
D
E
F
G
H

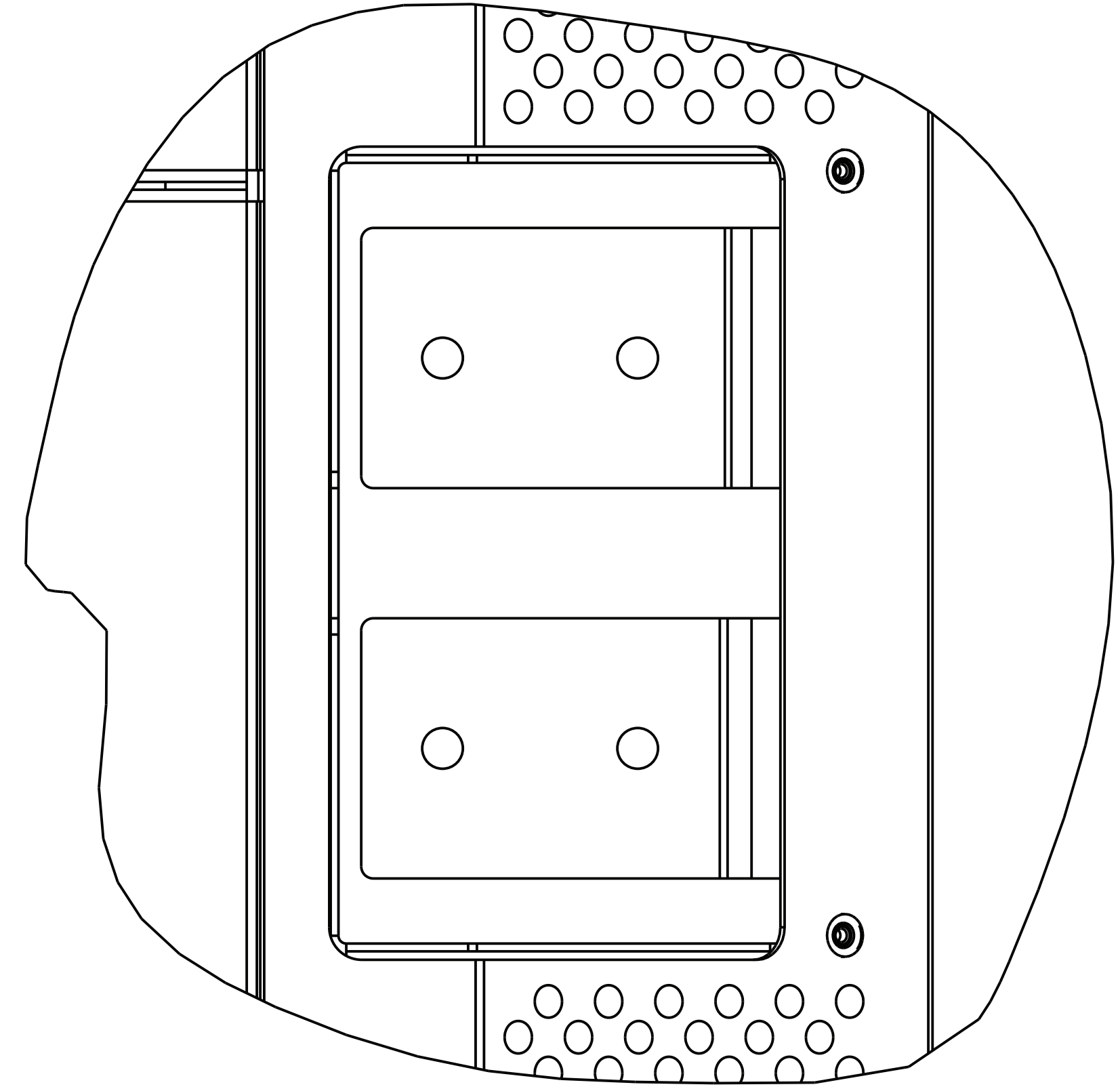
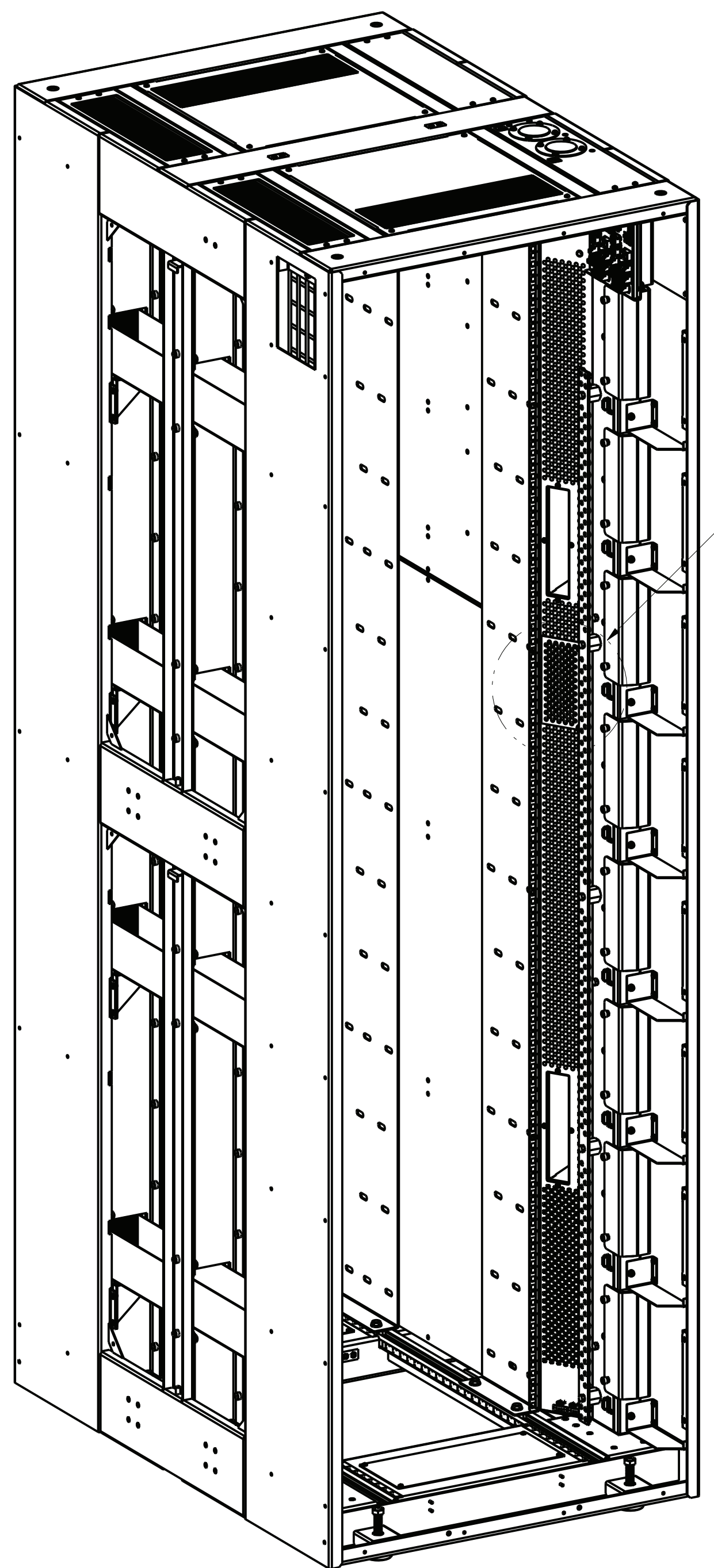
A
B
C
D
E
F
G
H

EDGE SINGLE BUS
CONVERSION PANEL



DETAIL A
SCALE 1:2

SEE DETAIL A



SINGLE BUS PANEL COVER
REMOVED FOR CLARITY
SCALE 1:1

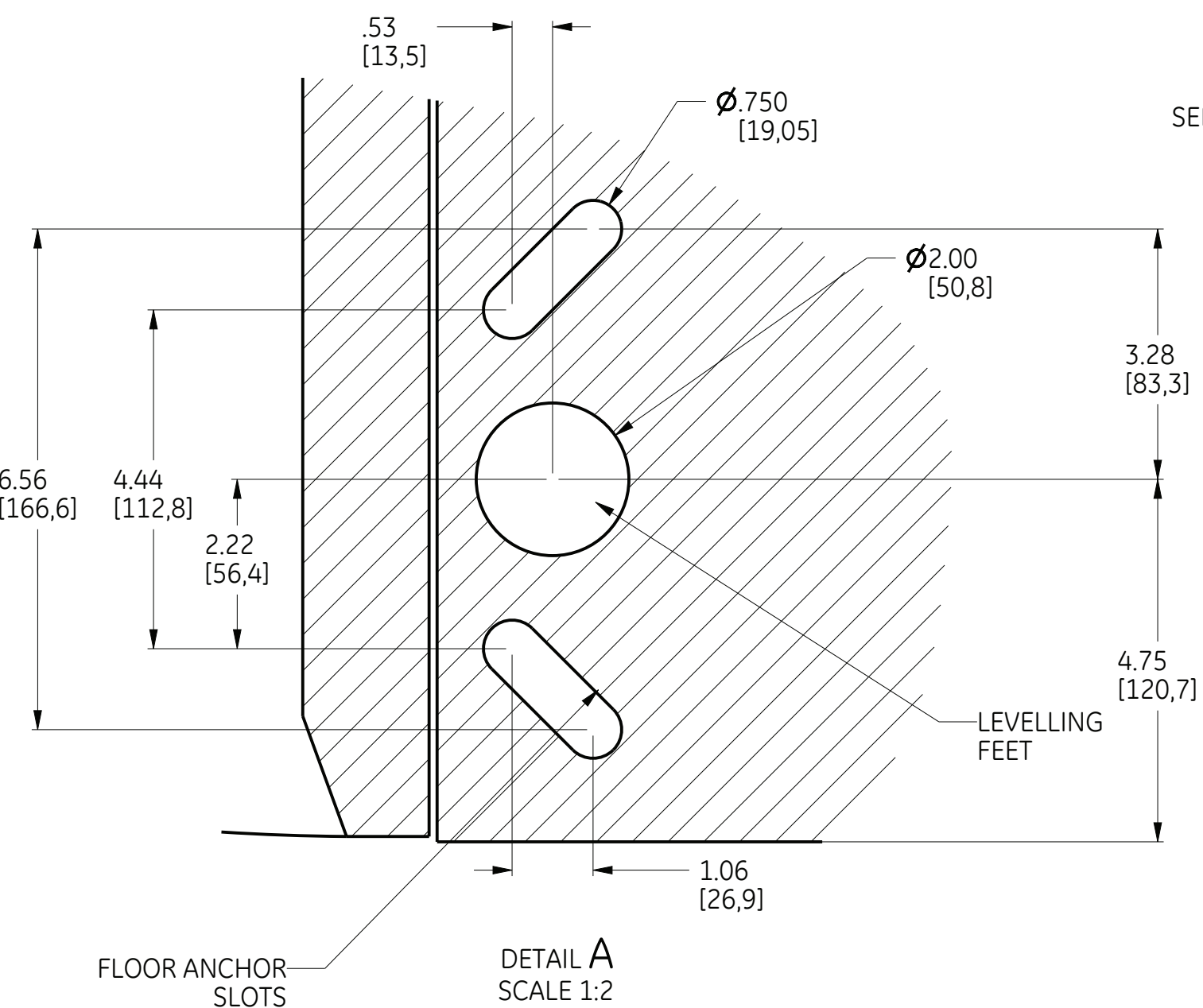
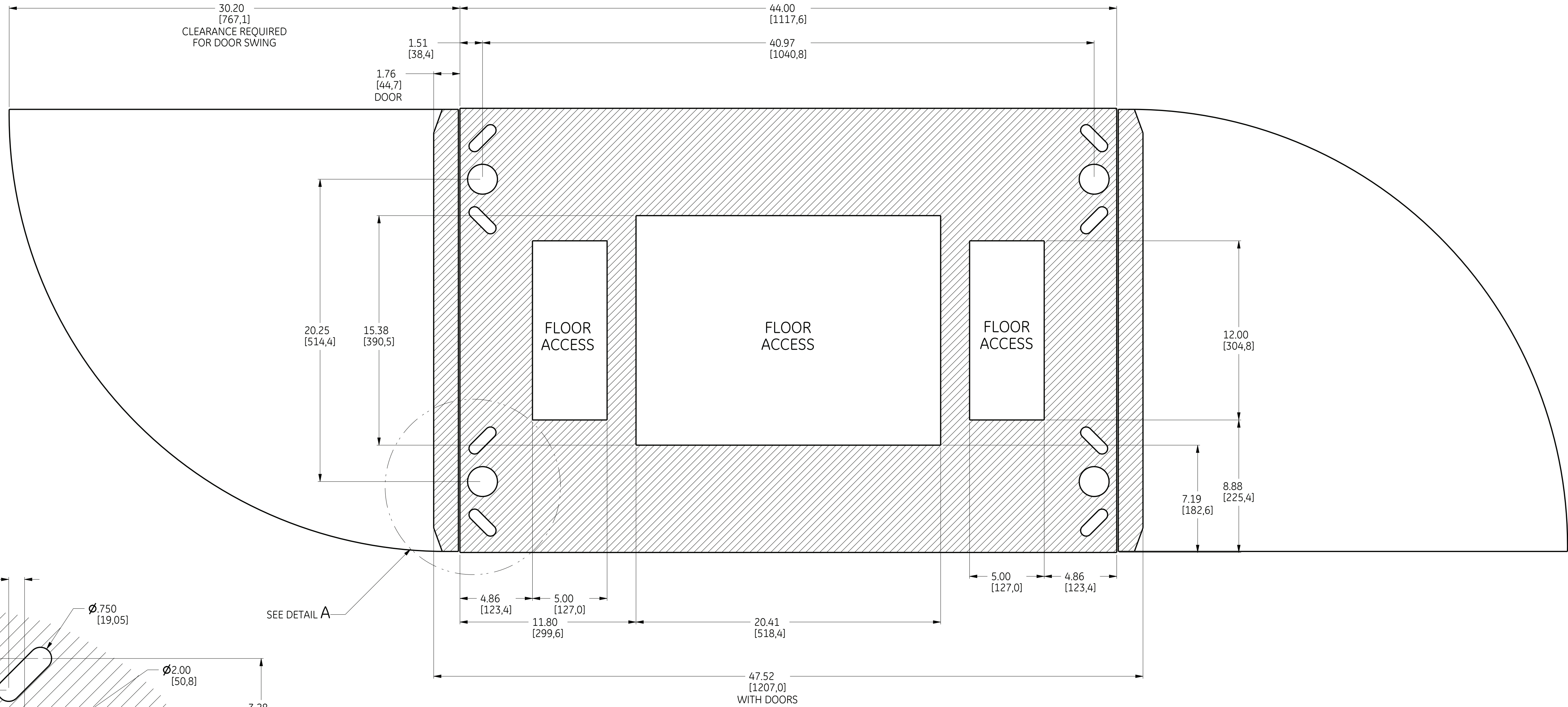
THE DEFAULT CONFIGURATION FOR EDGE ENCLOSURES IS TO HAVE AN "A" AND "B" DC OUTPUT BUS; YOU CAN CONVERT ANY EDGE ENCLOSURE TO HAVE A SINGLE DC OUTPUT BUS BY INSTALLING 8600348417P IN THE EDGE SINGLE BUS CONVERSION PANEL

Copyright© 2020 ABB
All rights reserved
We reserve all rights in this document and in the subject matter and illustrations contained therein. Any reproduction, disclosure to third parties or utilization of its contents - in whole or in parts - is forbidden without prior written consent of ABB. We reserve the right to make technical changes or modify the contents of this document without prior notice. ABB does not accept any responsibility whatsoever for potential errors or possible lack of information in this document. All other trademarks are the property of their respective owners.

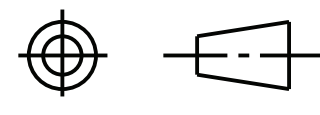

ABB PROPRIETARY INFORMATION		
THIRD ANGLE PROJECTION		
TITLE / DESCRIPTION		
EDGE SINGLE OUTPUT PANEL		
SIZE	PART NUMBER	REV.
B	EDGE DISTRIBUTED POWER ARCHITECTURE	1
SHEET 7 OF 12		

0 1 2 3 4 5 6 7 8 9

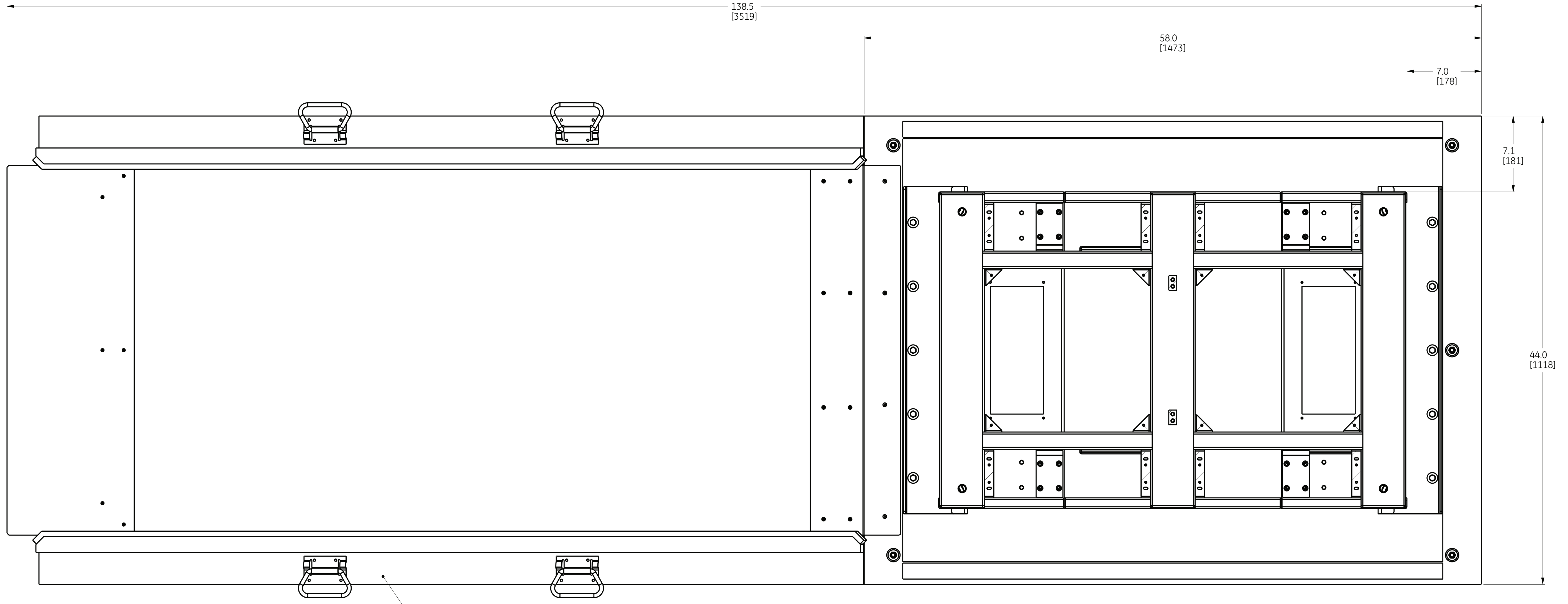
EDGE FLOOR LAYOUT



Copyright© 2020 ABB
 All rights reserved
 We reserve all rights in this document and in the subject matter and illustrations contained therein. Any reproduction, disclosure to third parties or utilization of its contents - in whole or in parts - is forbidden without prior written consent of ABB. We reserve the right to make technical changes or modify the contents of this document without prior notice. ABB does not accept any responsibility whatsoever for potential errors or possible lack of information in this document. All other trademarks are the property of their respective owners.

ABB PROPRIETARY INFORMATION		
THIRD ANGLE PROJECTION		
		
		
TITLE / DESCRIPTION		
EDGE ENCLOSURE - FLOOR LAYOUT		
SIZE	PART NUMBER	REV.
B	EDGE DISTRIBUTED POWER ARCHITECTURE	1
SHEET 8 OF 12		

EDGE PALLET AND RAMP LAYOUT



8600297905
EDGE PALLET RAMP

Copyright© 2020 ABB
All rights reserved
We reserve all rights in this document and in the subject matter and illustrations contained therein. Any reproduction, disclosure to third parties or utilization of its contents - in whole or in parts - is forbidden without prior written consent of ABB. We reserve the right to make technical changes or modify the contents of this document without prior notice. ABB does not accept any responsibility whatsoever for potential errors or possible lack of information in this document. All other trademarks are the property of their respective owners.

ABB PROPRIETARY INFORMATION		
THIRD ANGLE PROJECTION		
TITLE / DESCRIPTION		
EDGE ENCLOSURE - PALLET W/ RAMP		
SIZE	PART NUMBER	REV.
B	EDGE DISTRIBUTED POWER ARCHITECTURE	1
SHEET 9 OF 12		

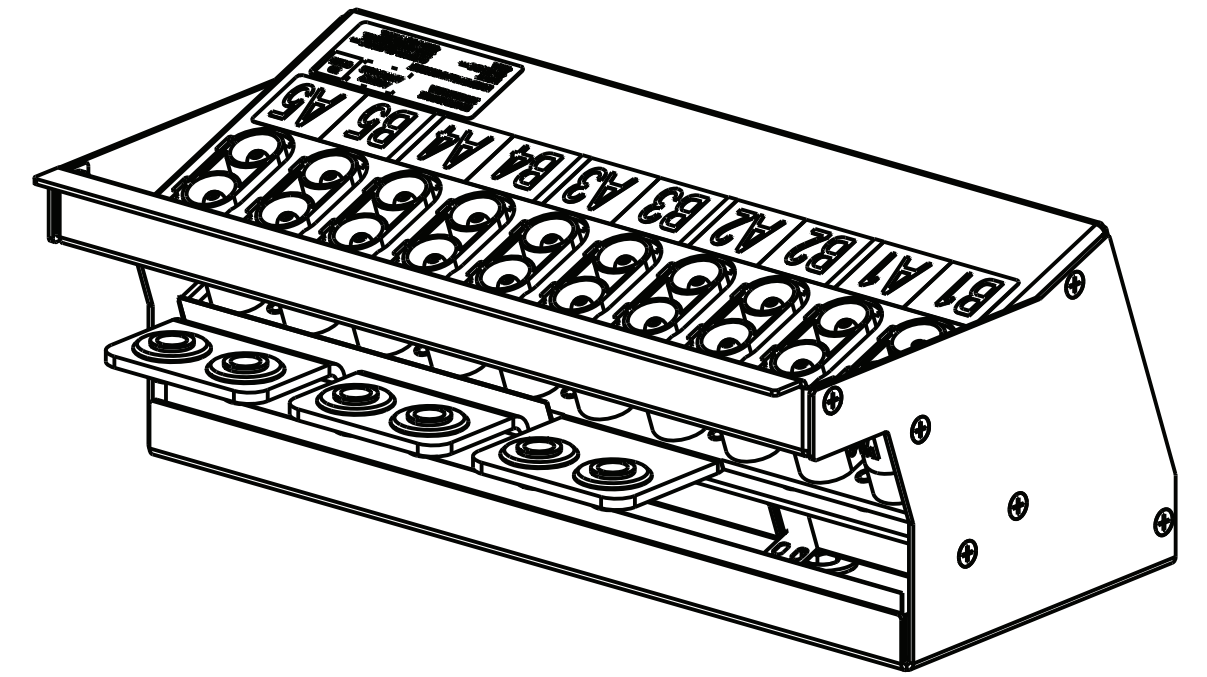
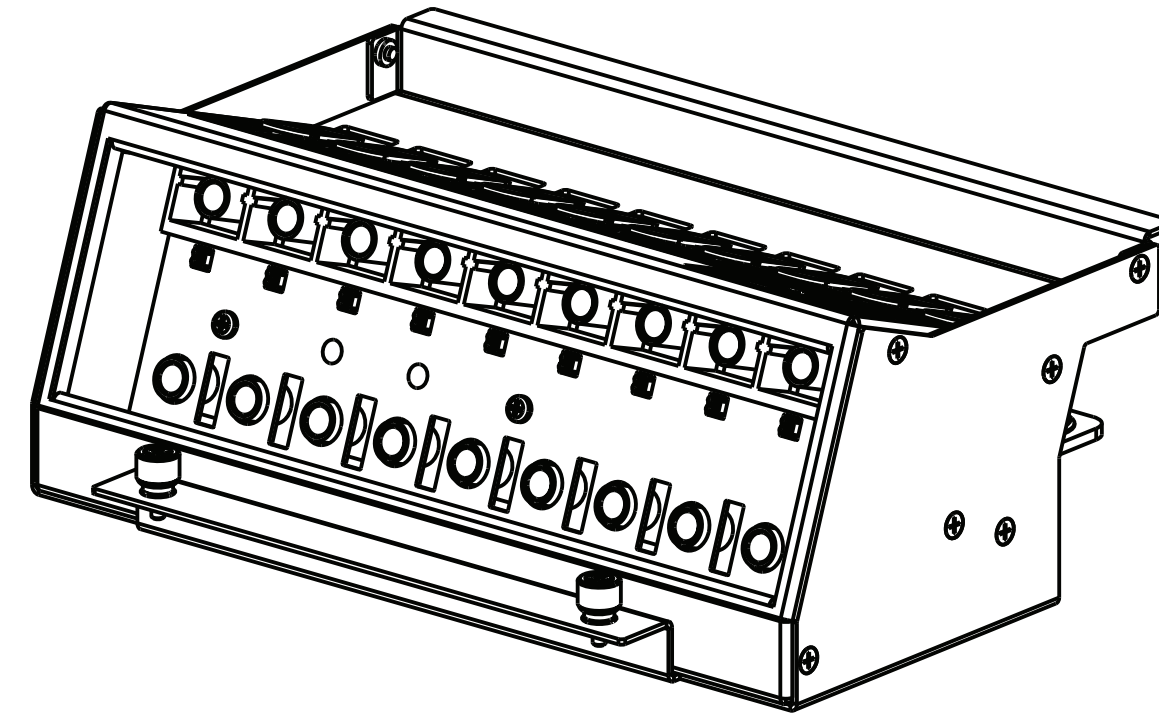
EDGE DISTRIBUTED POWER ARCHITECTURE PDUS

GROUP NUMBER	COMCODE	DESCRIPTION	BREAKER AMPACITY	PANEL AMPACITY	WEIGHT
G400	1600276419A	10 POSITION BULLET BREAKER PANEL - RED	10-100A	400A	8 LB / 3.7 KG
G401	1600213820A	10 POSITION BULLET BREAKER PANEL	10-100A	400A	8 LB / 3.7 KG
G402	1600274226A	10 POSITION BULLET BREAKER PANEL - BLUE	10-100A	400A	8 LB / 3.7 KG
G411	1600274227A	2 POSITION LARGE BULLET BREAKER PANEL	125A-250A	400A	8 LB / 3.7 KG
G420	1600250698A	10 POSITION BATTERY PANEL	N/A	600A (CONTINUOUS) 1000A (5 MIN)	8 LB / 3.7 KG
G421	1600274228A	10 POSITION BATTERY PANEL	N/A	600A (CONTINUOUS) 1000A (5 MIN)	8 LB / 3.7 KG
G422	1600274229A	10 POSITION BATTERY PANEL	N/A	600A (CONTINUOUS) 1000A (5 MIN)	8 LB / 3.7 KG

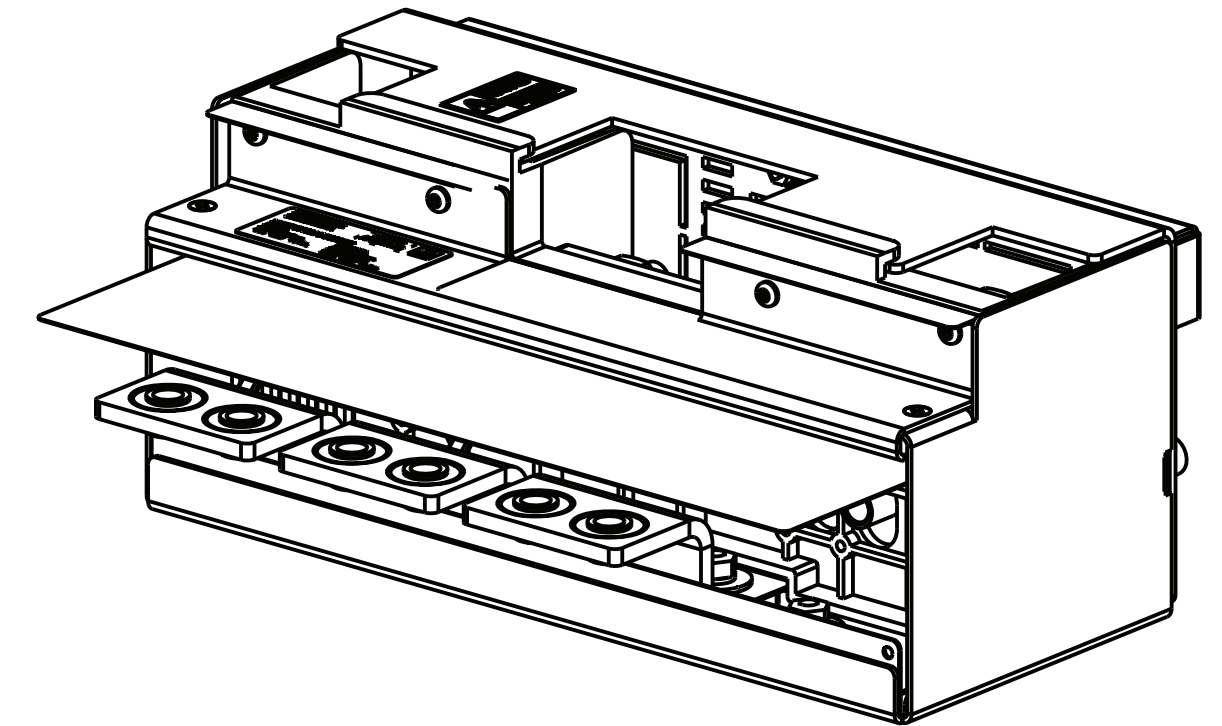
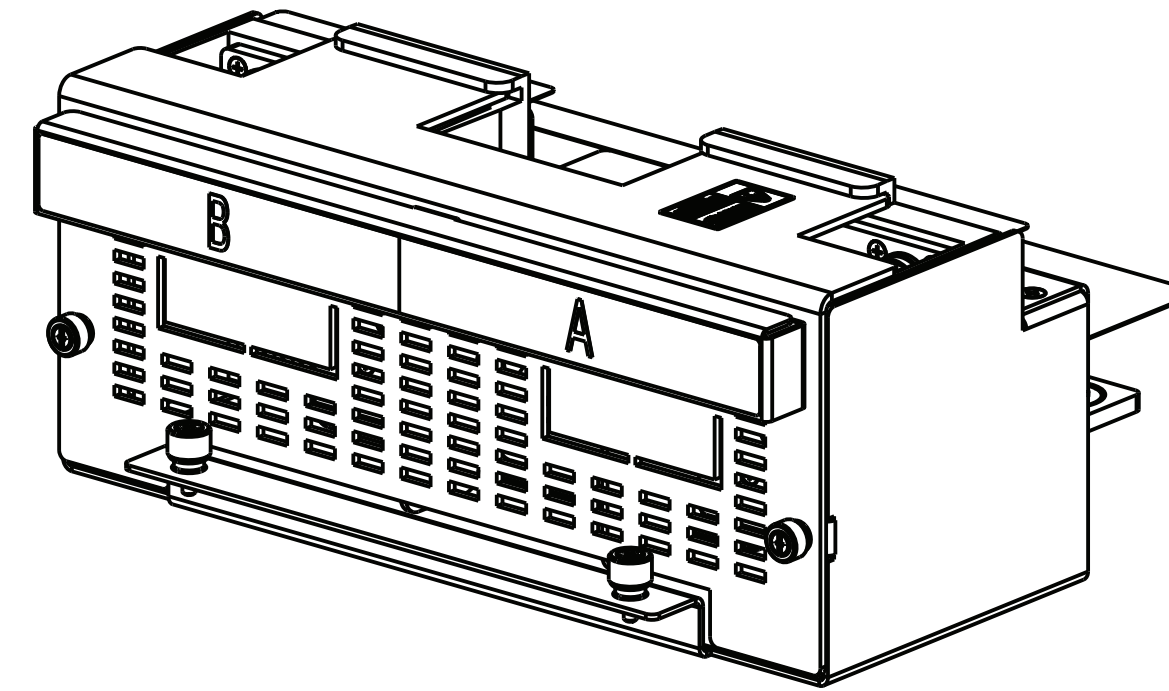
EDGE PDU BULLET BREAKERS

ORDERING CODE	AMPERAGE	CB POSITIONS (POLES)	MIN WIRE GAUGE	NOTES
407998137	3	1	10	
407998145	5	1	10	
407998152	10	1	10	
407998160	15	1	10	
407998178	16	1	10	
407998186	20	1	10	
407998194	25	1	10	
407998202	30	1	10	
408213486	40	1	8	
407998210	45	1	8	
407998228	50	1	6	
407998236	60	1	6	
407998244	70	1	2	
407998251	80	1	2	
407998269	90	1	2	
407998277	100	1	2	
CC848808551	100	2	2	
408185353	125	2	2	G411 ONLY
408185346	150	2	1/0	G411 ONLY
408564941	200	3	2/0	G411 ONLY
CC408573975	225	3	4/0	G411 ONLY
408535752	250	3	4/0	G411 ONLY

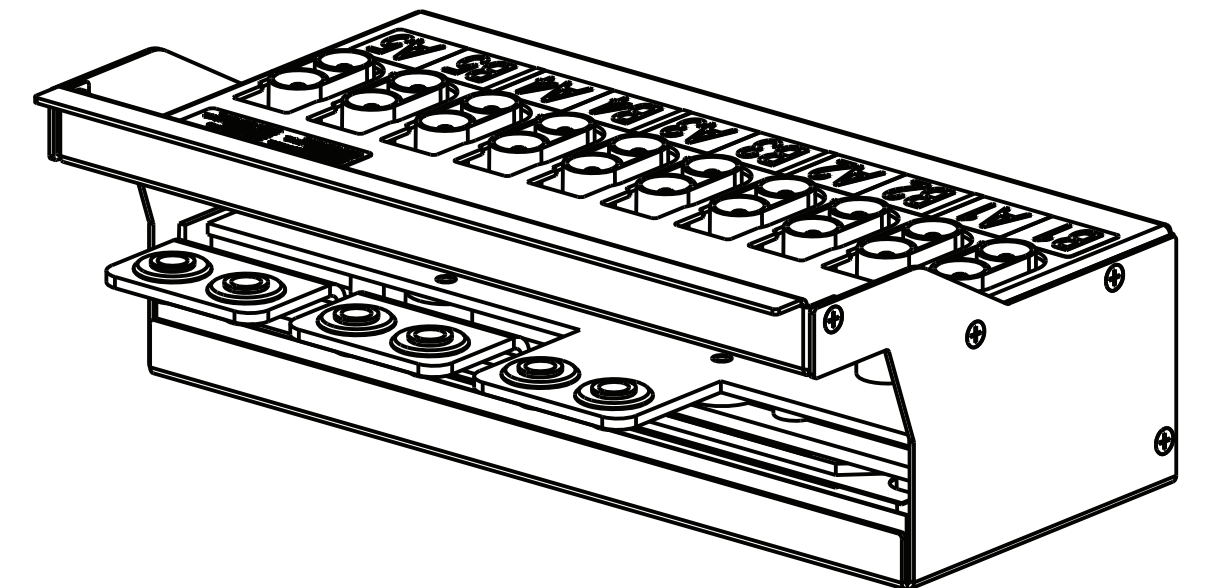
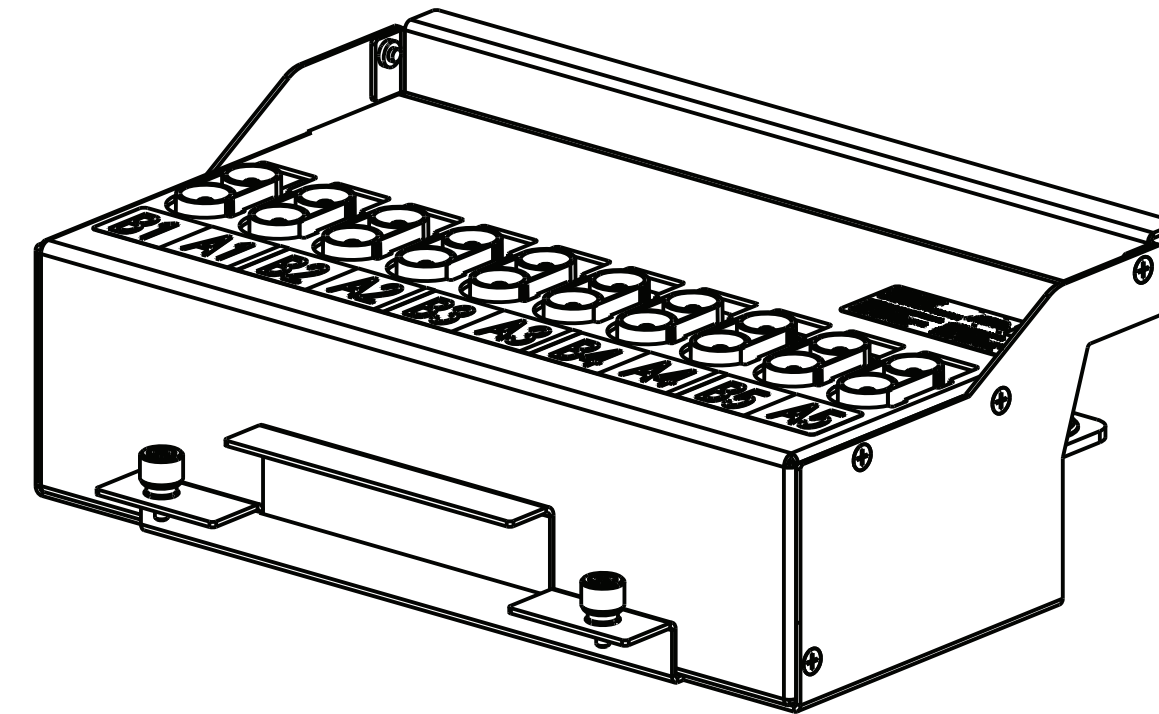
G401



G411



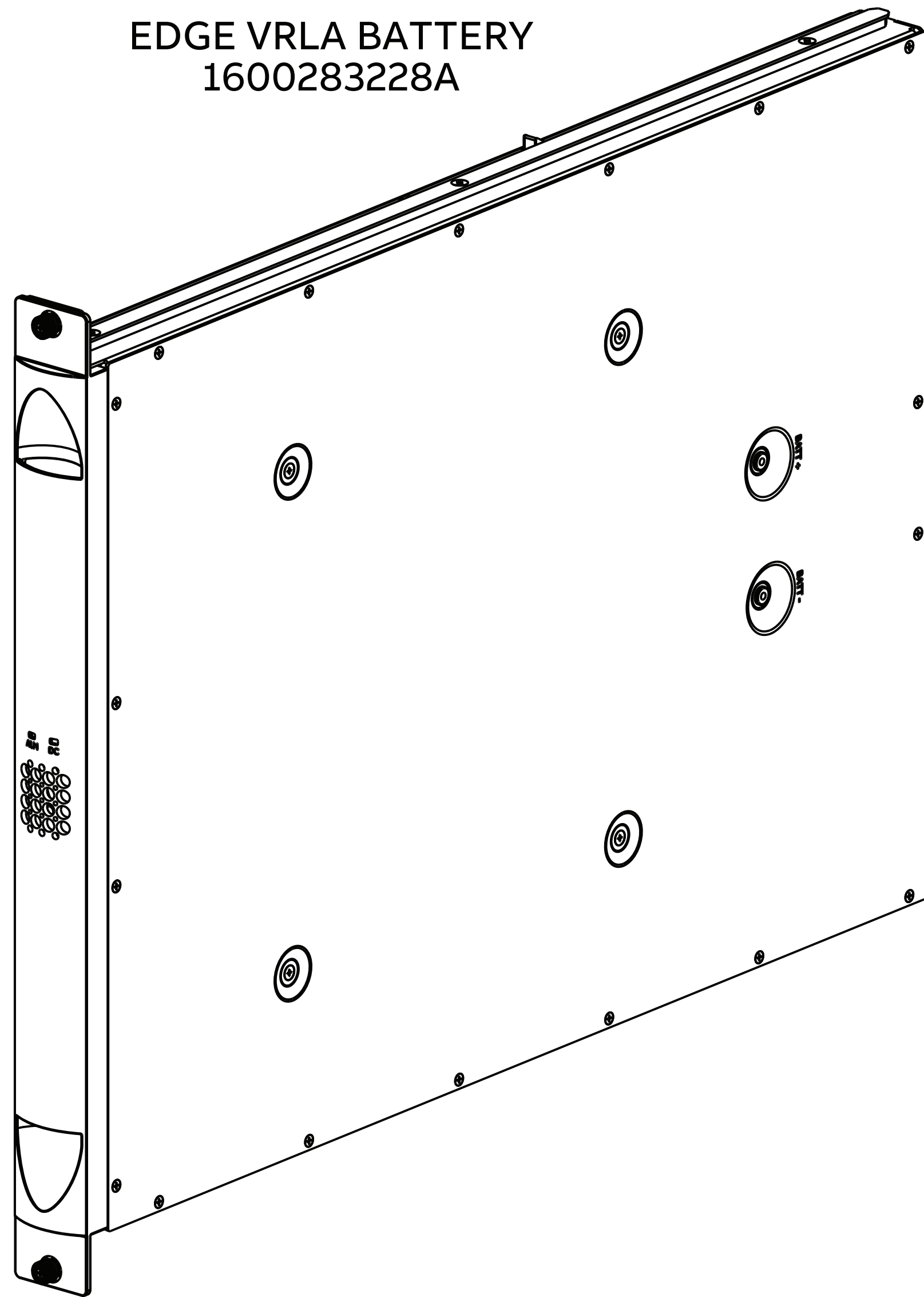
G420



Copyright© 2020 ABB
All rights reserved
We reserve all rights in this document and in the subject matter and illustrations contained therein. Any reproduction, disclosure to third parties or utilization of its contents - in whole or in parts - is forbidden without prior written consent of ABB. We reserve the right to make technical changes or modify the contents of this document without prior notice. ABB does not accept any responsibility whatsoever for potential errors or possible lack of information in this document. All other trademarks are the property of their respective owners.

ABB PROPRIETARY INFORMATION		
THIRD ANGLE PROJECTION		
TITLE / DESCRIPTION		
EDGE PDU PANELS		
SIZE	PART NUMBER	REV.
B	EDGE DISTRIBUTED POWER ARCHITECTURE	1

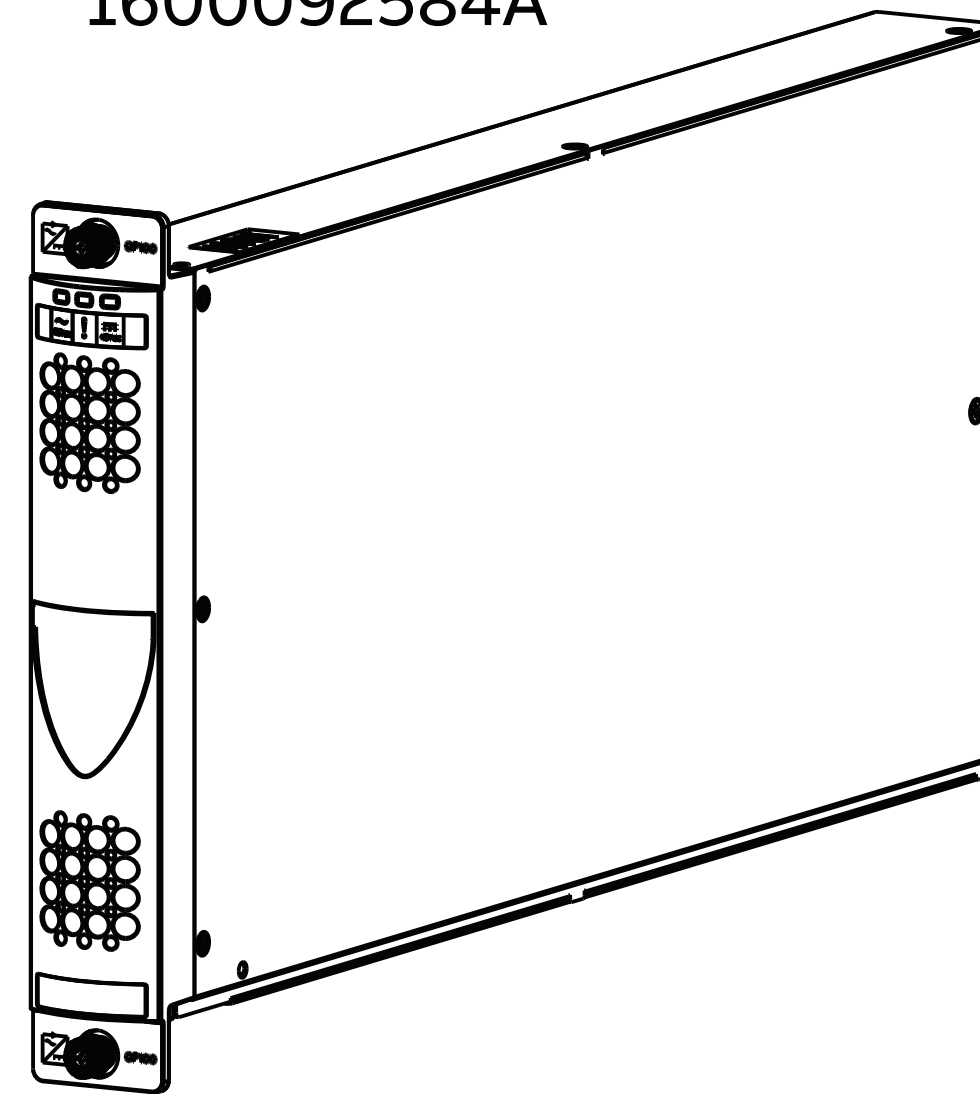
EDGE VRLA BATTERY
1600283228A



EDGE BATTERY SPECIFICATIONS	
OPERATING RANGE	36-54.5VDC
1 MIN DISCHARGE POWER	3810W
2 MIN DISCHARGE POWER	3177W
5 MIN DISCHARGE POWER	1863W
10 MIN DISCHARGE POWER	1167W
15 MIN DISCHARGE POWER	815W
WEIGHT	42.9 lbs / 19.5kg

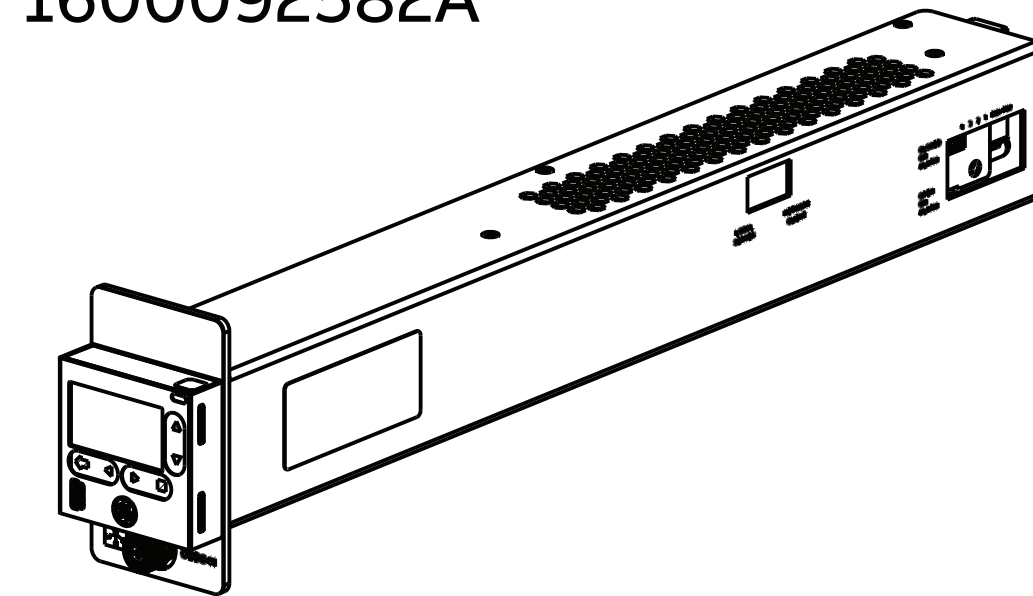
EDGE PLUG IN MODULES

EDGE RECTIFIER
1600092584A



EDGE RECTIFIER SPECIFICATIONS	
INPUT VOLTAGE RANGE	320-530VAC
INPUT CURRENT RANGE	10A @ 380VAC, 8A @ 480VAC
INPUT FREQUENCY	47 - 66Hz
OUTPUT VOLTAGE RANGE	42-59VDC
OUTPUT CURRENT/POWER	110A @ 54.5VDC; 125A @ 48VDC
WEIGHT	8.95 kg
THERMAL OUTPUT	242W / 826 BTU/hr

EDGE CONTROLLER
1600092582A



Copyright© 2020 ABB
All rights reserved
We reserve all rights in this document and in the subject matter and illustrations contained therein. Any reproduction, disclosure to third parties or utilization of its contents - in whole or in parts - is forbidden without prior written consent of ABB. We reserve the right to make technical changes or modify the contents of this document without prior notice. ABB does not accept any responsibility whatsoever for potential errors or possible lack of information in this document. All other trademarks are the property of their respective owners.

ABB PROPRIETARY INFORMATION		
THIRD ANGLE PROJECTION		
TITLE / DESCRIPTION		
EDGE PLUG IN MODULES		
SIZE	PART NUMBER	REV.
B	EDGE DISTRIBUTED POWER ARCHITECTURE	1

8FT EDGE CABINET OPTIONAL DOOR AND SIDE PANEL GROUPS

EDGE CABG030 - 1600264823A
8FT EDGE DOOR GROUP
(INCLUDES THE NECESSARY PARTS
TO INSTALL ONE DOOR)



EDGE CABG053 - 1600299945A
8FT EDGE SIDE PANELS
(INCLUDES THE NECESSARY PARTS
TO INSTALL TWO SIDE PANELS)

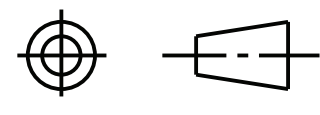

7FT EDGE CABINET OPTIONAL DOOR AND SIDE PANEL GROUPS

EDGE CABG031 - 1600297777A
7FT EDGE DOOR GROUP
(INCLUDES THE NECESSARY PARTS
TO INSTALL ONE DOOR)



EDGE CABG052 - 1600297779A
7FT EDGE SIDE PANELS
(INCLUDES THE NECESSARY PARTS
TO INSTALL TWO SIDE PANELS)

Copyright© 2020 ABB
All rights reserved
We reserve all rights in this document and in the subject matter and illustrations contained therein. Any reproduction, disclosure to third parties or utilization of its contents - in whole or in parts - is forbidden without prior written consent of ABB. We reserve the right to make technical changes or modify the contents of this document without prior notice. ABB does not accept any responsibility whatsoever for potential errors or possible lack of information in this document. All other trademarks are the property of their respective owners.

ABB PROPRIETARY INFORMATION		
THIRD ANGLE PROJECTION		
		
TITLE / DESCRIPTION		
EDGE DOOR AND SIDE PANEL OPTIONS		
SIZE	PART NUMBER	REV.
B	EDGE DISTRIBUTED POWER ARCHITECTURE	1
SHEET 12 OF 12		