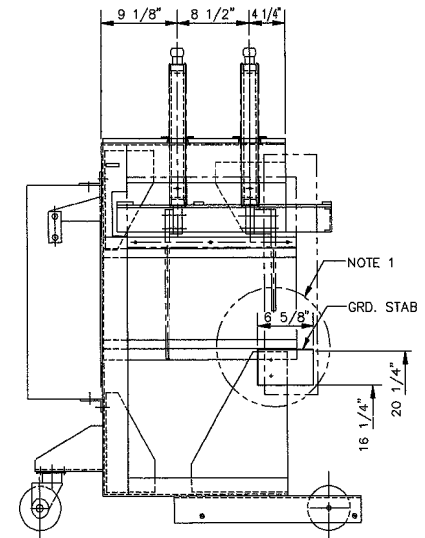
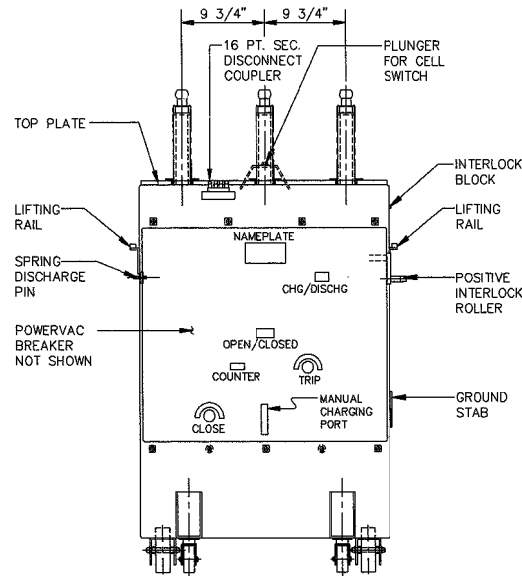
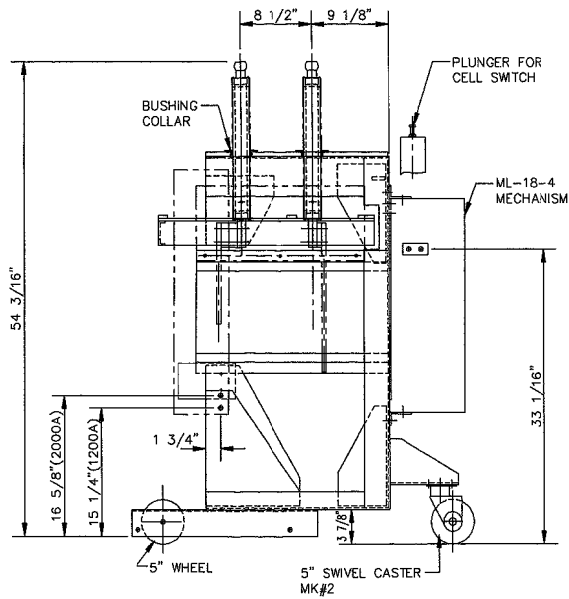
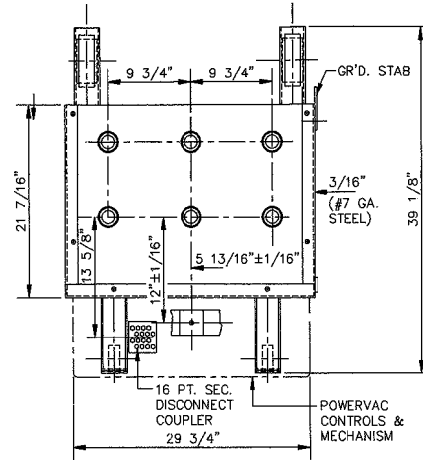


REVISIONS			
REV	DESCRIPTION	DATE	APPROVED

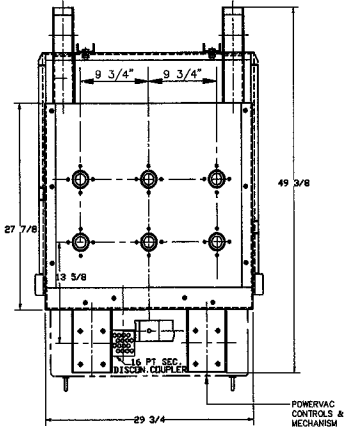
**NOTES:**

- GROUND CONTACT AREA.  
(VERTICALLY SLIDING CONNECTION)
- TOTAL WEIGHT = 850 LBS. 1200A  
TOTAL WEIGHT = 900 LBS. 2000A



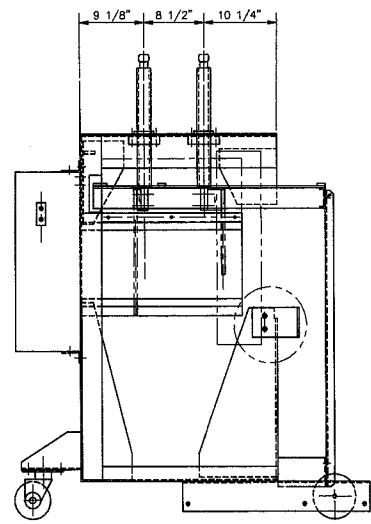
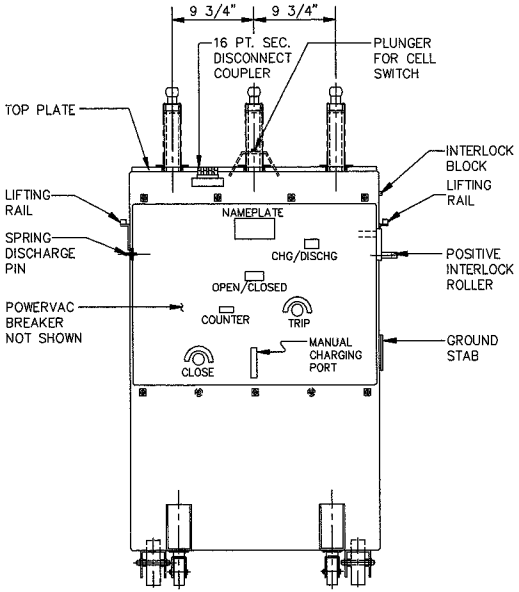
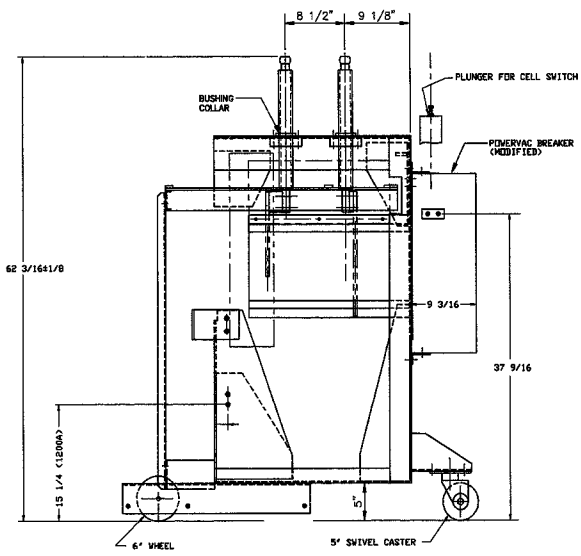
UNLESS OTHERWISE SPECIFIED	SIGNATURES	DATE	<b>GE ED&amp;C</b> BURLINGTON, VA
DIMENSIONS ARE IN INCHES TOLERANCES ON: 2 PL. DECIMALS ± .020 3 PL. DECIMALS ± .010 ANGLES ± 1' FRACTIONS ±	DRAWN: D.L.W. CHECKED: M.J.H. ENGR: DESG: I.E.	03/23/95 03/23/95	
	DRAWING FILE	SIZE	TITLE: POWERVAC/VL 13.8-500/13.8-750 OUTLINE DRAWING FIRST MADE FOR M36 M36HN DWG NO. 0144D1375 CONT ON SH 2 SH NO 1
	REFERENCE FILE		

REVISIONS			
REV	DESCRIPTION	DATE	APPROVED



**NOTES:**

- 1- GROUND CONTACT AREA. (VERTICALLY SLIDING CONNECTION)
- 2- TOTAL WEIGHT=990LBS. 1200A
- TOTAL WEIGHT=950LBS. 2000A

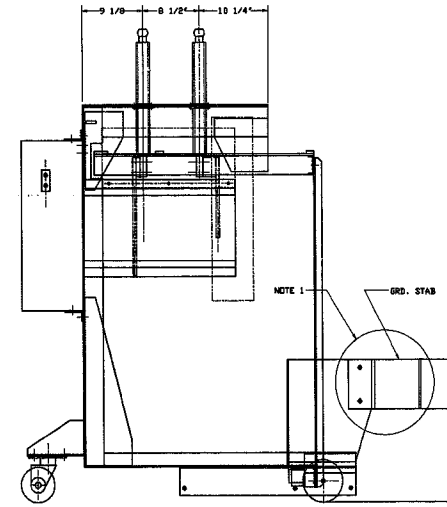
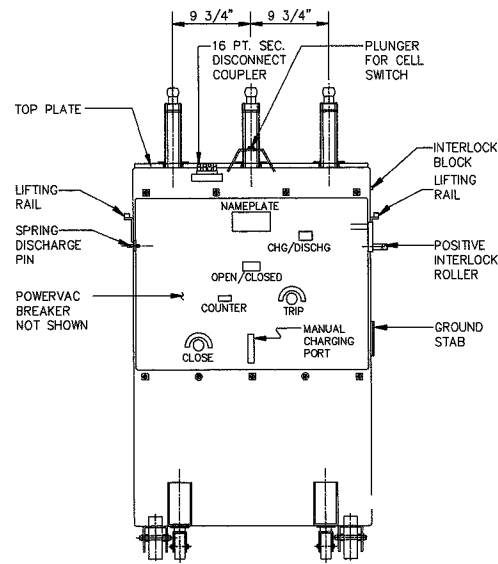
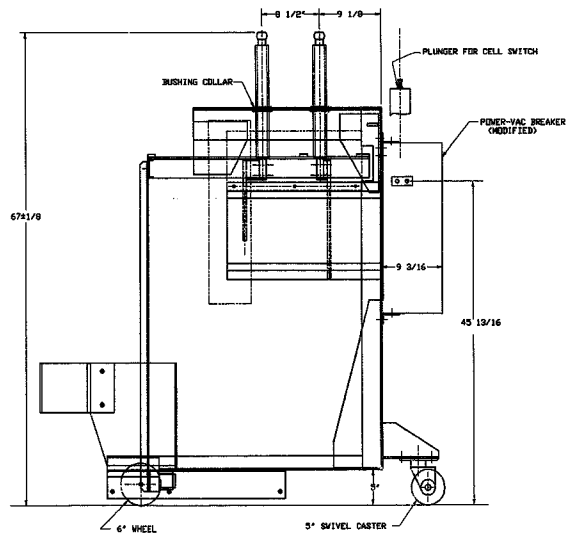
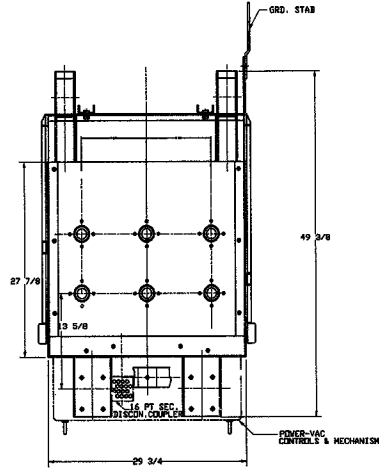


UNLESS OTHERWISE SPECIFIED: DIMENSIONS ARE IN INCHES TOLERANCES OR: 2 PL. DECIMALS ± .020 3 PL. DECIMALS ± .010 ANGLES ± 1 FRACTIONS ±	SIGNATURES	DATE	<b>GE ED&amp;C</b> (BURLINGTON, IA) TITLE: POWERVAC/VL 13.8-750/13.8-1000 OUTLINE DRAWING
DRAWING FILE	SIZE	FIRST MADE FOR M38H	DWG NO
REFERENCE FILE	D		014401375
			CONT ON SH 3 SH NO 2

REVISIONS			
REV	DESCRIPTION	DATE	APPROVED

NOTES:

1- GROUND CONTACT AREA.  
(VERTICALLY SLIDING CONNECTION)  
TOTAL WEIGHT 950 LBS 1200A  
TOTAL WEIGHT 1000 LBS 2000A



UNLESS OTHERWISE SPECIFIED	SIGNATURES	DATE	 <b>GE ED&amp;C</b> BURLINGTON, IA
DIMENSIONS ARE IN INCHES	DRAWN: D.L.K.	03/23/29	
TOLERANCES ON:	CHECKED: M.H.H.	03/23/29	
2 PL. DECIMALS ± .020	INSPD:		
3 PL. DECIMALS ± .010	ISSUED:		
ANGLES ± 1	U.E.		TITLE: POWERVAC/VL 13.8-1000 OUTLINE DRAWING FIRST MADE FOR M-366H
FRACCTIONS ±	D.A.		SIZE: D DWG NO: 0144D1375 REFERENCE FILE:
			CONT ON SH 4 SH NO 3