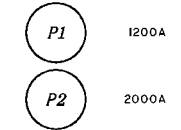
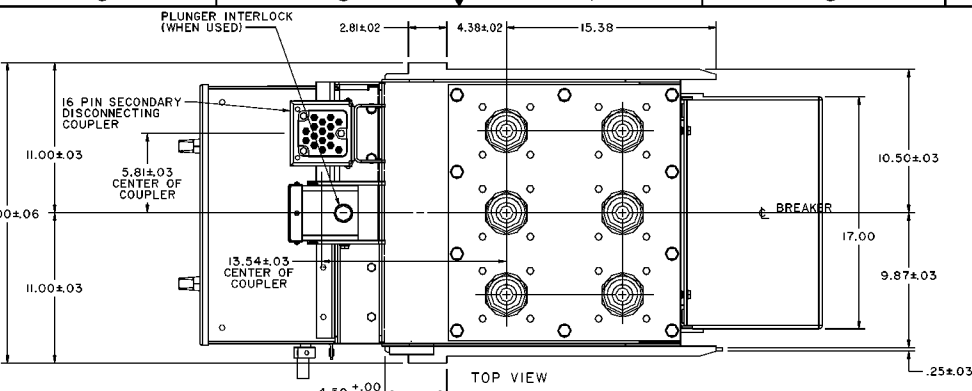
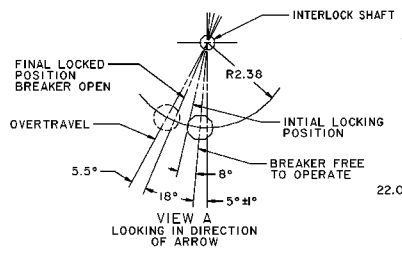


T96D4037		REVISONS	
REV	DESCRIPTION	DATE	APPROVED
I	RELEASED TO PRODUCTION	DLE 09/03/99	

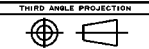
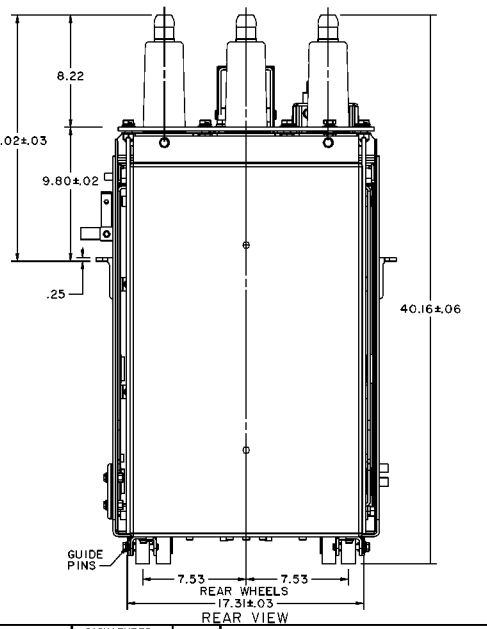
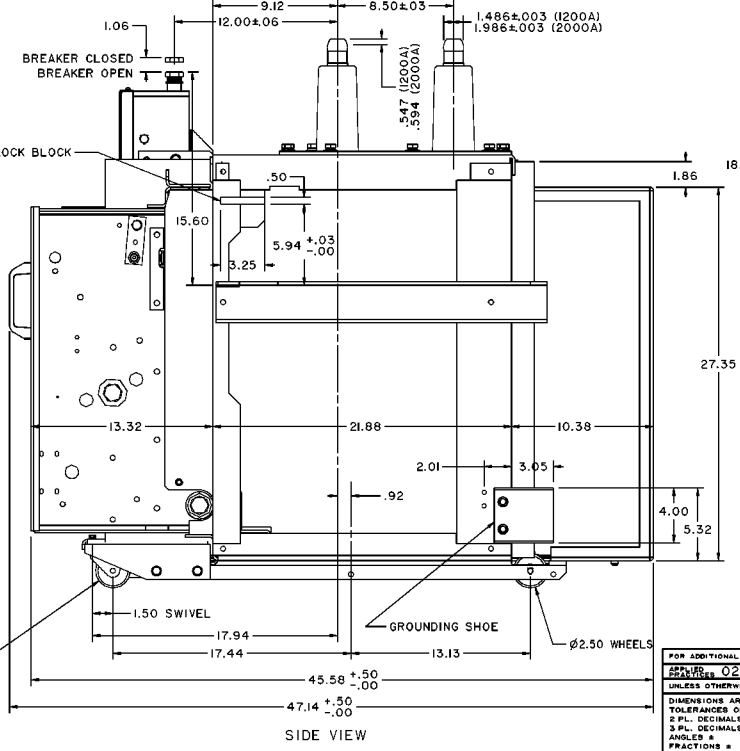
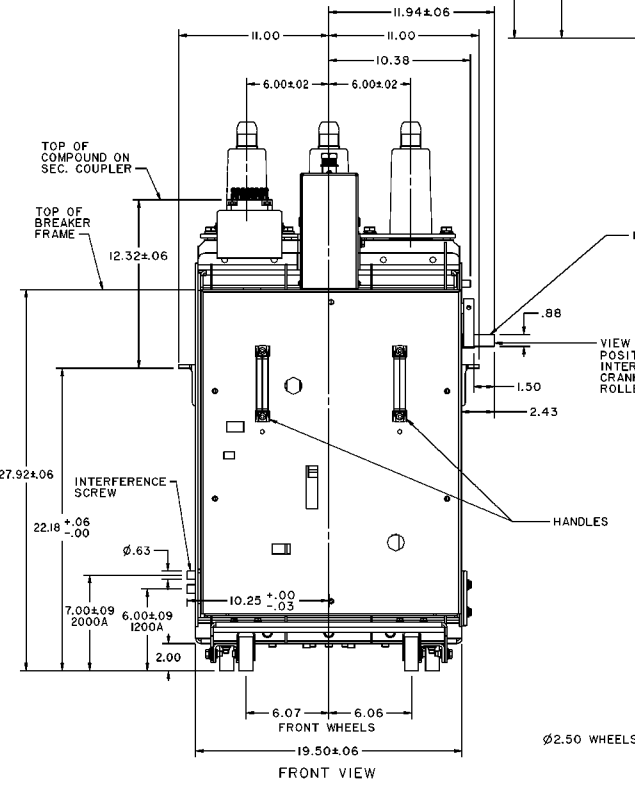
8 7 6 5 4 3



C

B

A



GE (USA) CONFIDENTIAL AND PROPRIETARY
 THIS DOCUMENT CONTAINS PROPRIETARY AND CONFIDENTIAL INFORMATION OF GE. NO PART OF THIS DOCUMENT IS TO BE REPRODUCED OR TRANSMITTED IN ANY FORM OR BY ANY MEANS, ELECTRONIC OR MECHANICAL, INCLUDING PHOTOCOPYING, RECORDING, OR BY ANY INFORMATION STORAGE AND RETRIEVAL SYSTEM, WITHOUT THE WRITTEN PERMISSION OF GE. SUCH INFORMATION SHALL BE RETURNED ON REQUEST.

FOR ADDITIONAL INFO REFER TO SPECIFICATION 0282A3025	SIGNATURES DRAWN DLE	DATE 09/03/99	GE INDUSTRIAL SYSTEMS
UNLESS OTHERWISE SPECIFIED DIMENSIONS ARE IN INCHES TOLERANCES ON: 2 PL. DECIMALS ± 3 PL. DECIMALS ± ANGLES ± FRACTIONS ±	CHECKED		
	ISSUED		FIRST MADE FOR ML-19 PVVLI
	REFERENCE		DWG NO 196D4037
CADDSS GENERATED	CRITICAL TO QUALITY CHARACTERISTIC	SCALE	P.L. Issued CONT ON FINAL

8 7 6 5 4 3

800

196D4037

A