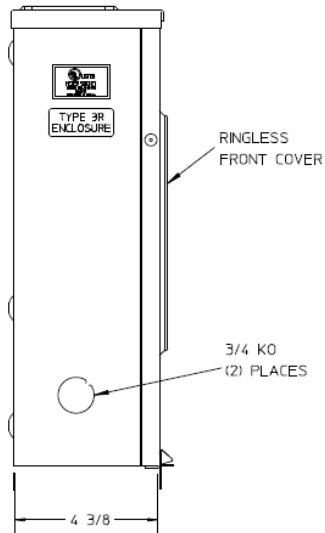
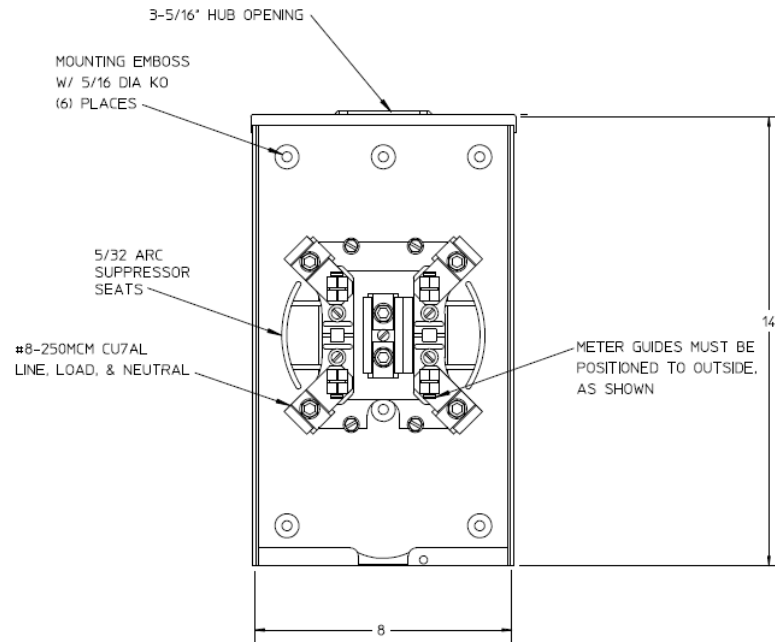


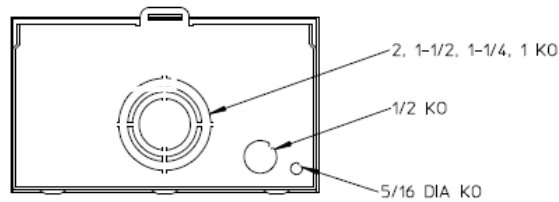
Left Side View



Front View Interior



Bottom View



Notes

- 1) FINISH: GRAY
- 2) CABINET: 16 GA GALV. STEEL
- 3) 200 AMP CONTINUOUS
600VAC, 1 PHASE, 3-WIRE
- 4) GE LABEL ATTACHED TO THE END OF THE CARTON
- 5) GE LOGO LOCATED IN THE LOWER LEFT-HAND CORNER OF THE FRONT
- 6) TEMPORARY CARDBOARD METER OPENING COVER PROVIDED
- 7) SAFETY LABEL IS LOCATED ON THE LOWER RIGHT-HAND CORNER OF THE FRONT



METER SOCKET-(1) 200A 600V 1P3W G90 N3R 4-TERM
SMALL HUB OPNG TOP/BOT FEED DECO APPROVED

CAT NO	DWG DATE	REV #
1004709DGE	04/15/2016	02