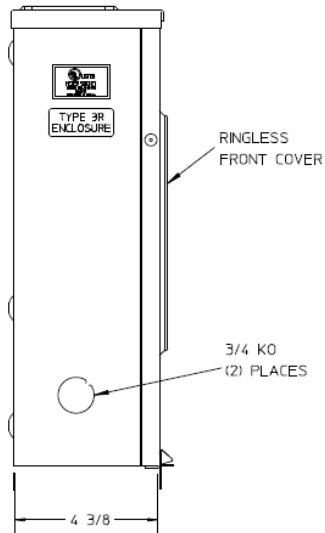
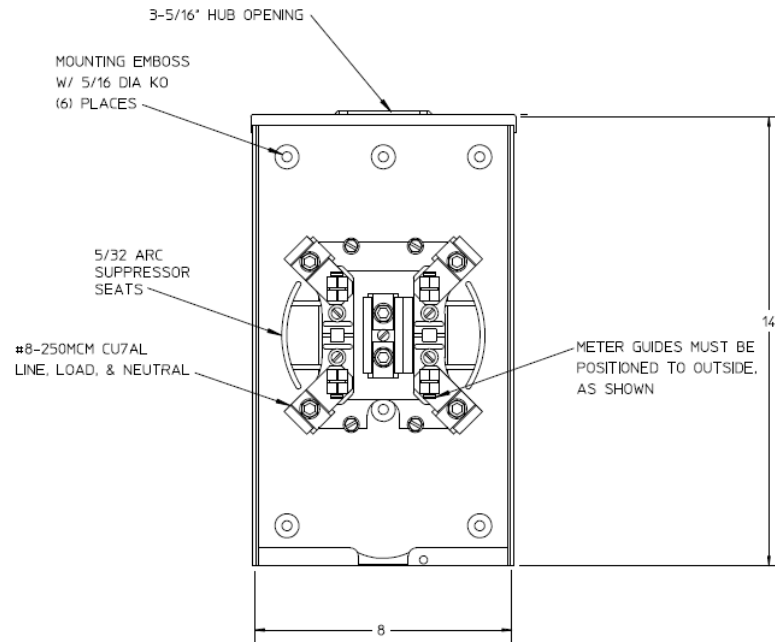


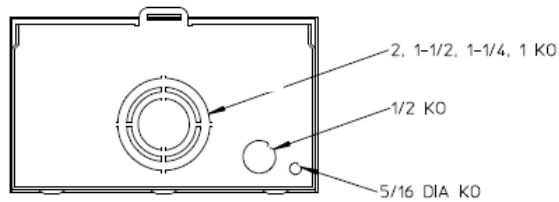
### Left Side View



### Front View Interior



### Bottom View



### Notes

- 1) FINISH: GRAY
- 2) CABINET: 16 GA. G90 GALV. STEEL
- 3) 200 AMP CONTINUOUS, 600 V.A.C., 1 PHASE, 3 WIRE
- 4) SAFETY LABEL IS LOCATED ON THE LOWER RIGHT-HAND CORNER OF THE FRONT.
- 5) MIDWEST LABEL ATTACHED TO THE END OF THE CARTON.
- 6) TEMPORARY CARDBOARD METER OPENING COVER PROVIDED.
- 7) MIDWEST LOGO LOCATED IN THE LOWER LEFT-HAND CORNER OF THE FRONT.



METER SOCKET--(1) 200A 600V 1P3W G90 N3R 4-TERM SMALL HUB OPNG TOP/BOT FEED DECO APPROVED

CAT NO	DWG DATE	REV #
1004709DMEP	04/15/2016	02