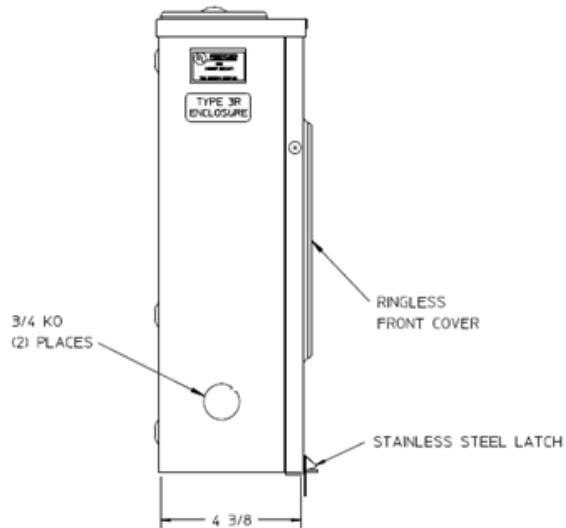
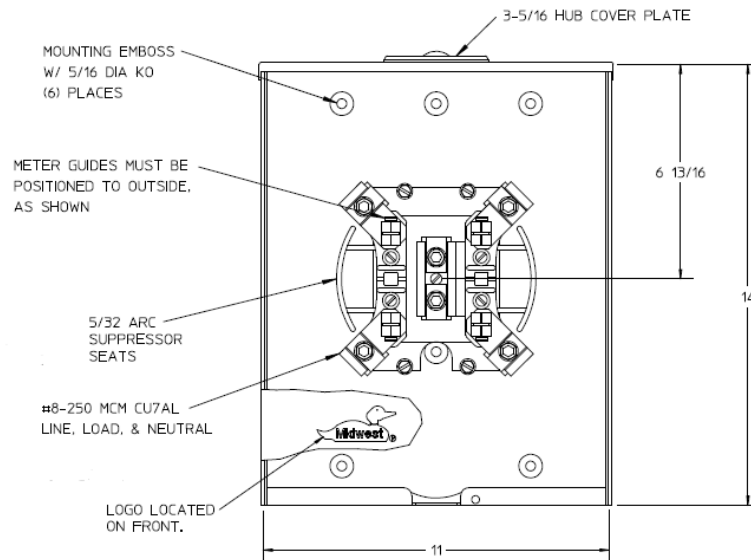


### Left Side View



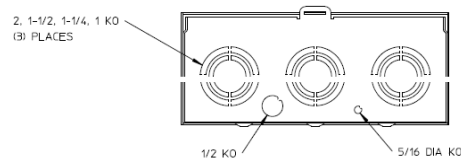
### Front View Interior




### Notes

- 1) FINISH: GRAY
- 2) CABINET: 16 GA GALV. STEEL
- 3) 200 AMP CONTINUOUS  
600 V.A.C., 1 PHASE, 3 WIRE
- 4) MIDWEST LABEL ATTACHED TO THE END OF CARTON
- 5) TEMPORARY CARDBOARD METER OPENING COVER PROVIDED
- 6) MIDWEST LOGO STAMPED ON LOWER LEFT-HAND CORNER OF FRONT
- 7) SAFETY LABEL IS LOCATED ON THE LOWER RIGHT-HAND CORNER OF THE FRONT.
- 8) REFERENCE PLUG-IN 5TH TERMINAL KIT ARP00035-MEP.

### Bottom View





METER SOCKET-(1) 200A 600V 1P3W G90 N3R 4-TERM  
SMALL HUBCVRPLT TOP/BOT FEED DECO APPROVED

CAT NO	DWG DATE	REV #
1004710EMEP	04/15/2016	02