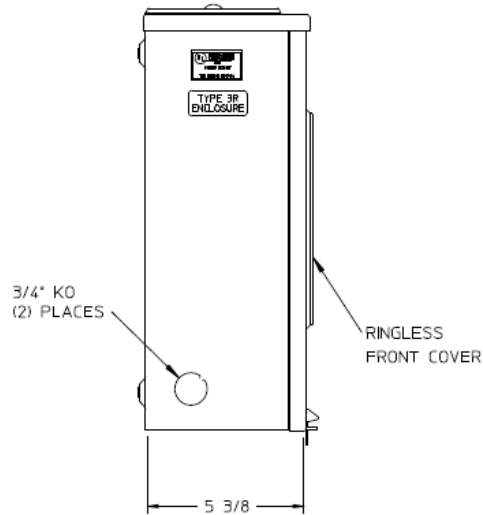
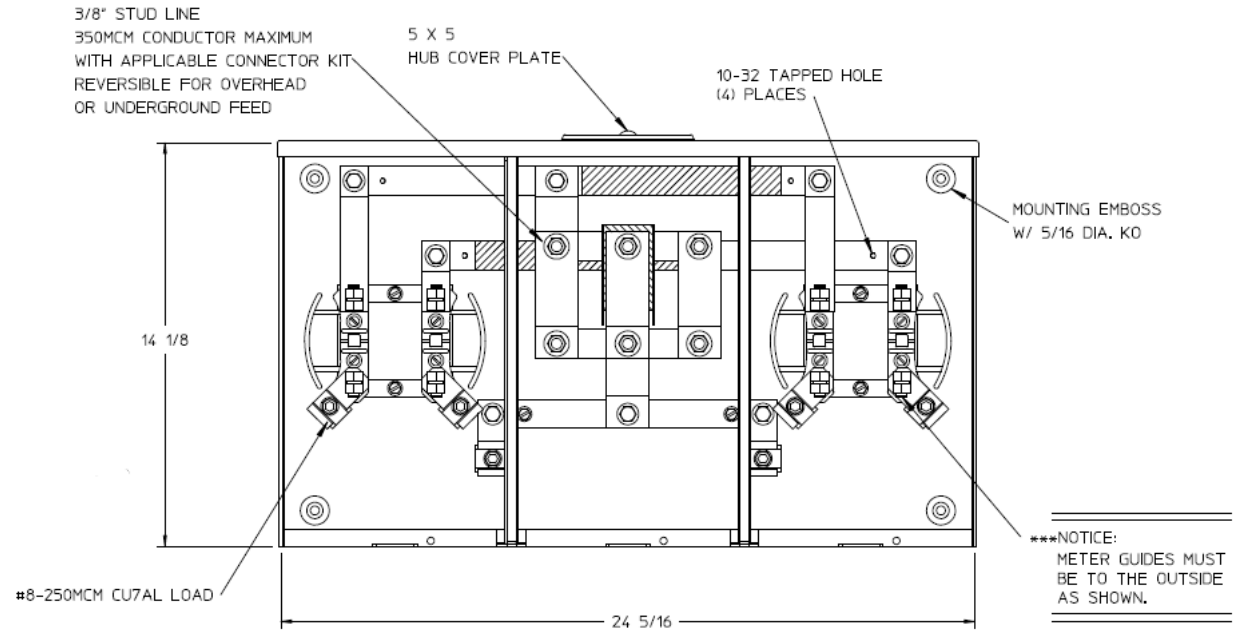


Left Side View



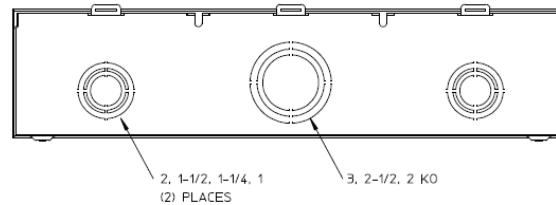
Front View Interior



Notes

- 1) FINISH: GRAY
- 2) CABINET: 16 GA GALV. STEEL
- 3) 200 AMP CONTINUOUS PER POSITION
600VAC, 1 PHASE, 3-WIRE
250A AMP CONTINUOUS (TOTAL) UNIT RATING
- 4) TEMPORARY CARDBOARD METER OPENING COVER PROVIDED
- 5) GE LABEL ATTACHED TO THE END OF THE CARTON
- 6) GE LOGO LOCATED IN THE LOWER LEFT-HAND CORNER OF THE FRONT
- 7) SAFETY LABEL IS LOCATED ON THE LOWER RIGHT-HAND CORNER OF ALL FRONTS

Bottom View



HORIZ GANGED METER SKTS- (2) 200A 600V 1P3W G90
N3R 4-TERM LARGE HUB COVER PLT CENTER FEED

CAT NO	DWG DATE	REV #
1006737BGE	04/15/2016	02