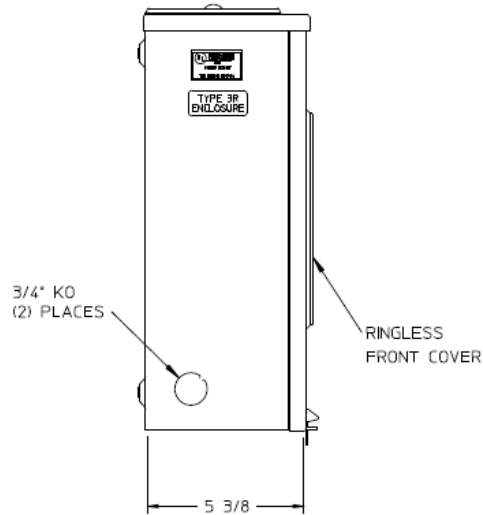
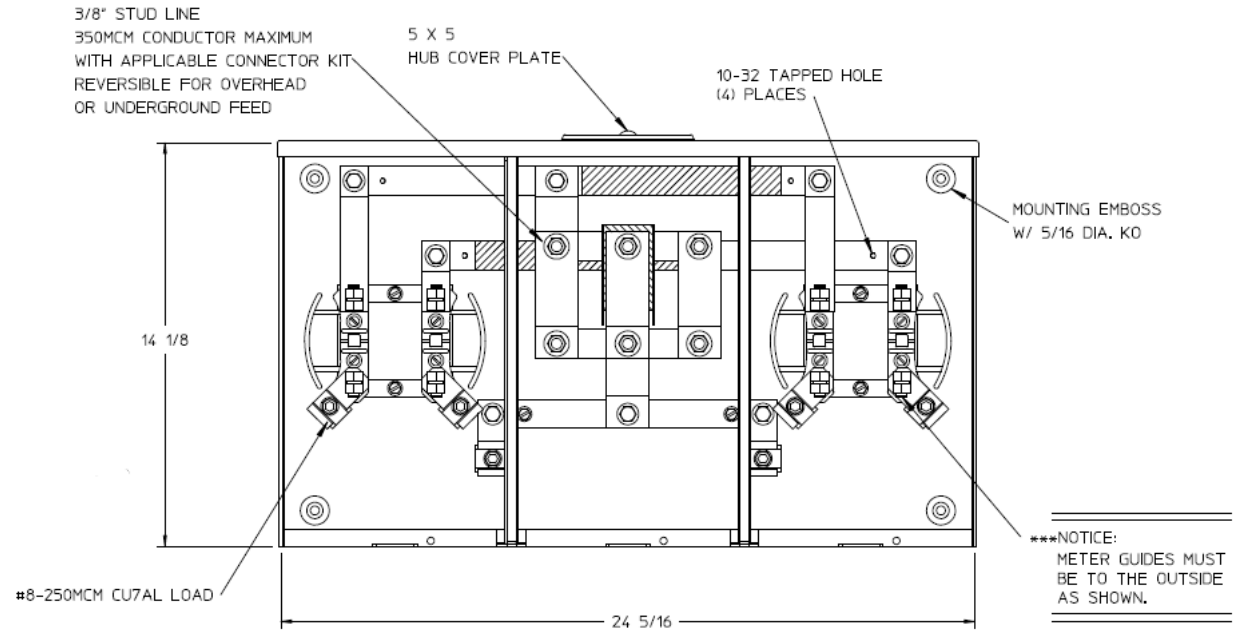


Left Side View



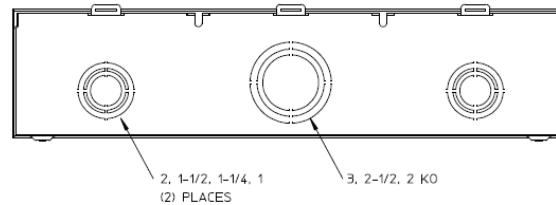
Front View Interior



Notes

- 1) FINISH: GRAY
- 2) CABINET: 16 GA G90 GALV. STEEL
- 3) 200 AMP CONTINUOUS PER POSITION
600 VAC, 1 PHASE, 3 WIRE
250 AMP CONTINUOUS (TOTAL) UNIT RATING
- 4) TEMPORARY CARDBOARD METER OPENING
COVER PROVIDED.
- 5) MIDWEST LABEL ATTACHED TO THE END
OF THE CARTON.
- 6) MIDWEST LOGO LOCATED IN LOWER LEFT
HAND CORNER OF THE FRONT.
- 7) SAFETY LABEL IS LOCATED ON THE
LOWER RIGHT-HAND CORNER OF ALL FRONTS

Bottom View



HORIZ GANGED METER SKTS- (2) 200A 600V 1P3W G90
N3R 4-TERM LARGE HUB COVER PLT CENTER FEED

CAT NO	DWG DATE	REV #
1006737BMEP	04/15/2016	02