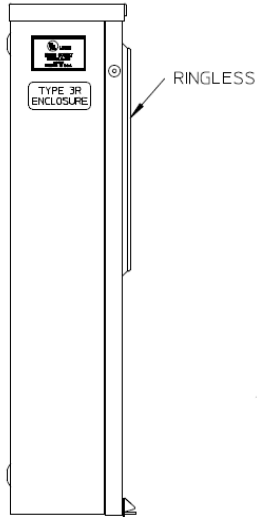
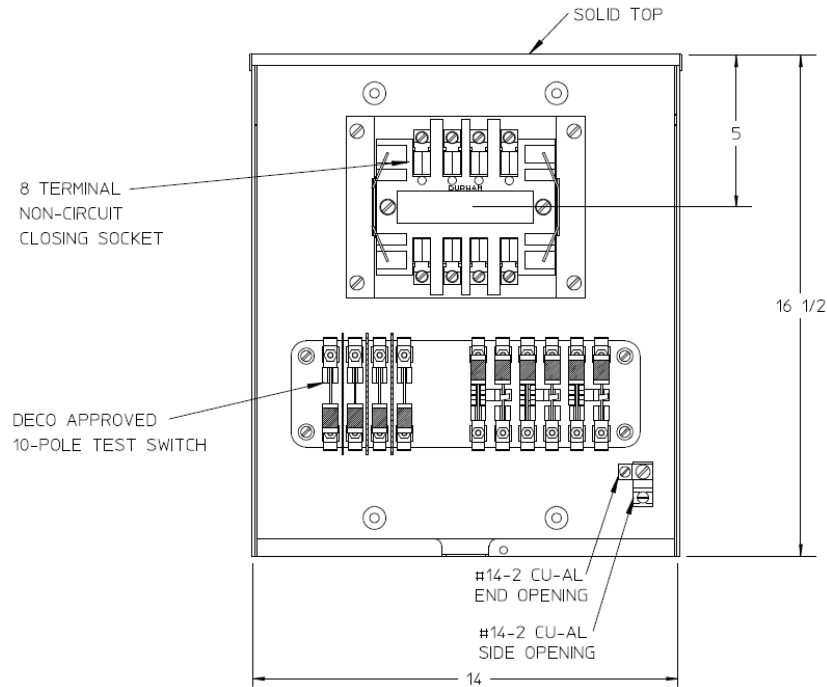


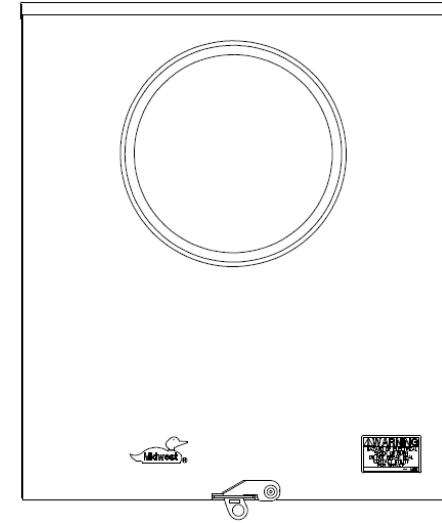
Side View



Front View



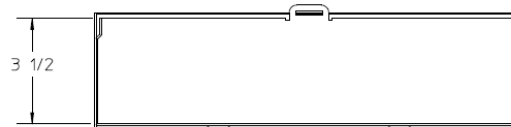
Front Cover



Notes

1. PAINT: GRAY
2. FABRICATED FROM 16 GAUGE G90 GALVANIZED STEEL
3. 20 AMP CONTINUOUS, 600 VAC, 1 PHASE, 3-WIRE
4. WIRED PER DECO SPECIFICATIONS WITH CONTINUOUS LOOP NEUTRAL WIRING.
5. UNIT IS SUPPLIED WITH TEMPORARY CARDBOARD METER OPENING COVER.
6. MIDWEST LABEL ATTACHED TO THE END OF THE CARTON.
7. MIDWEST LOGO STAMPED ON LOWER LEFT HAND CORNER OF FRONT.
8. SAFETY LABEL IS LOCATED ON THE LOWER RIGHT-HAND CORNER OF THE FRONT
9. EACH TEST SWITCH CONNECTION STUD IS SUPPLIED WITH:
 - (1) 10-32 X 1/2 WAF X 5/16 THK HEX FLANGE NUT.
 - (1) 10-32 X 1/2 WAF X 3/16 THK HEX NUT.
 - (2) 1/2" SQ WASHERS WITH 7/32" HOLE.'

Bottom View



METER SOCKET – (1) 20A 600V RGLSS 1P3W 8-TERM N3R SOLID TOP 10P G90 DECO TEST SWITCH BOT FEED

CAT NO	DWG DATE	REV #
1007361CMEP	02/09/2016	01