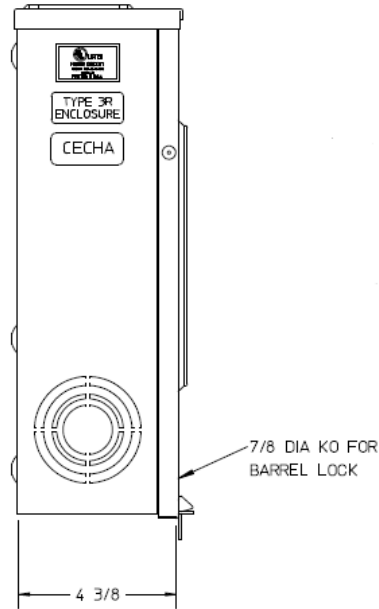
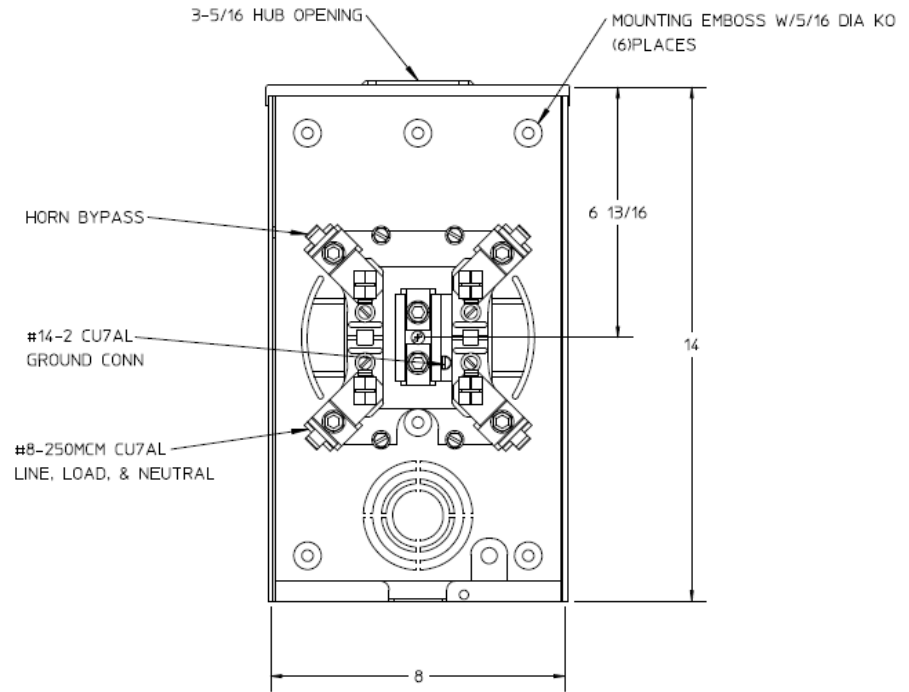


Left Side View



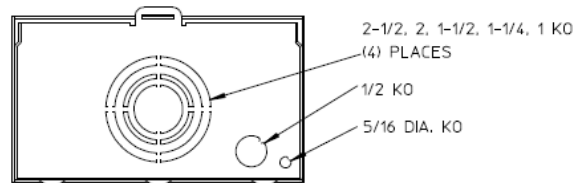
Front View Interior




Notes

- 1) PAINT: GRAY
- 2) CABINET: 16 GA GALV STEEL
- 3) 200 AMP CONTINUOUS, 600 VAC, 1 PHASE, 3 WIRE
- 4) GE LABEL ATTACHED TO THE END OF THE CARTON
- 5) TEMPORARY CARDBOARD METER OPENING COVER PROVIDED
- 6) GE LOGO STAMPED ON LOWER LEFT HAND CORNER OF THE FRONT
- 7) FOR BROOKS OR INNER-TITE STANDARD LENGTH BARREL LOCK IN CONJUNCTION WITH BROOKS LOCK GUARDS # 865 OR # 86505 WITH A PERMANENTLY WELDED BRACKET

Bottom View



		
METER SKT-(1) 200A 600V 1P3W G90 N3R HRN BYP 4-TERM SMALL HUB OPN AEP BARREL LK TOP/BOT FEED TPLX GRD		
CAT NO	DWG DATE	REV #
1007665AGE	04/25/2016	02