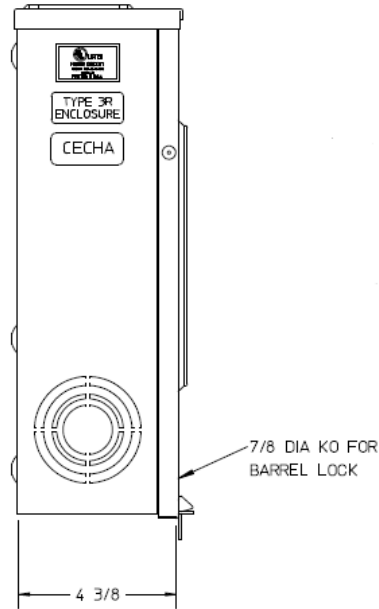
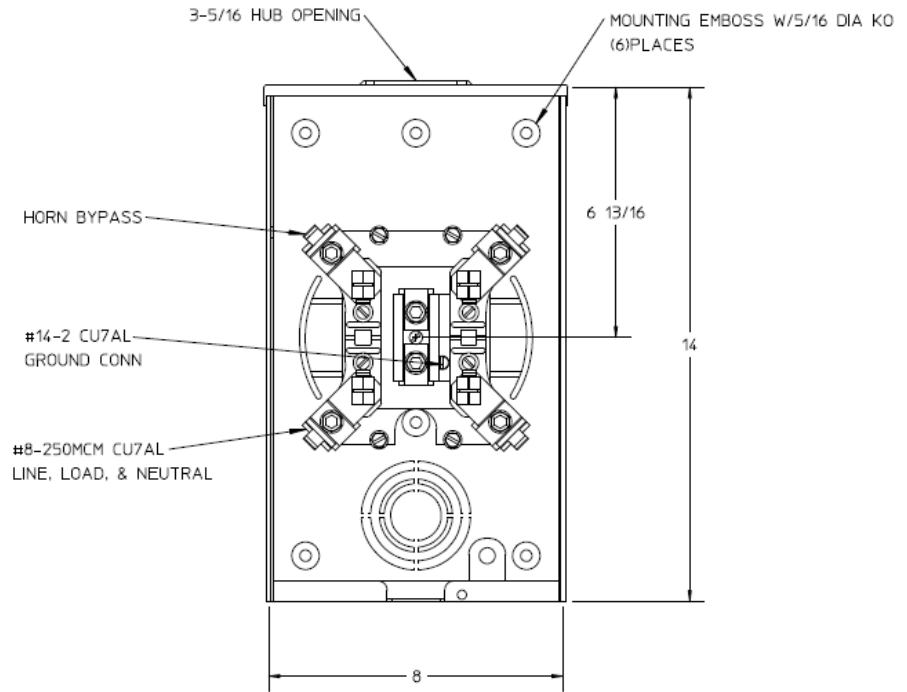


**Left Side View**



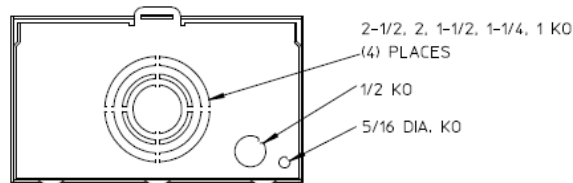

**Front View Interior**



**Notes**

- 1) FINISH: GRAY
- 2) CABINET: 16GA GALV. STEEL
- 3) 200 AMP CONTINUOUS  
600 VAC, 1 PHASE, 3 WIRE
- 4) MIDWEST LABEL ATTACHED TO THE END OF THE CARTON.
- 5) TEMPORARY CARDBOARD METER OPENING COVER PROVIDED.
- 6) MIDWEST LOGO LOCATED IN THE LOWER LEFT-HAND CORNER OF THE FRONT.
- 7) FOR BROOKS OR INNER-TITE STANDARD LENGTH BARREL LOCK IN CONJUNCTION WITH BROOKS LOCK GUARDS  
#865 OR#86505 WITH A PERMANENTLY WELDED BRACKET

**Bottom View**

METER SKT-(1) 200A 600V 1P3W G90 N3R HRN BYP 4-TERM  
SMALL HUB OPN AEP BARREL LK TOP/BOT FEED TPLX GRD

| CAT NO      | DWG DATE   | REV # |
|-------------|------------|-------|
| 1007665AMEP | 04/25/2016 | 02    |