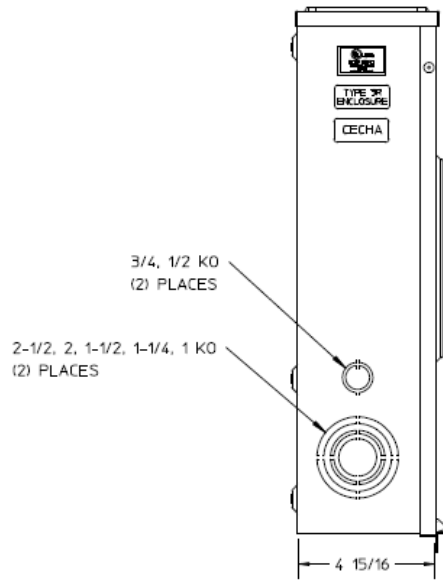
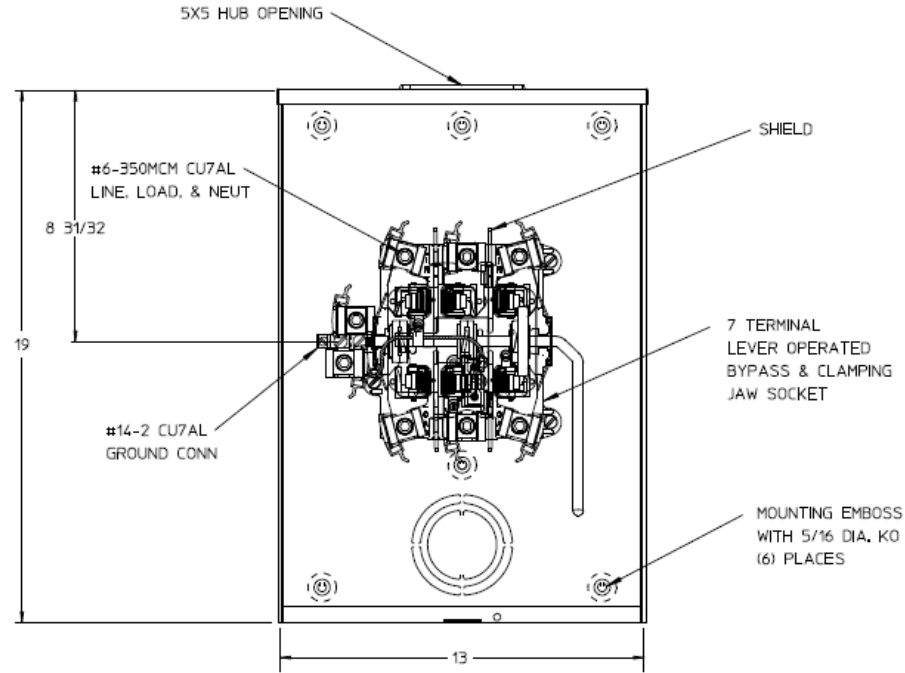


### Side View



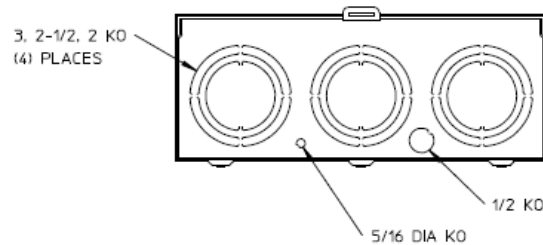
### Front View



### Notes

- 1) FINISH: GRAY
- 2) CABINET: 16 GA GALV. STEEL
- 3) 200 AMP CONTINUOUS  
600 VAC, 3 PHASE, 4 WIRE  
200 AMP BYPASS
- 4) TEMPORARY CARDBOARD METER  
OPENING COVER SUPPLIED
- 5) MIDWEST LABEL ATTACHED TO THE  
END OF THE CARTON
- 6) MIDWEST LOGO LOCATED IN THE LOWER  
LEFT-HAND CORNER OF THE FRONT

### Bottom View



METER SOCKET – (1) 200A 3P4W 600V 7-TERMINAL N3R  
HUB OPENING G90 LEVER BYPASS CECHA TOP FEED

CAT NO	DWG DATE	REV #
1007670MEP	02/09/2016	01