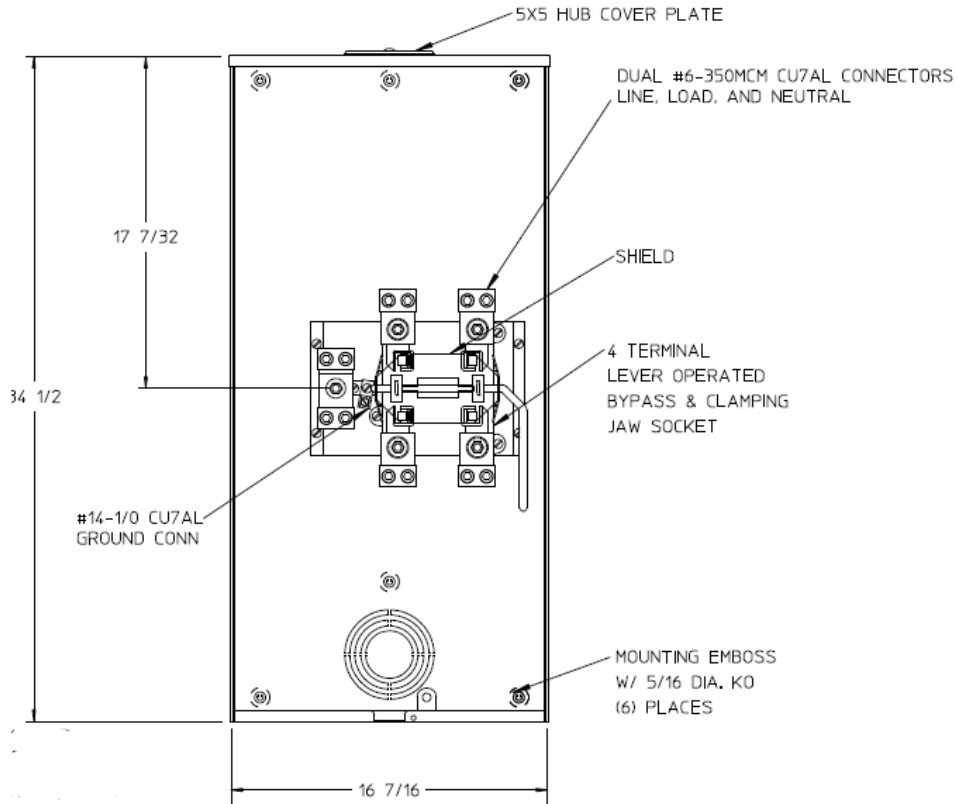
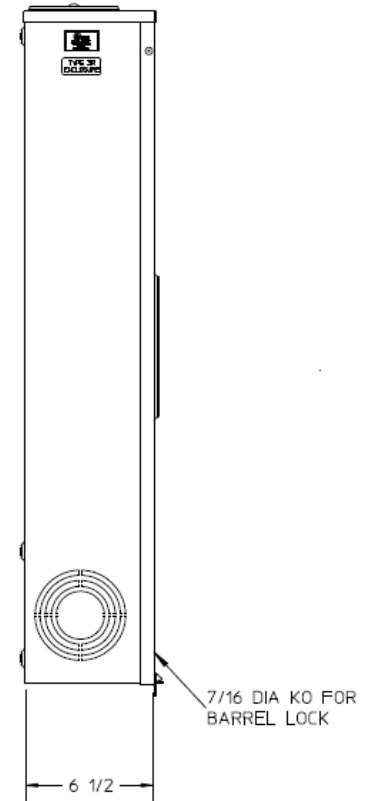


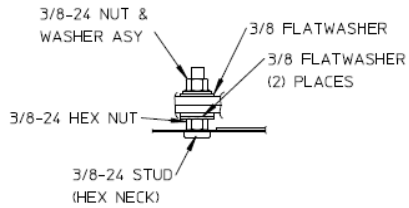
Front View



Side View



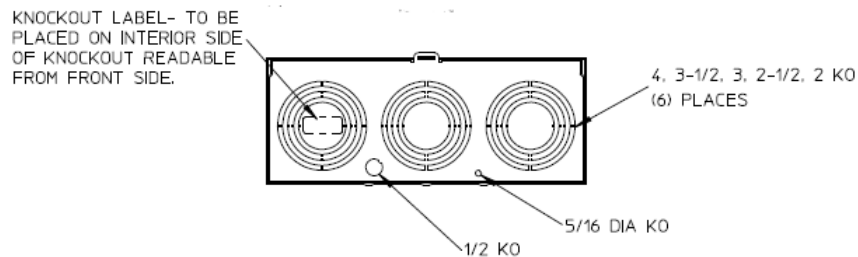
Neutral Stud Detail




Notes

- 1) FINISH: GRAY
- 2) CABINET: 16 GA GALV. STEEL
- 3) 320 AMP CONTINUOUS
600 VAC. 1 PHASE, 3 WIRE
320 AMP BYPASS
RINGLESS, (A-L) HUB TYPE
OVERHEAD OR UNDERGROUND FEED
- 4) FOR AN EXPOSED INNER-TITE OR BROOKS
STANDARD LENGTH BARREL LOCK WITH A
PERMANENTLY WELDED BRACKET.
- 5) MIDWEST LABEL ATTACHED TO THE END
OF THE CARTON.
- 6) TEMPORARY CARDBOARD METER OPENING
COVER PROVIDED.
- 7) MIDWEST LOGO STAMPED IN THE LOWER
LEFT-HAND CORNER OF THE FRONT.
- 8) LABEL STATING UTILITY USE ONLY ON
THE BOTTOM LEFT KNOCKOUT.

Bottom View





METER SOCKET-(1)320A 600V 1P3W N3R LEVER BYPASS
HUB CVR PL 4-TERM G90 AEP BARREL LOCK TOP/BOT FEED

CAT NO	DWG DATE	REV #
1008068MEP	02/10/2016	01