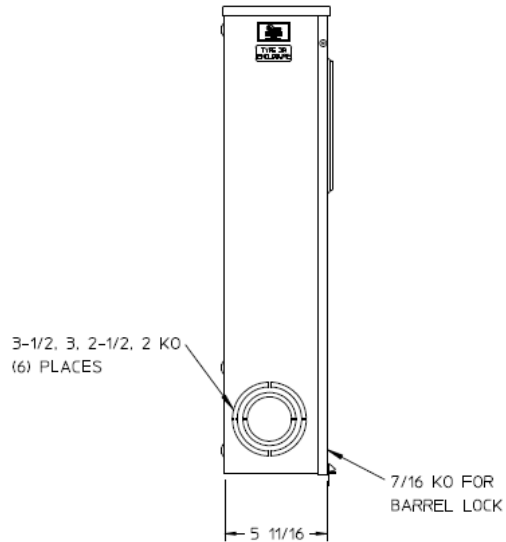
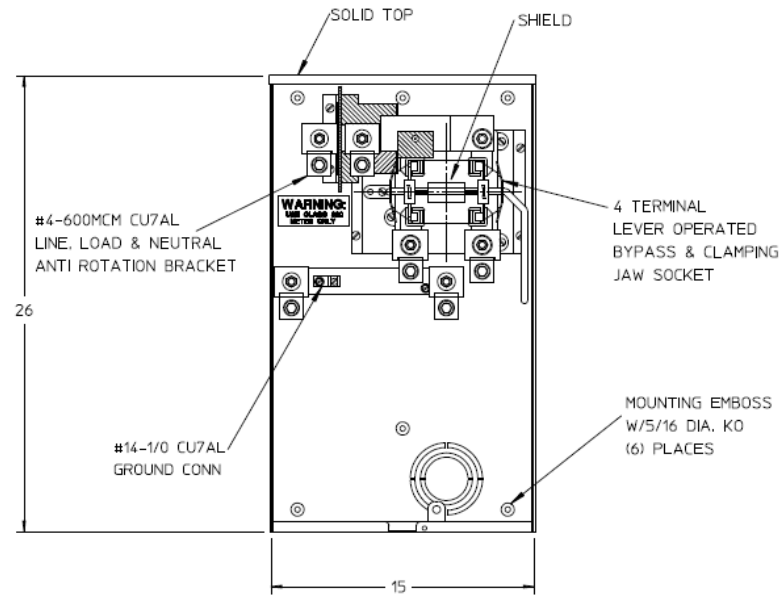


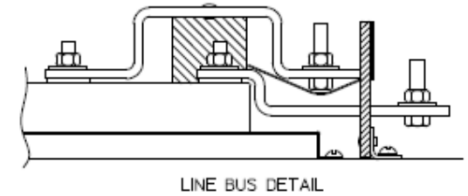
### Left Side View



### Front View Interior



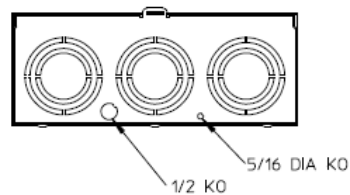
### Line Bus Detail View



### Notes

- 1) PAINT: GRAY
- 2) CABINET: 16 GA GALV STEEL
- 3) 320 AMP CONTINUOUS, 600 VAC, 1 PHASE, 3 WIRE, 320 AMP BYPASS FOR AND EXPOSED BROOKS OR INNER-TITE STANDARD LENGTH BARREL LOCK WITH A PERMANENTLY WELDED BRACKET
- 4) GE LABEL ATTACHED TO THE END OF THE CARTON
- 5) TEMPORARY CARDBOARD METER OPENING COVER PROVIDED
- 6) GE LOGO STAMPED ON LOWER LEFT HAND CORNER OF THE FRONT

### Bottom View



METER SOCKET-(1) 320A 600V 1P3W G90 N3R TPLX  
GRD 4-TERM SOLID TOP LEVER BYP BOTTOM FEED

CAT NO	DWG DATE	REV #
1008435GE	04/15/2016	02