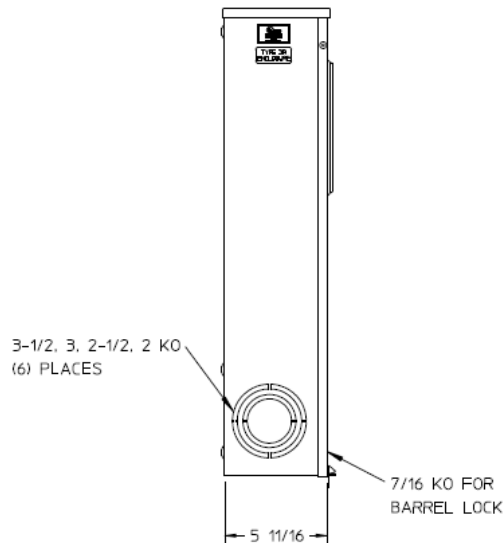
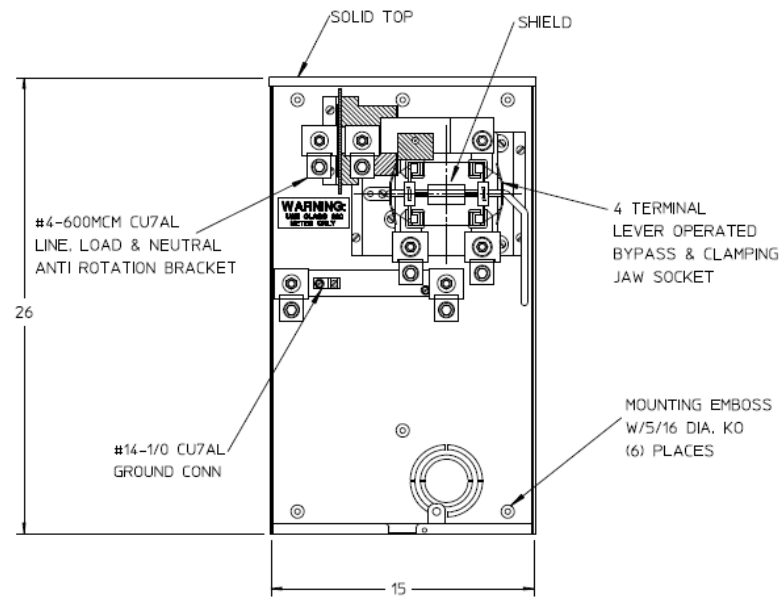


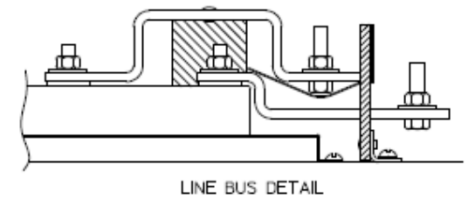
### Left Side View



### Front View Interior



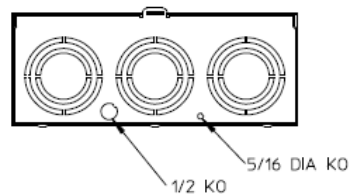
### Line Bus Detail View



### Notes

- 1) FINISH: GRAY
- 2) CABINET: 16 GA GALV. STEEL
- 3) 320 AMP CONTINUOUS  
600 VAC, 1 PHASE, 3-WIRE  
320 AMP BYPASS
- 4) FOR AN EXPOSED BROOKS OR  
INNER-TITE STANDARD LENGTH  
BARREL LOCK WITH A PERMANENTLY  
WELDED BRACKET
- 5) TEMPORARY CARDBOARD METER  
OPENING COVER PROVIDED
- 6) MIDWEST LABEL ATTACHED TO THE  
END OF THE CARTON
- 7) MIDWEST LOGO LOCATED IN THE LOWER  
LEFT-HAND CORNER OF THE FRONT

### Bottom View



METER SOCKET-(1) 320A 600V 1P3W G90 N3R TPLX  
GRD 4-TERM SOLID TOP LEVER BYP BOTTOM FEED

CAT NO	DWG DATE	REV #
1008435MEP	04/15/2016	02