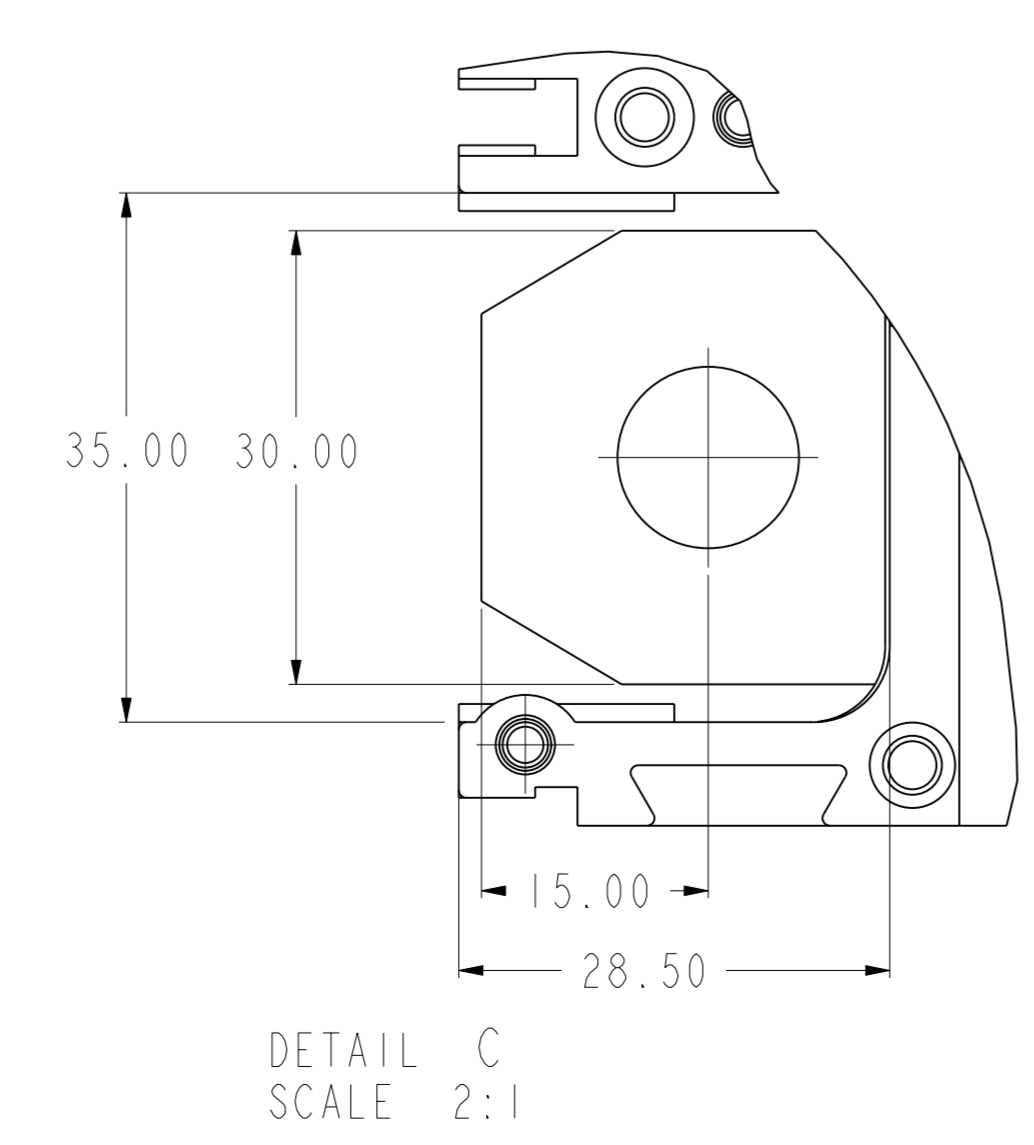
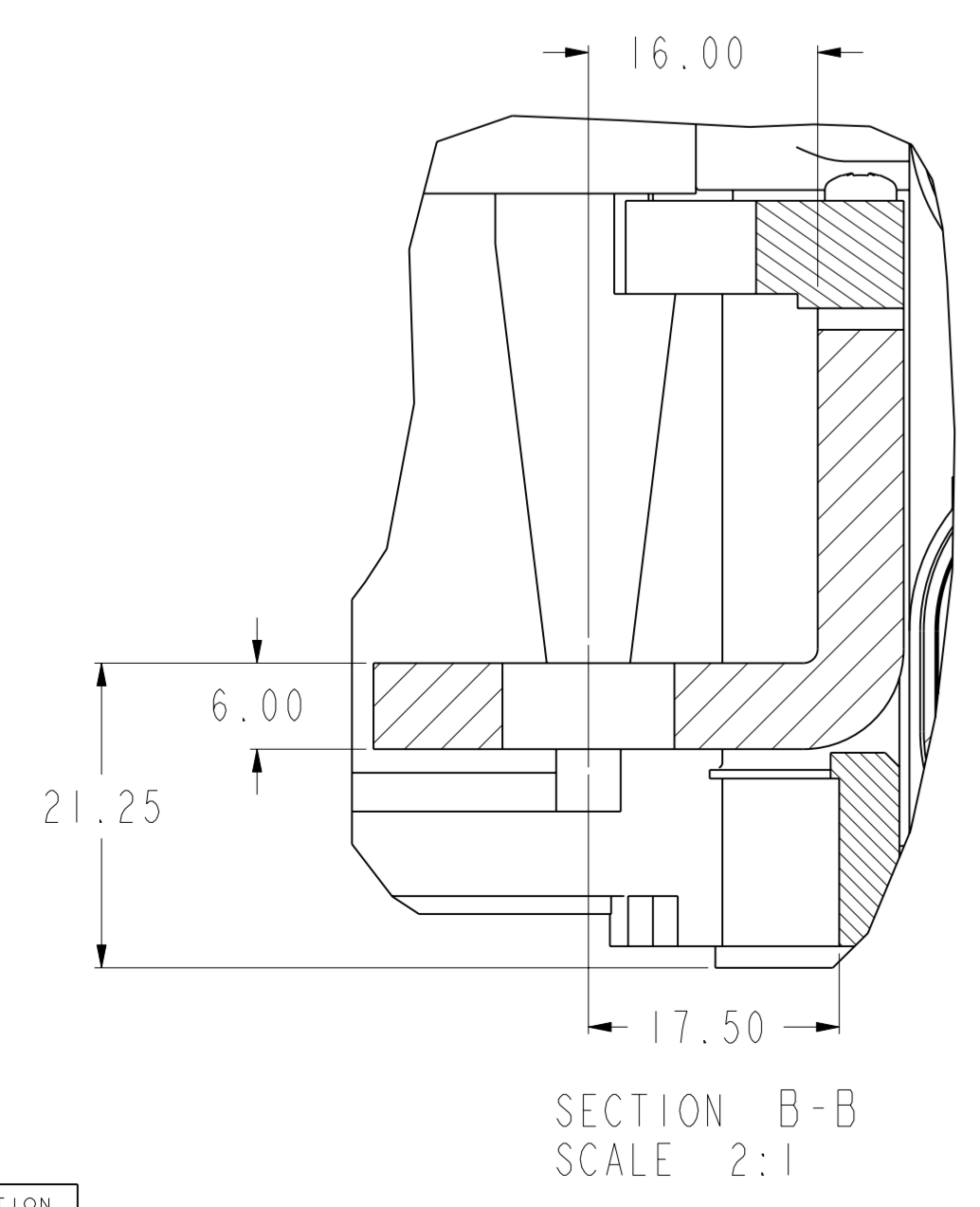
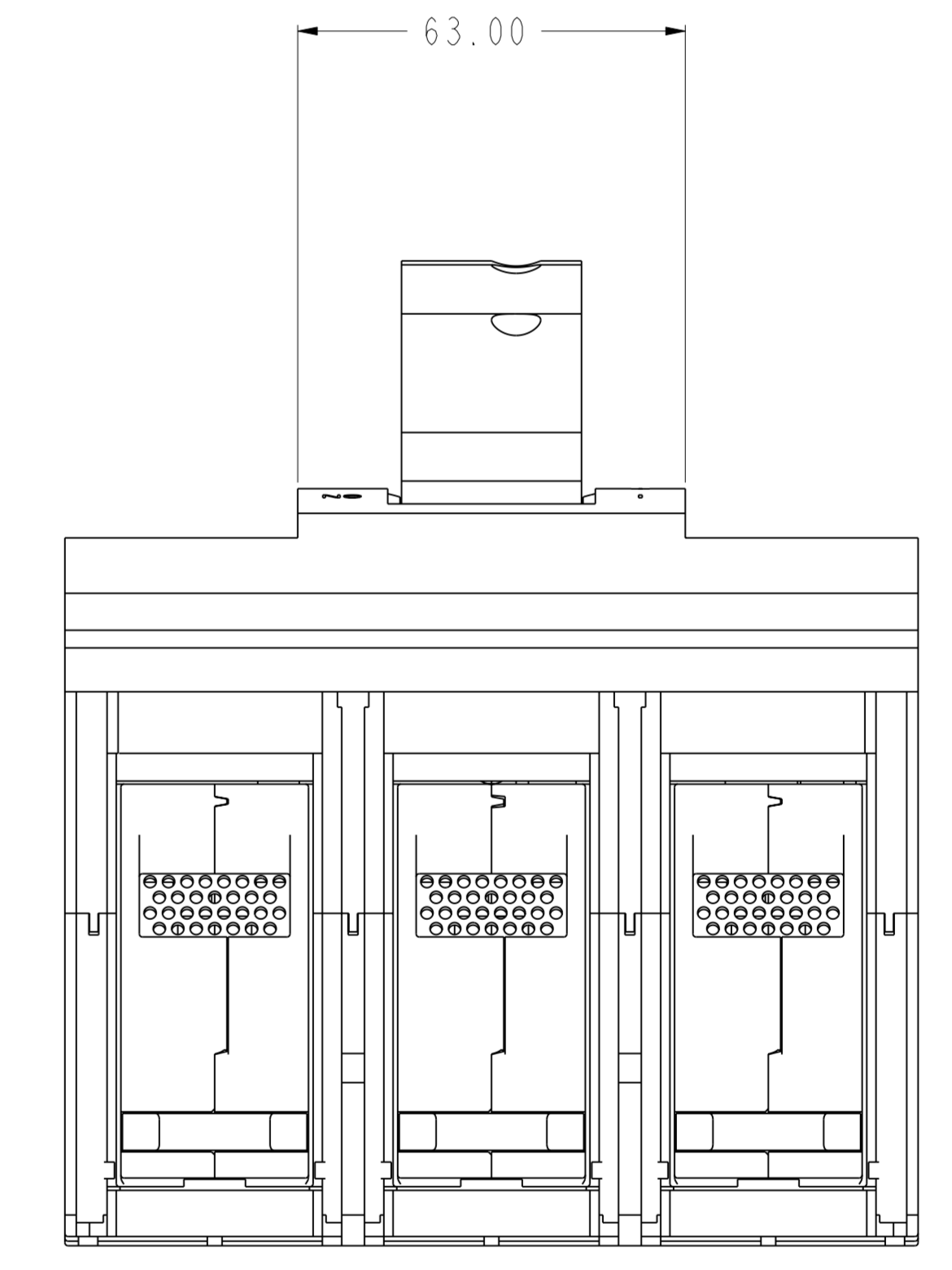
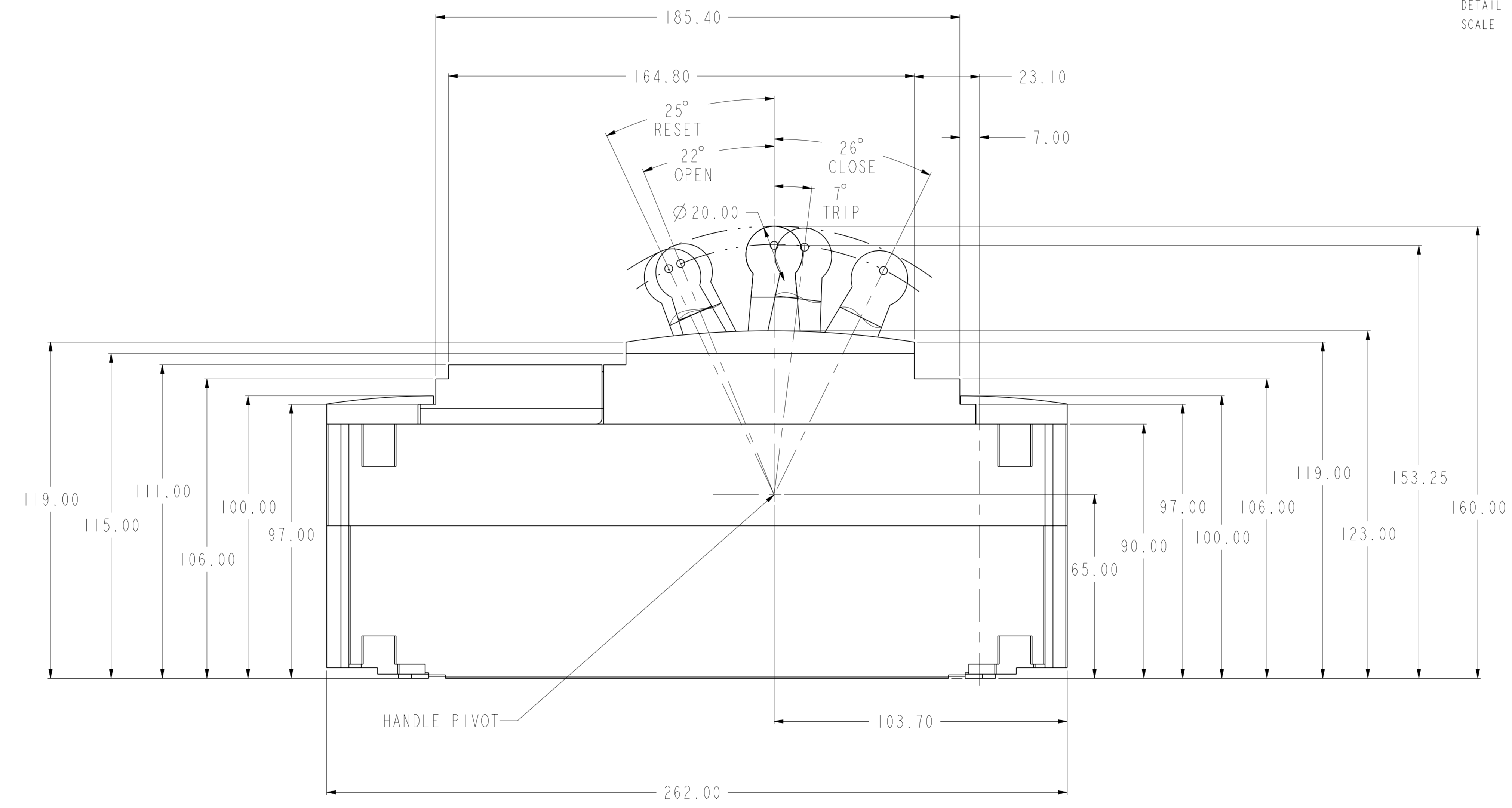
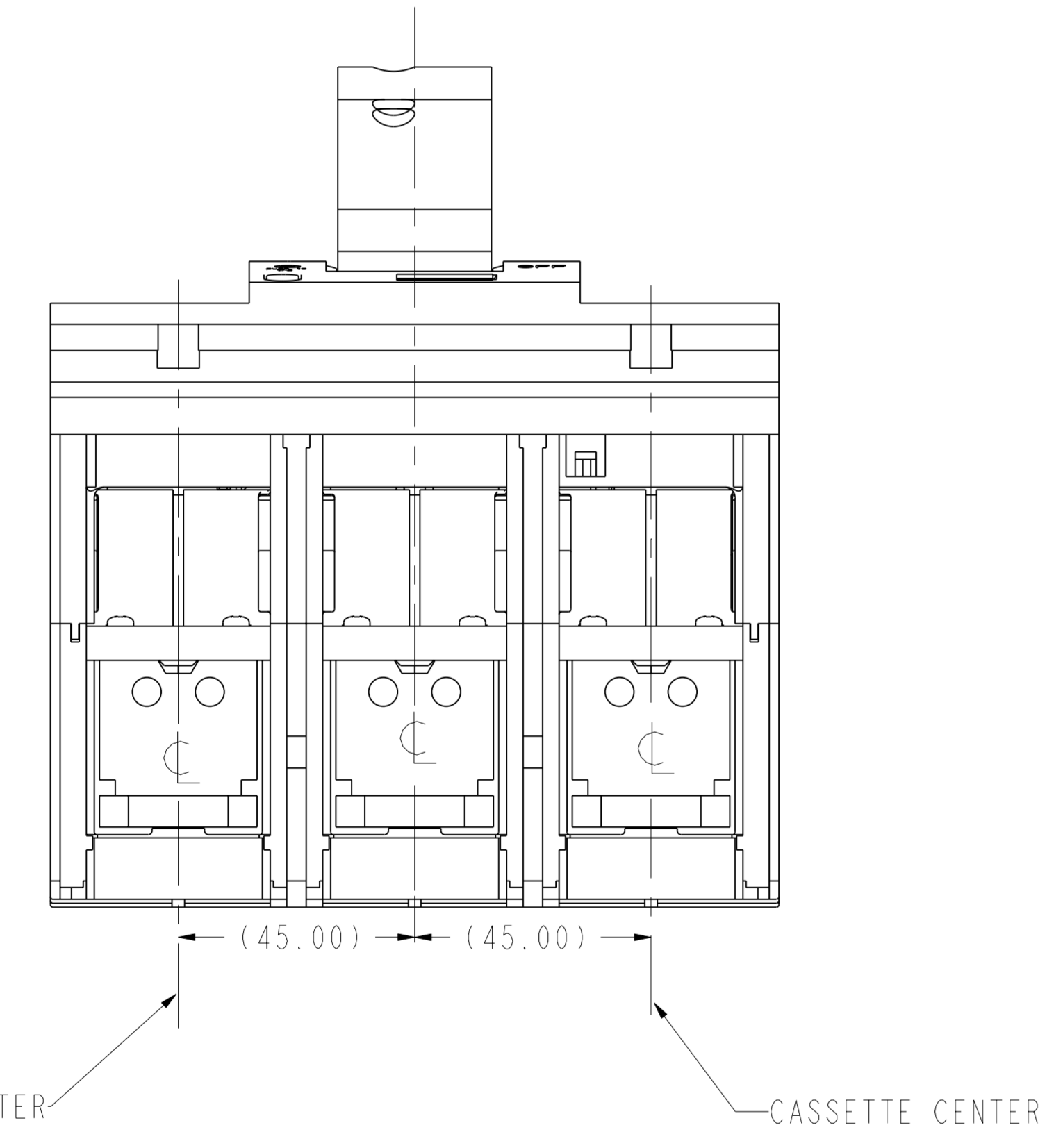
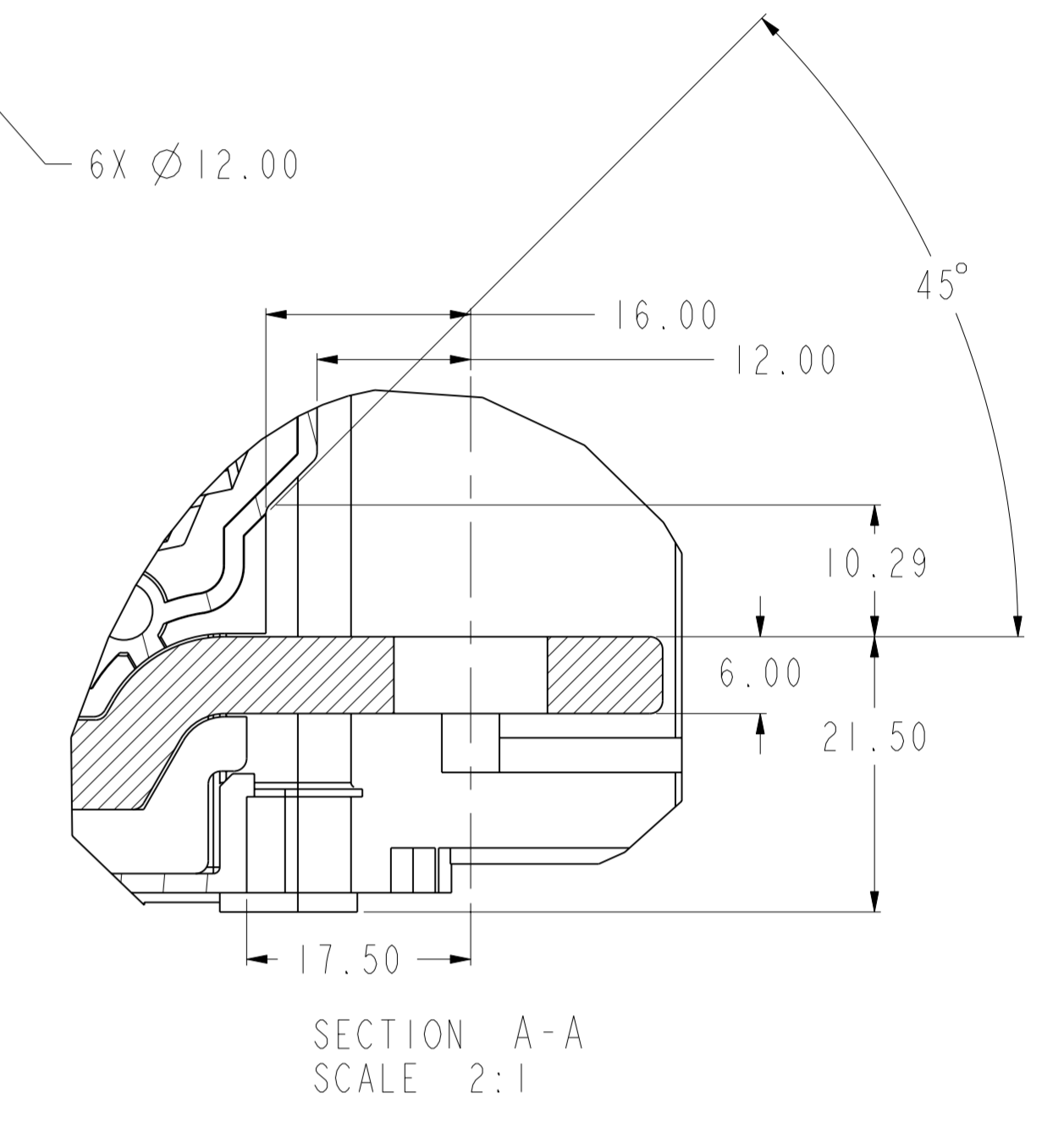
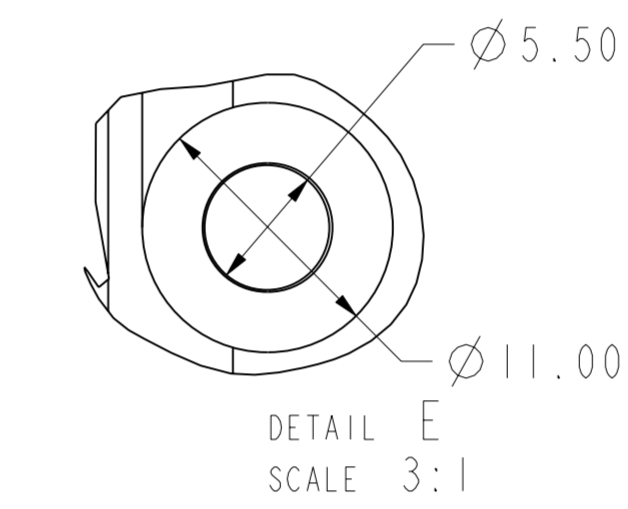
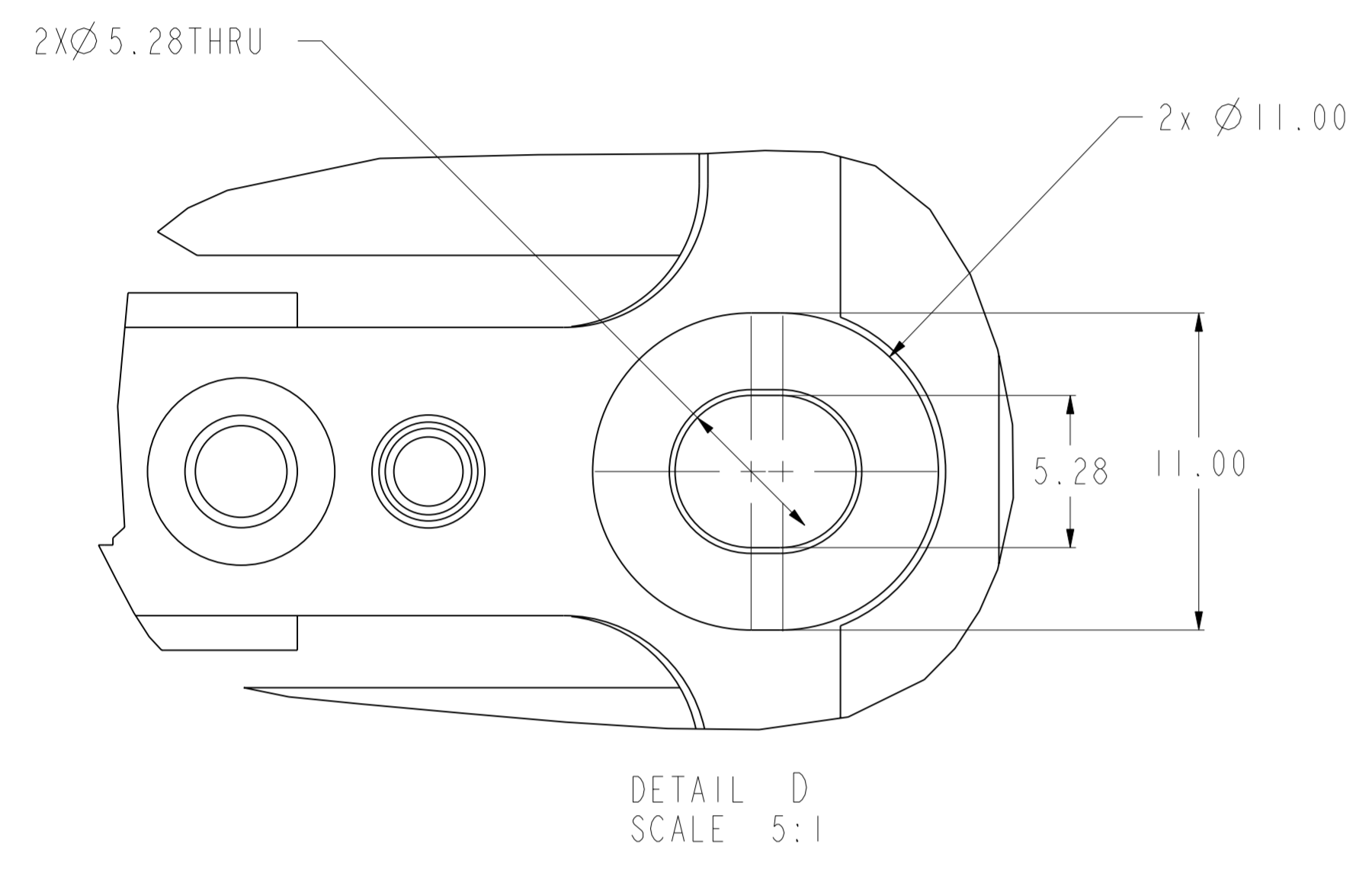
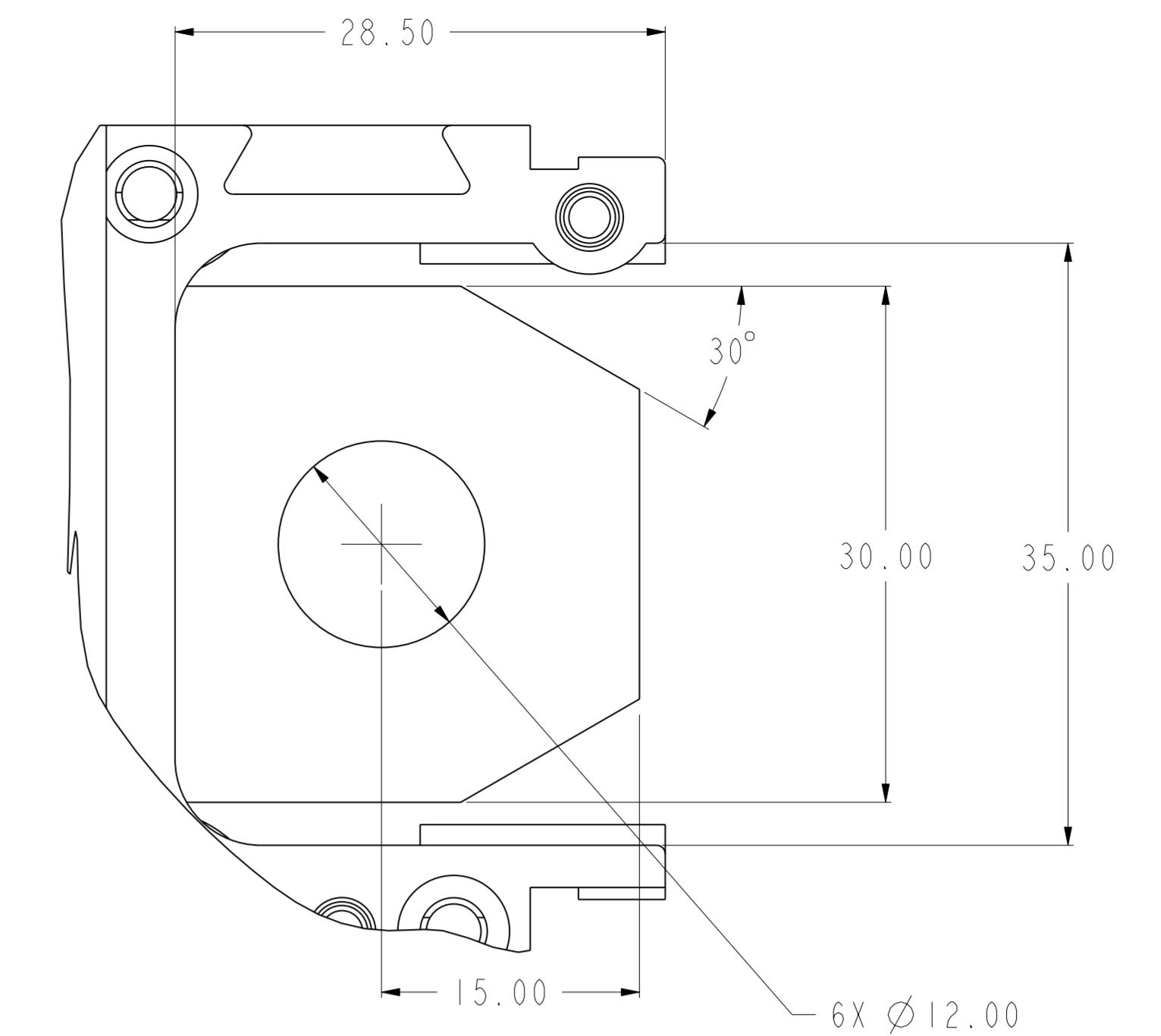
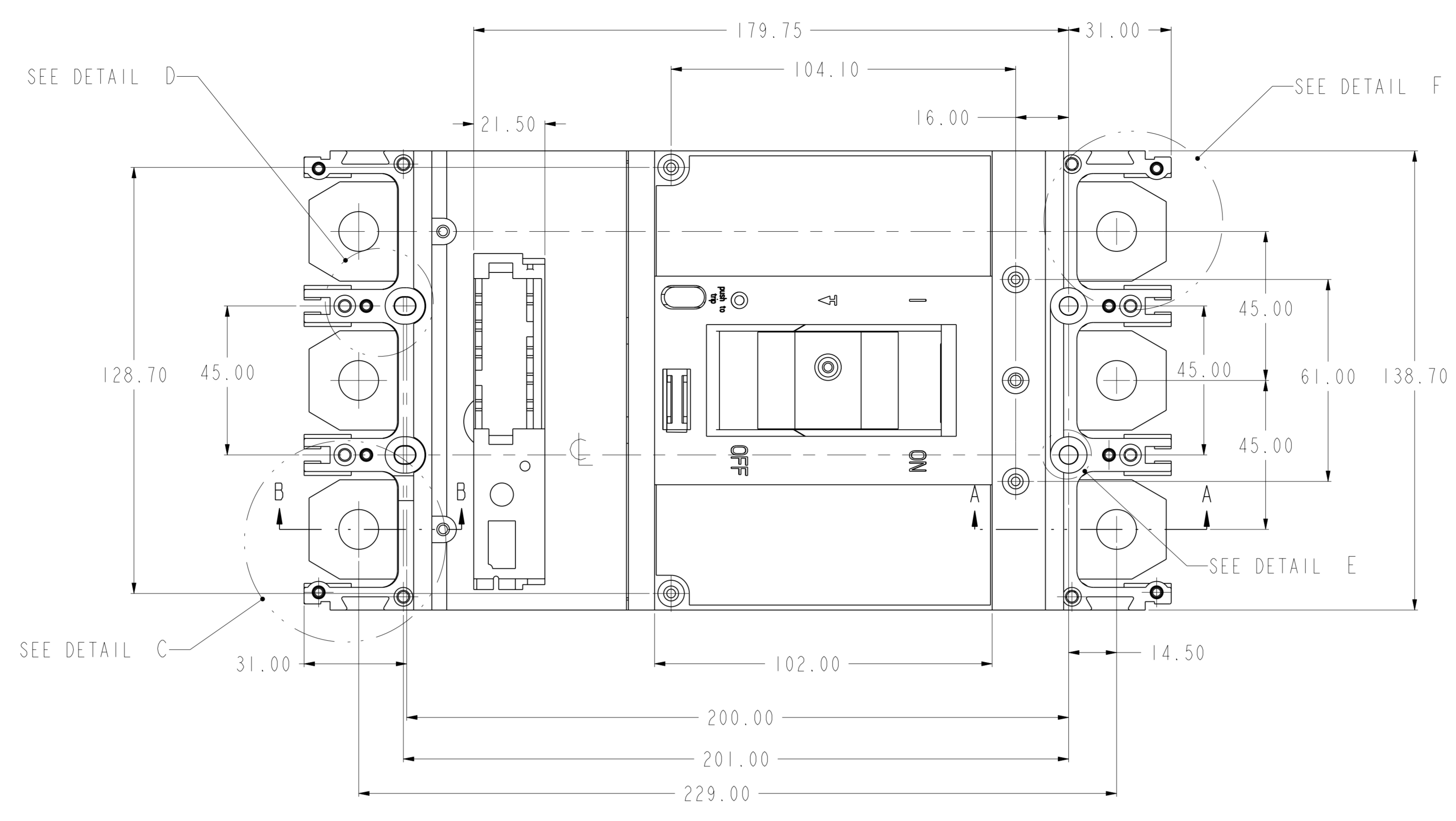
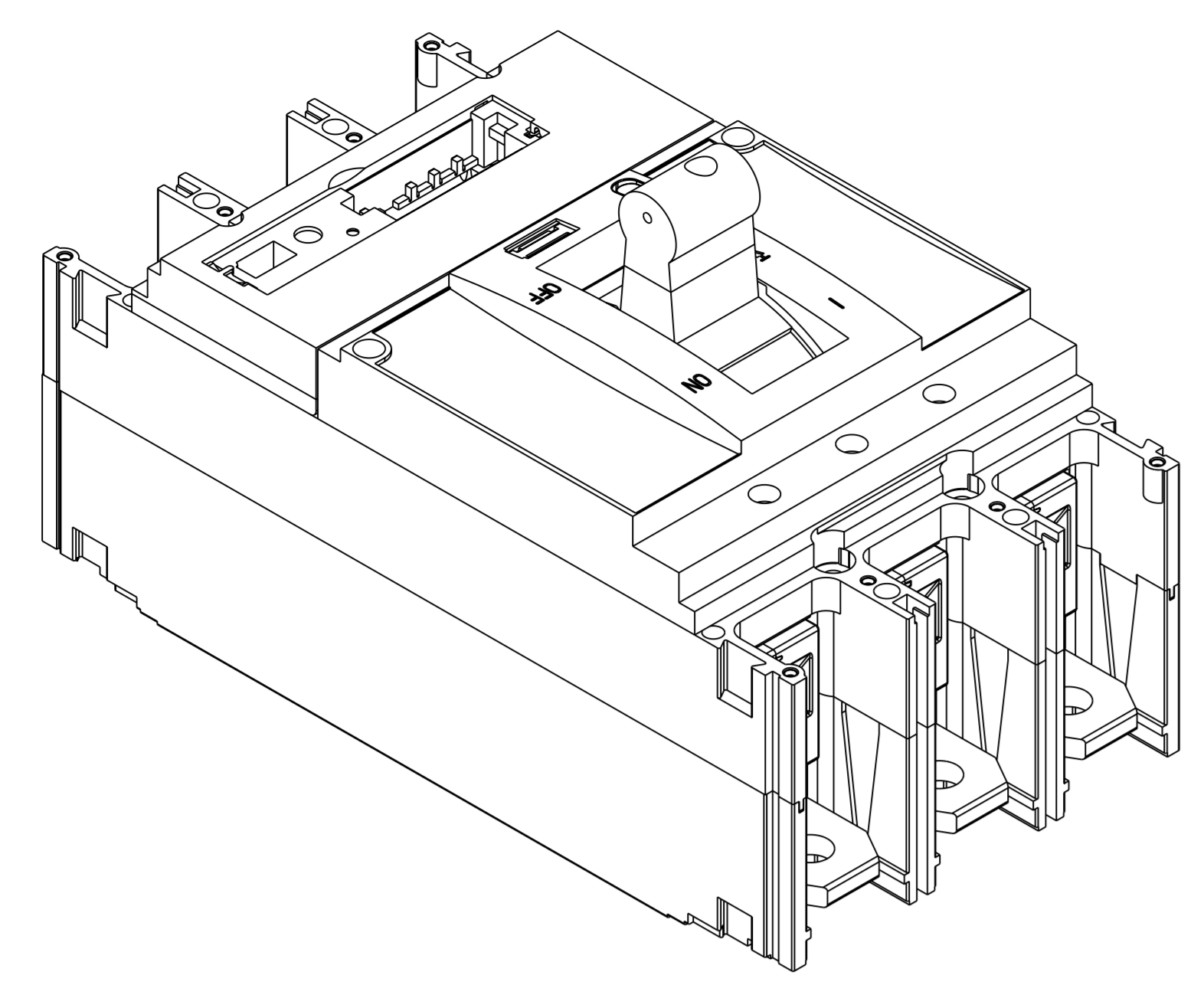


GE PROPRIETARY AND CONFIDENTIAL INFORMATION  
 This document is the property of General Electric Company (GEC) and contains  
 proprietary information of GEC. This document is loaned to the recipient under the  
 understanding that the recipient will not disclose the information to any third party  
 without the express written consent of GEC. The recipient will not use the  
 information for any purpose other than that for which it was loaned.  
 This document may be subject to internal restrictions when  
 it is reprinted, copied, or otherwise disseminated.  
 GEC reports certain laws and regulations.

REV.	DESCRIPTION	DATE	APPROVED
1	0100179	DAR	27/14/01
2	0100132	DAR	31/15/01



BREAKER	FORCE: NEWTON (POUND FORCE)				
	ON-OFF	OFF-ON	RESET	TRIP	INITIAL OFF
G-FRAME	177.93 (40)	133.45 (30)	93.41 (21)	15.57 (3.5)	71.17 (16)

FORCES ARE MEASURED AT 150 MM HEIGHT  
 WEIGHT: 6Kg APPROXIMATELY

FOR ADDITIONAL INFO REFER TO:	SIGNATURES	DATE	 <b>GENERAL ELECTRIC COMPANY</b>
APPROVED: _____	MODEL: _____	DAR: 10/11/00	
DESIGNED: _____	DRAWN: _____	CHECKED: _____	<b>BREAKER OUTLINE            3P G-FRAME</b>
<b>UNLESS OTHERWISE SPECIFIED IN DRAWING</b>	ENG'G: _____	MFG: _____	
TOLERANCE ON:	QUALITY: _____	ISSUED: _____	TITLE: _____ SCALE: 1:2 SHEET 1 OF 1
1 PL DECIMALS ± 0.3	FINISH: _____	DRAWING FILE: 10085108SH	DRAWING NO: 10085108 SHEET 2
2 PL DECIMALS ± 0.13	CRITICAL TO QUALITY CHARACTERISTIC	SOLID MODEL: 10085108SH	GE Industrial Systems
ANGLES ± 1.0			<b>METRIC</b>
FRACTIONS ±			