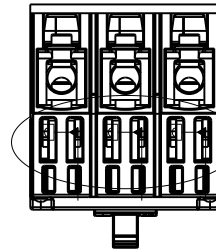
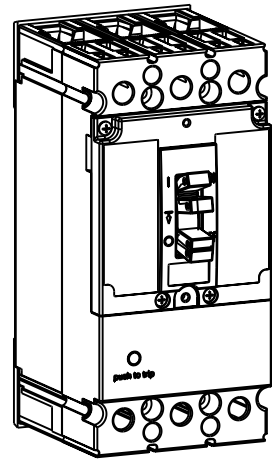


GE PROPRIETARY AND CONFIDENTIAL INFORMATION		REV.	DESCRIPTION	DATE	APPROVED
This document is the property of General Electric Company ("GE") and contains information that is confidential to GE. It is to be used only for the purposes stated herein and is not to be distributed, copied, or otherwise disclosed to any other person without the express written consent of GE. GE, GE logo, and the GE monogram are trademarks of GE. All other marks are the property of their respective owners. This document may be subject to change without notice. U.S. export control laws and regulations apply.		1-2	01016141 0200235	03/01/02	NAVIN
		3	EN 0200675	06/12/02	SAR
		4	ER R0301587	04/24/03	SAR



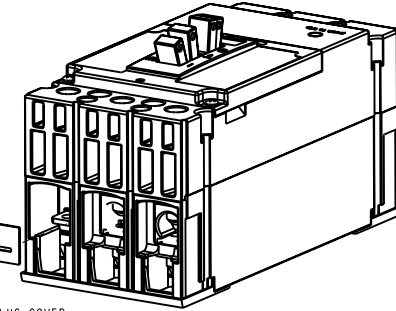
CAUTION!
KEEP AT LEAST THREE INCHES
CLEARANCE FOR EXHAUST IN
THIS AREA

LUG ASSEMBLY



GASKET

LUG COVER



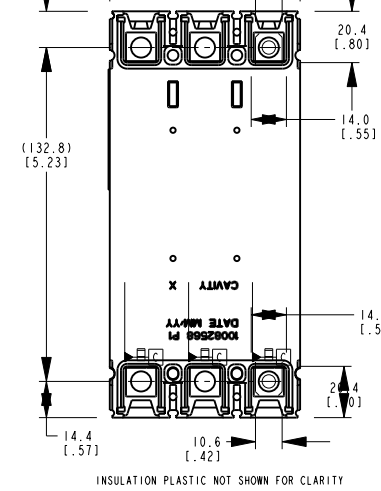
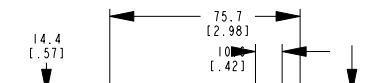
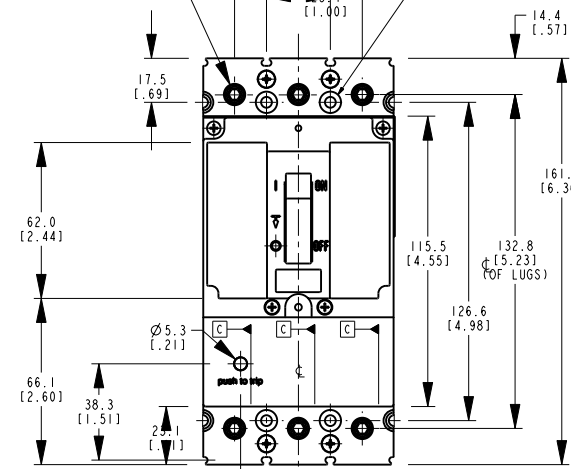
Ø 8.5 TOOL OPENING [.33]

25.4 [1.00]

25.4 [1.00]

(4) Ø 4.3 CIRCUIT BREAKER MOUNTING HOLES
Ø 8.5 COUNTERBORE, 10.0 DEEP
USE (4) M4 MOUNTING SCREWS
OR (4) B-32 MOUNTING SCREWS

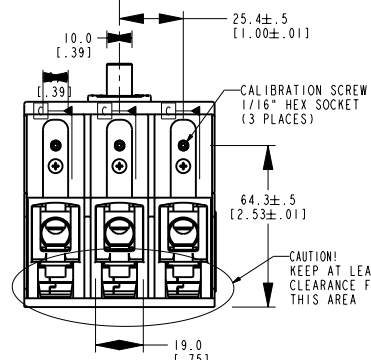
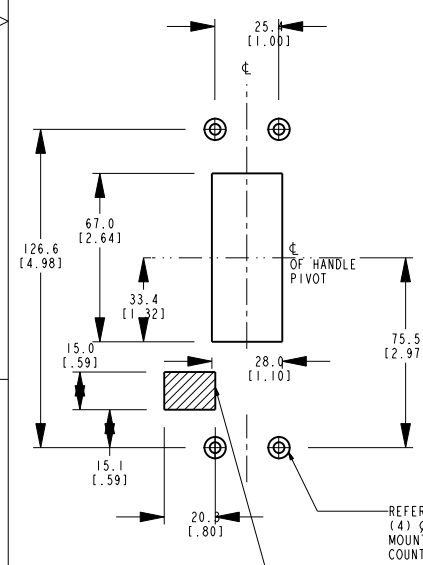
14.4 [.57]



NOTE: DIMS IN BRACKET ARE IN INCHES

WIRE CONNECTOR	USED ON	CU	AL	LUG TORQUE	CATALOG NO
A (SADDLE CLAMP)	20A AND BELOW	#12-#14	#10-#12	#14-10- 35LB-IN	
B (LUG2)	25A-60A	#10-#6	#8-#4	#10-35LB-IN #8-40LB-IN #6-#4-45LB-IN	
C (LUG1)	65A-100A	#4-#1	#2-1/0	#4-45LB-IN #3-#1/0-50LB-IN	

DOOR CUT-OUT



HANDLE OPERATING FORCES	
OFF TO ON	80 N (MAX)
ON TO OFF	52 N (MAX)
TRIP TO RESET	82 N (MAX)

FOR ADDITIONAL INFO REFER TO:
APPLIED PRACTICES
DIMENSIONS ARE IN MILLIMETERS UNLESS OTHERWISE SPECIFIED IN DRAWING
TOLERANCE ON:
1 PL DIMENSIONS ± .5
2 PL DIMENSIONS ± .13
FRACTIONS ± 1/10
FINISH
CRITICAL TO QUALITY CHARACTERISTIC

SIGNATURES
MODEL: NAVIN 11/28/01
DETAIL: NAVIN 11/28/01
CHECKED: CHRIS 12/04/01
ENGR: RON 12/04/01
WES
QUALITY
ISSUED: ...

DATE
11/28/01
12/04/01
12/04/01
...

DATE
11/28/01
12/04/01
12/04/01
...

GE Industrial Systems
GENERAL ELECTRIC COMPANY

TITLE
OUTLINE DRAWING
RECORD PLUS FC 100 MCCB

SCALE: 1:1

SHEET 1 OF 1

10085772 4

