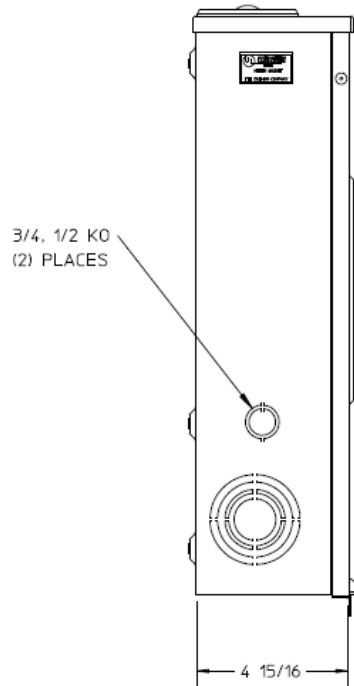
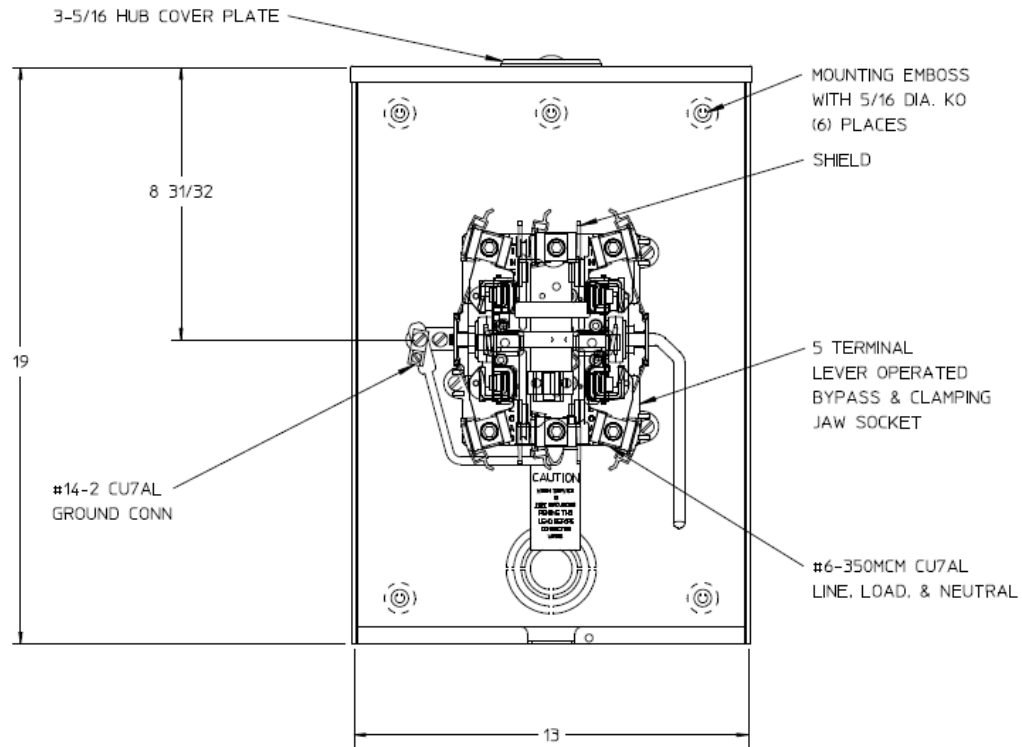


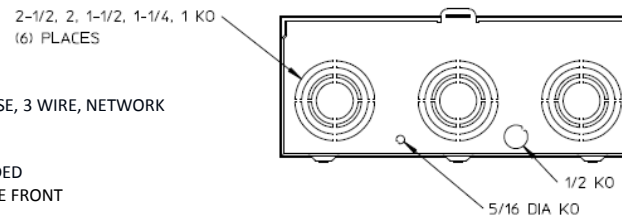
### Left Side View



### Front View Interior



### Bottom View



### Notes

- 1) PAINT: GRAY
- 2) CABINET: 16 GA GALV STEEL
- 3) 200 AMP CONTINUOUS, 600 VAC, 3 PHASE, 3 WIRE, 1 PHASE, 3 WIRE, NETWORK 3-WIRE, 200 AMP BYPASS
- 5) GE LABEL ATTACHED TO THE END OF THE CARTON
- 6) TEMPORARY CARDBOARD METER OPENING COVER PROVIDED
- 7) GE LOGO STAMPED ON LOWER LEFT HAND CORNER OF THE FRONT

GE is a registered trademark used under license from General Electric company.



METER SKT-(1) 200A 600V 1P3W or 3P4W G90 N3R SMALL HUB CVR PLT 5-TRM LVR BYP TOP/BOTTOM FEED XCEL

CAT NO	DWG DATE	REV #
1008801GE	08/12/2016	01