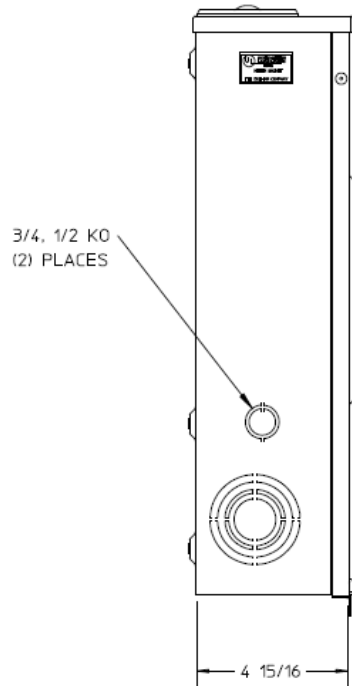
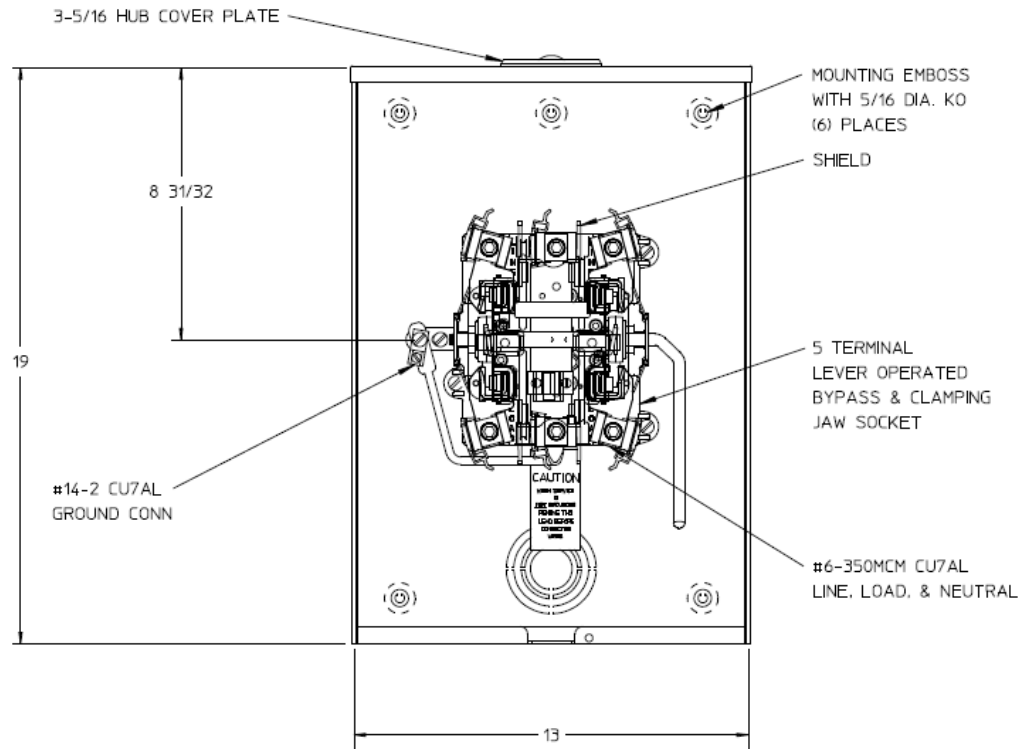


### Left Side View



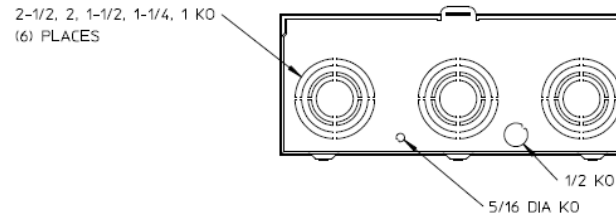
### Front View Interior



### Notes

- 1) FINISH: GRAY
- 2) CABINET: 16 GA GALV. STEEL
- 3) 200 AMP CONTINUOUS  
600 VAC, 3 PHASE, 3-WIRE  
1 PHASE, 3-WIRE  
NETWORK 3-WIRE  
200 AMP BYPASS
- 4) TEMPORARY CARDBOARD METER  
OPENING COVER SUPPLIED.
- 5) MIDWEST LABEL ATTACHED TO  
THE END OF THE CARTON.
- 6) MIDWEST LOGO LOCATED IN THE LOWER  
LEFT-HAND CORNER OF THE FRONT.

### Bottom View



METER SKT-(1) 200A 600V 1P3W or 3P4W G90 N3R SMALL  
HUB CVR PLT 5-TRM LVR BYP TOP/BOTTOM FEED XCEL

CAT NO	DWG DATE	REV #
1008801MEP	08/12/2016	01