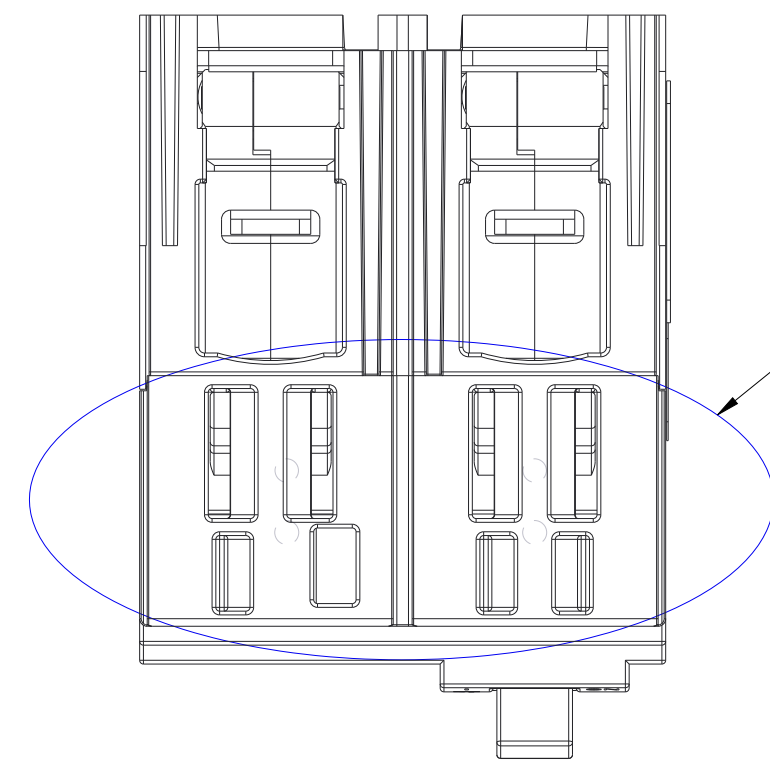
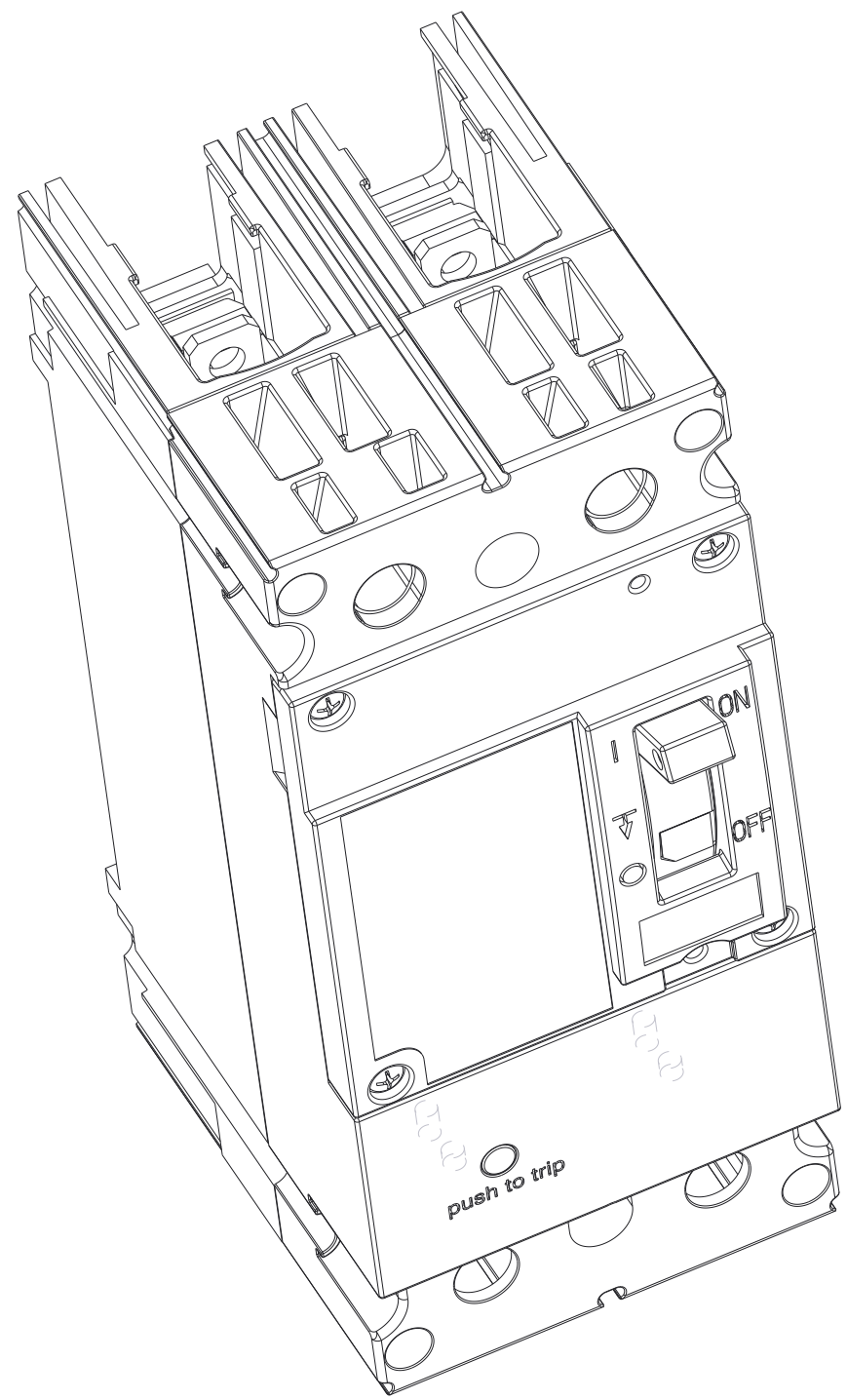
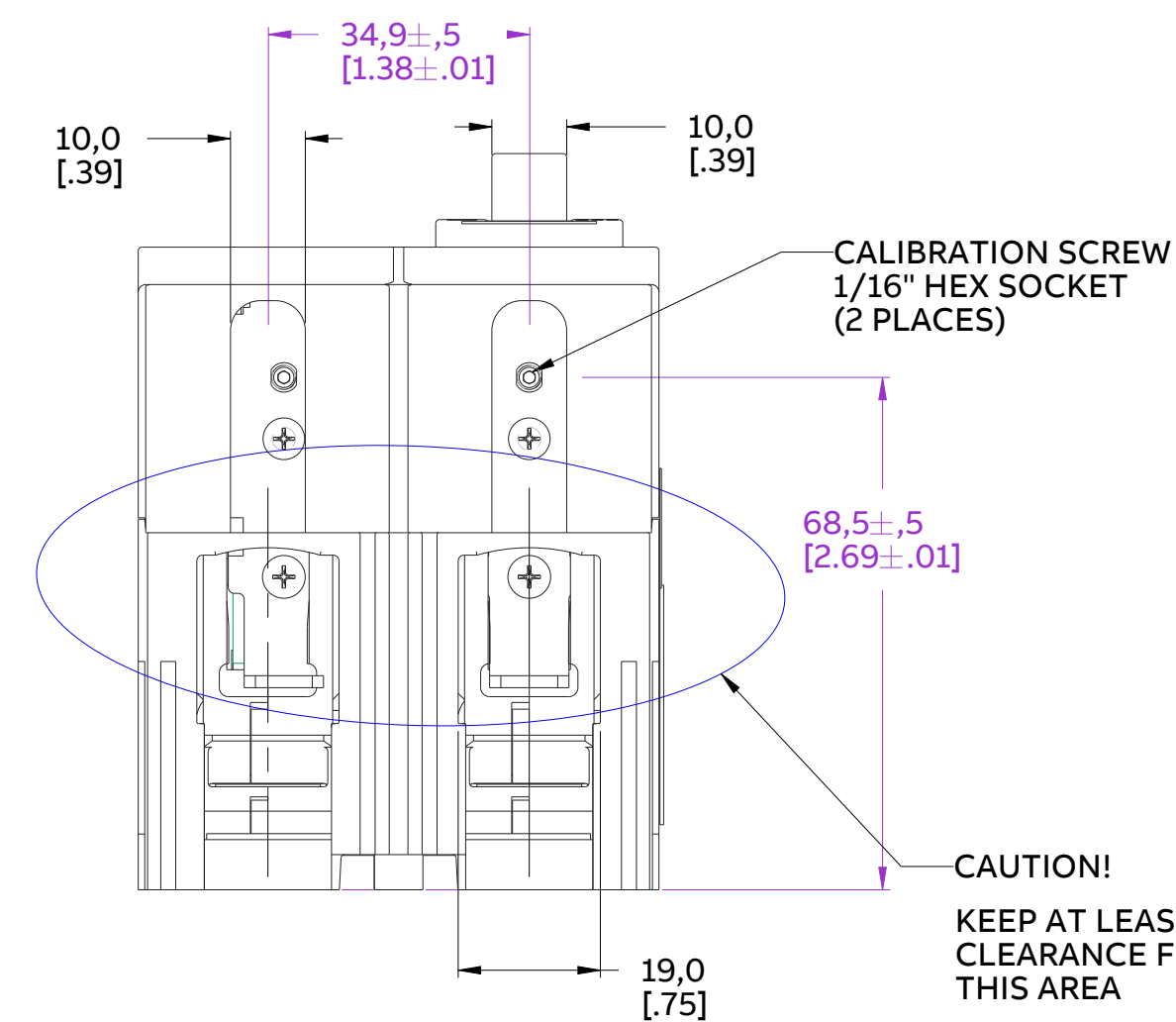
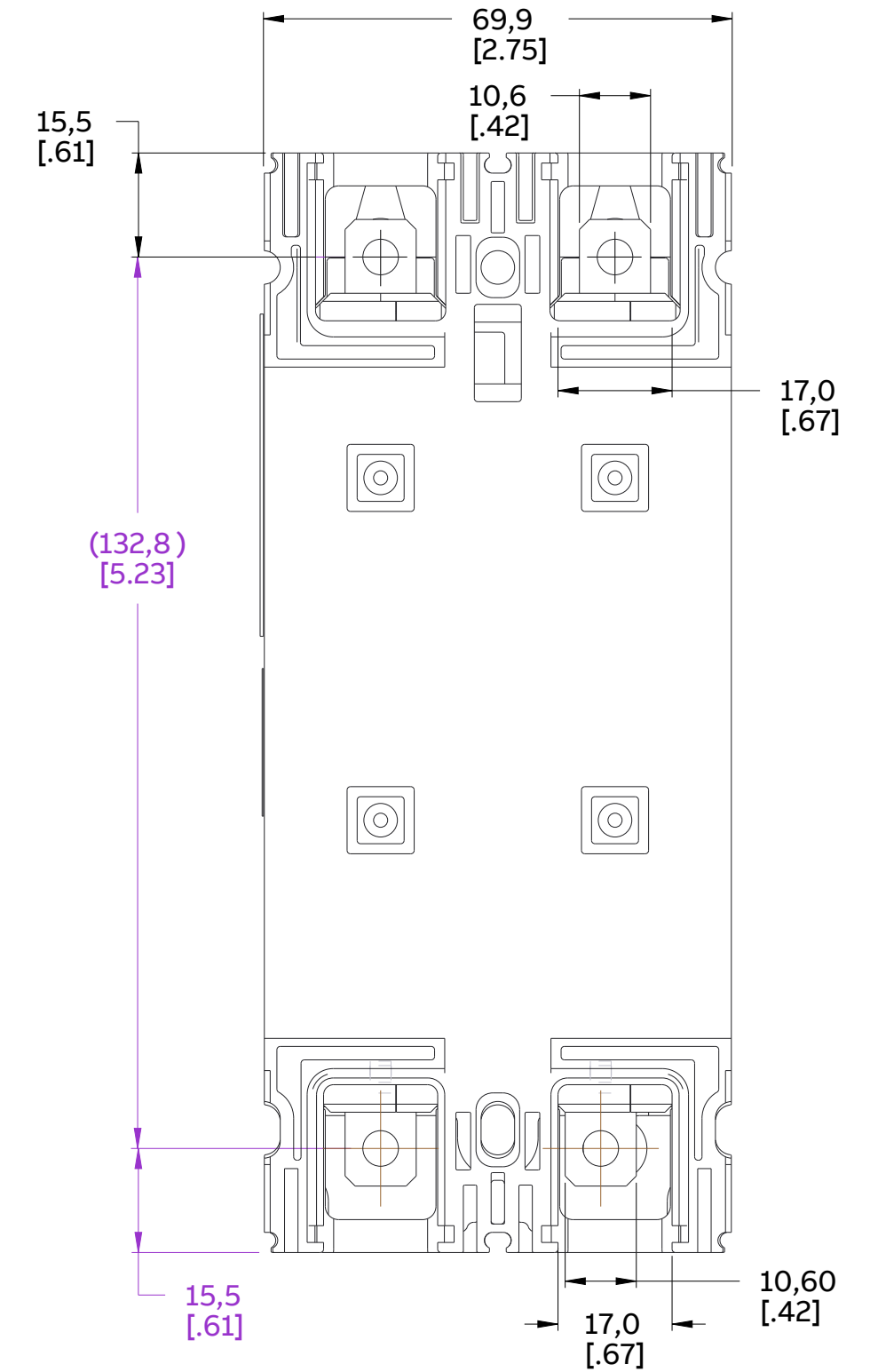
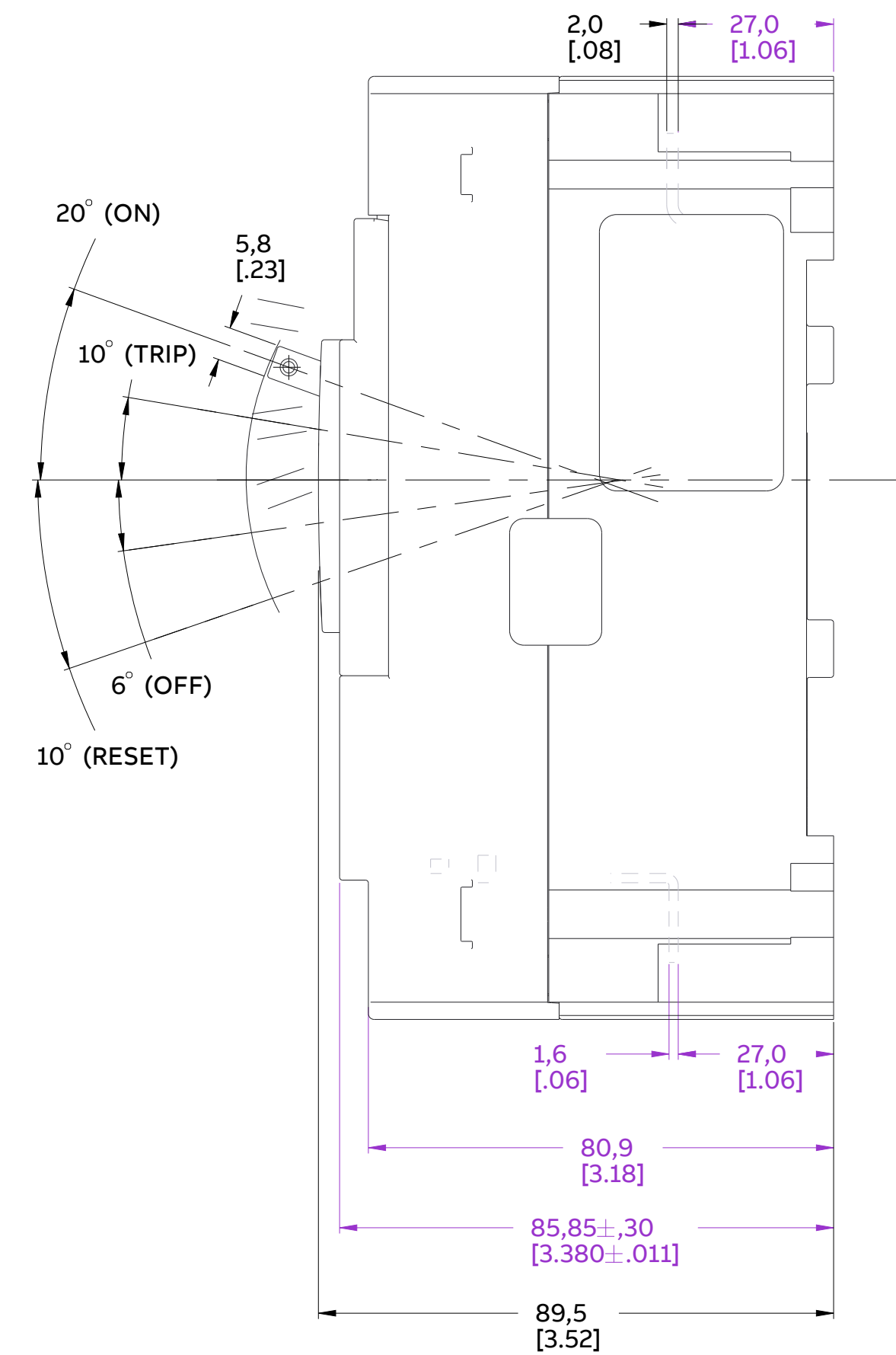
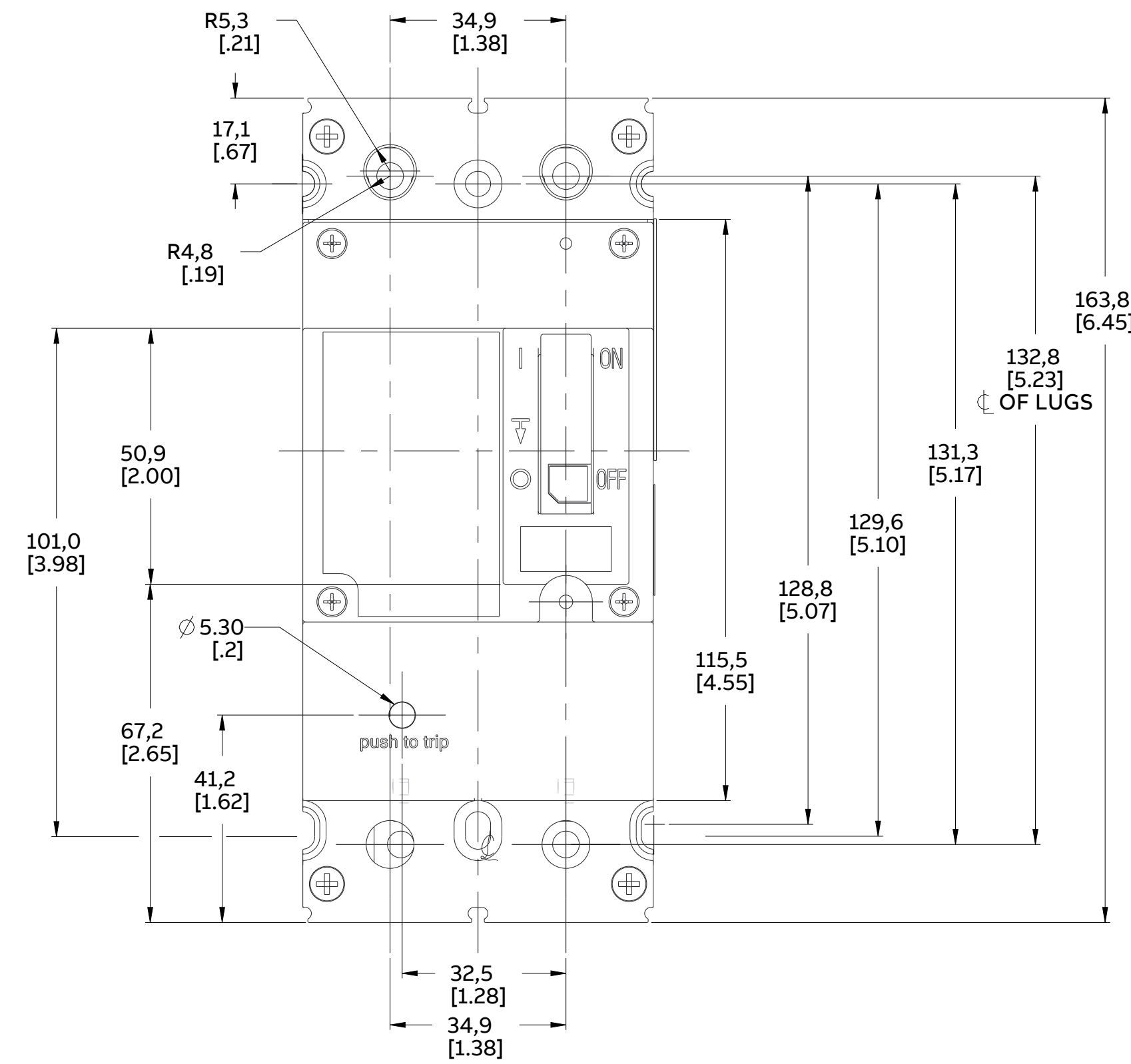


D

D



CAUTION!  
KEEP AT LEAST THREE INCHES  
CLEARANCE FOR EXHAUST IN  
THIS AREA



CAUTION!  
KEEP AT LEAST THREE INCHES  
CLEARANCE FOR EXHAUST IN  
THIS AREA

HANDLE OPERATING FORCES	
OFF TO ON	80 N (MAX)
ON TO OFF	52 N (MAX)
TRIP TO RESET	82 N (MAX)

NOTES: DIMENSIONS IN BRACKET ARE IN INCHES



OUTLINE DRAWING  
2P FB100

THIRD ANGLE	SHEET#	DWG NO.	DATE	REV
	1 of 1	10091636SH1	10/19	4

A

A