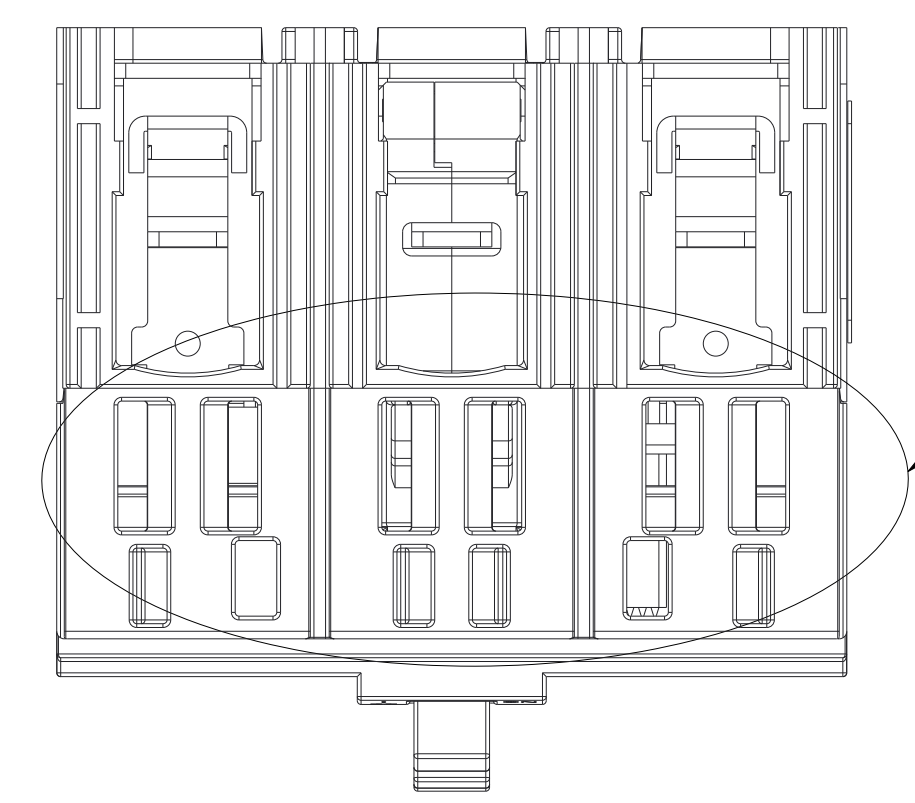
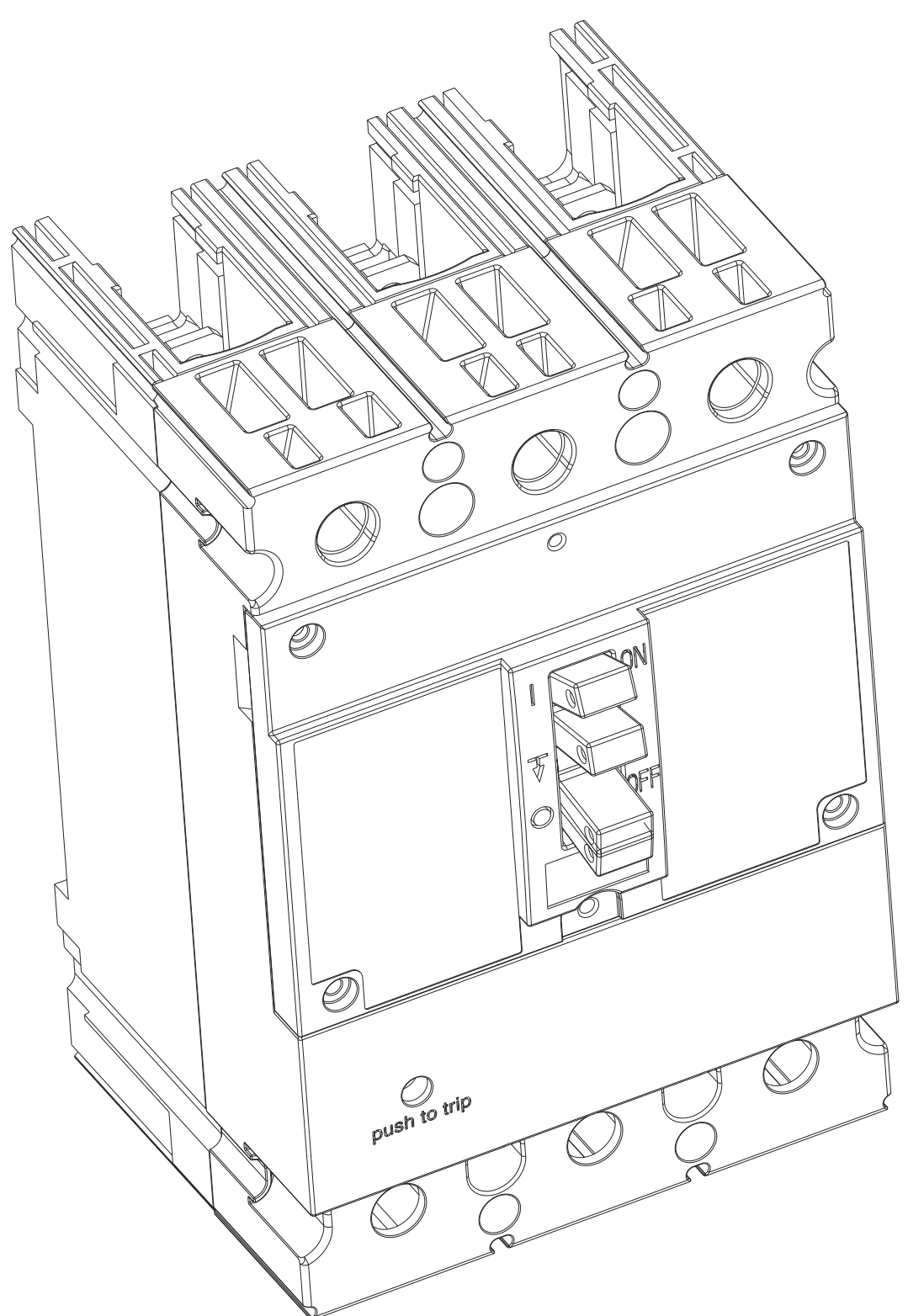
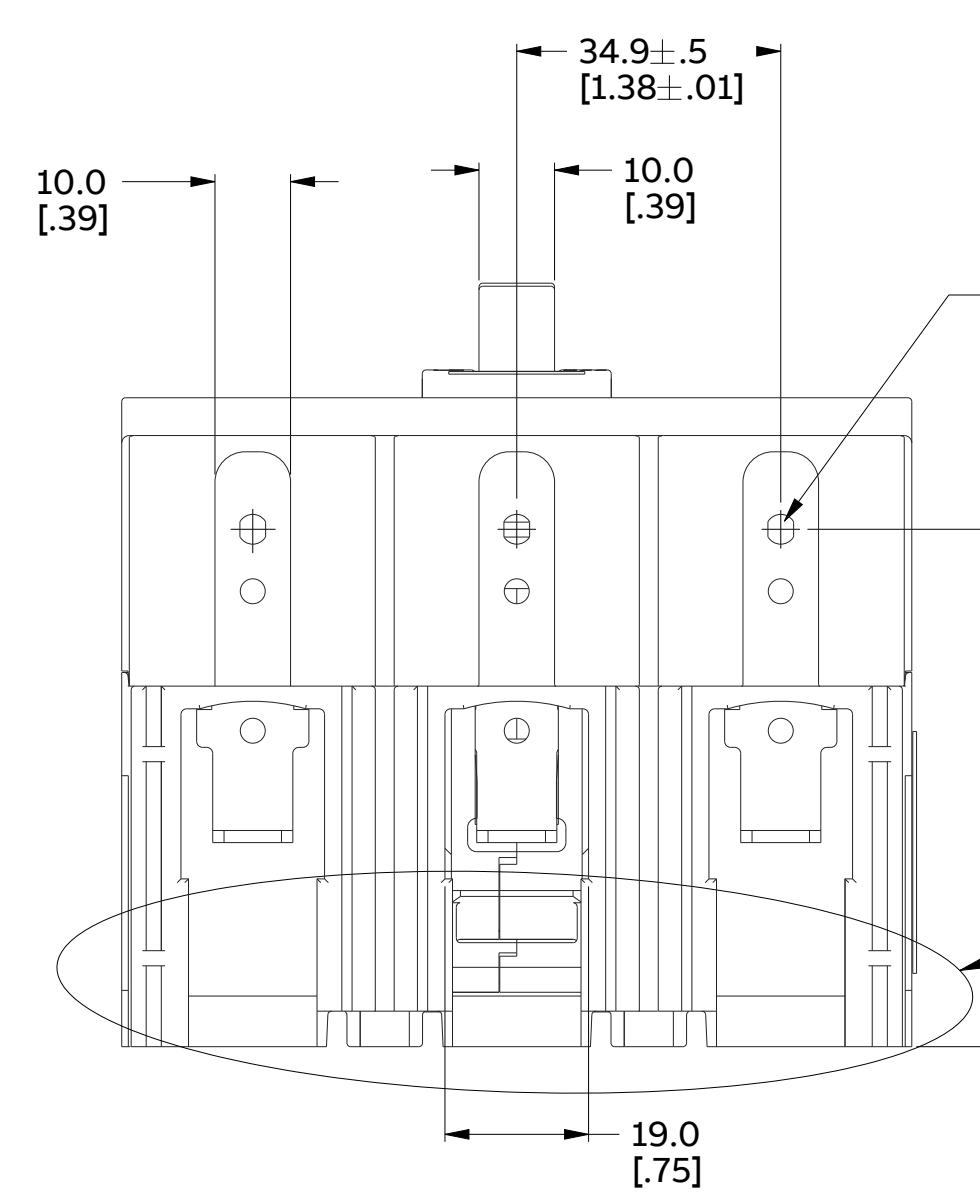
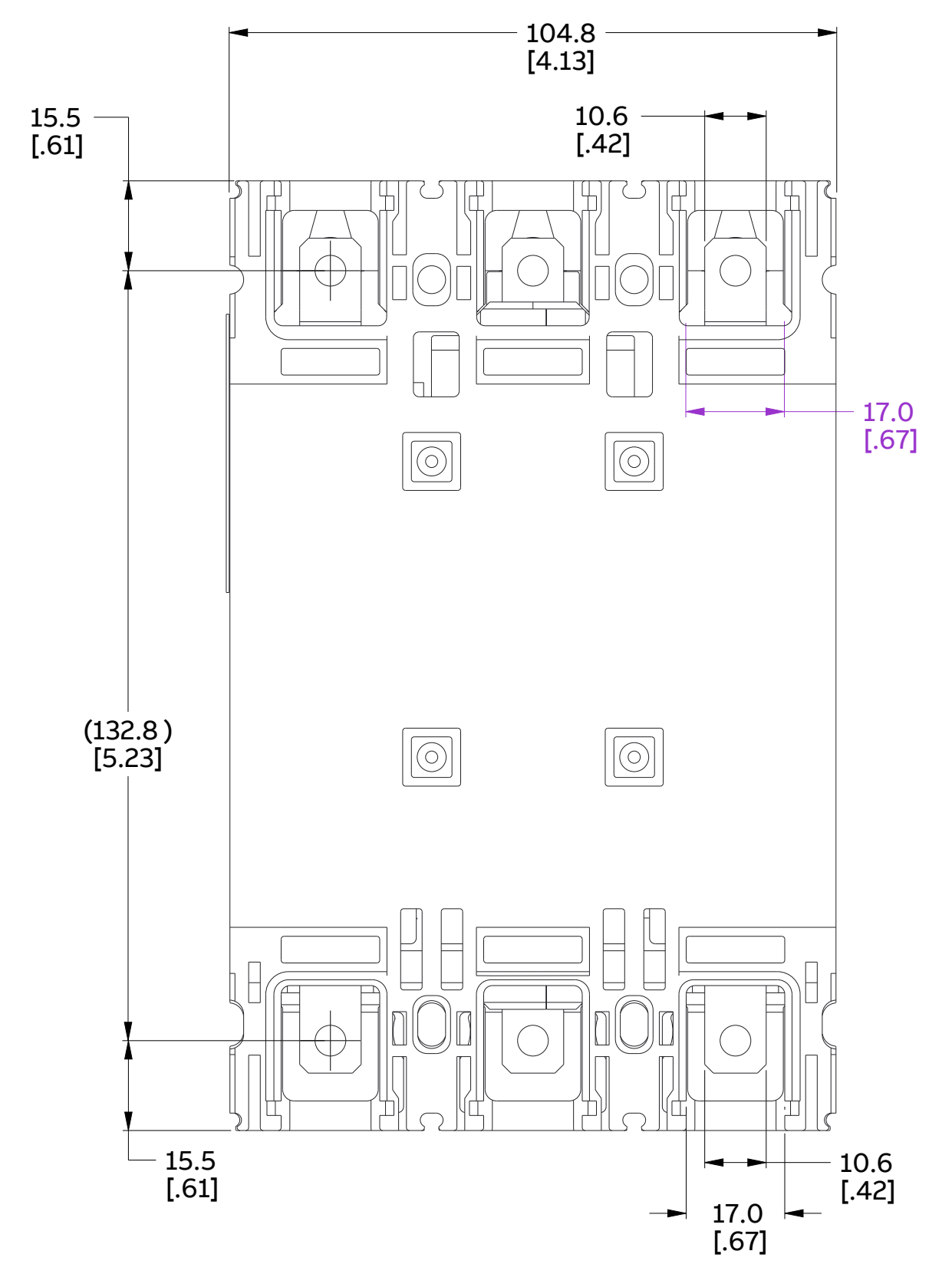
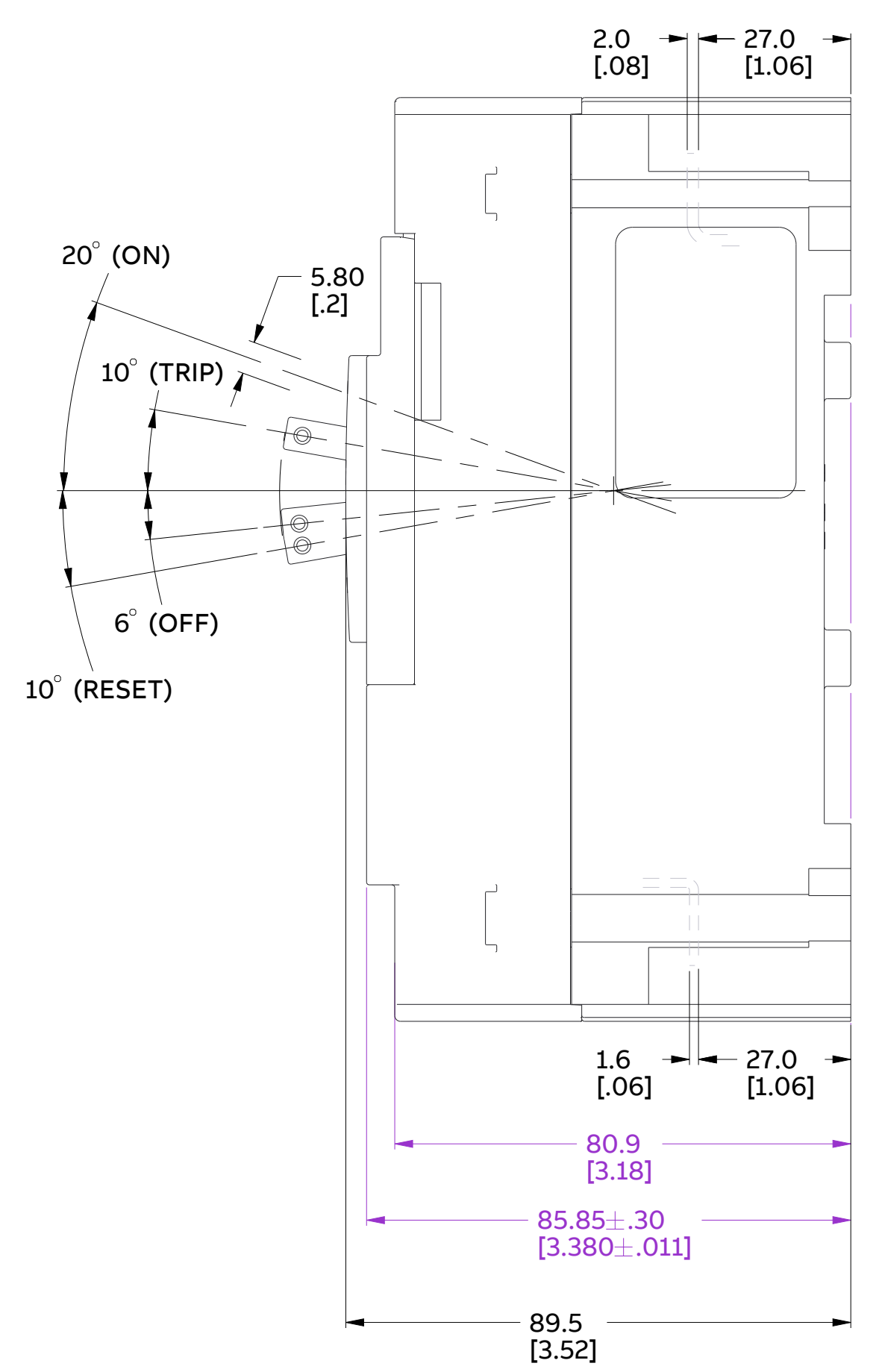
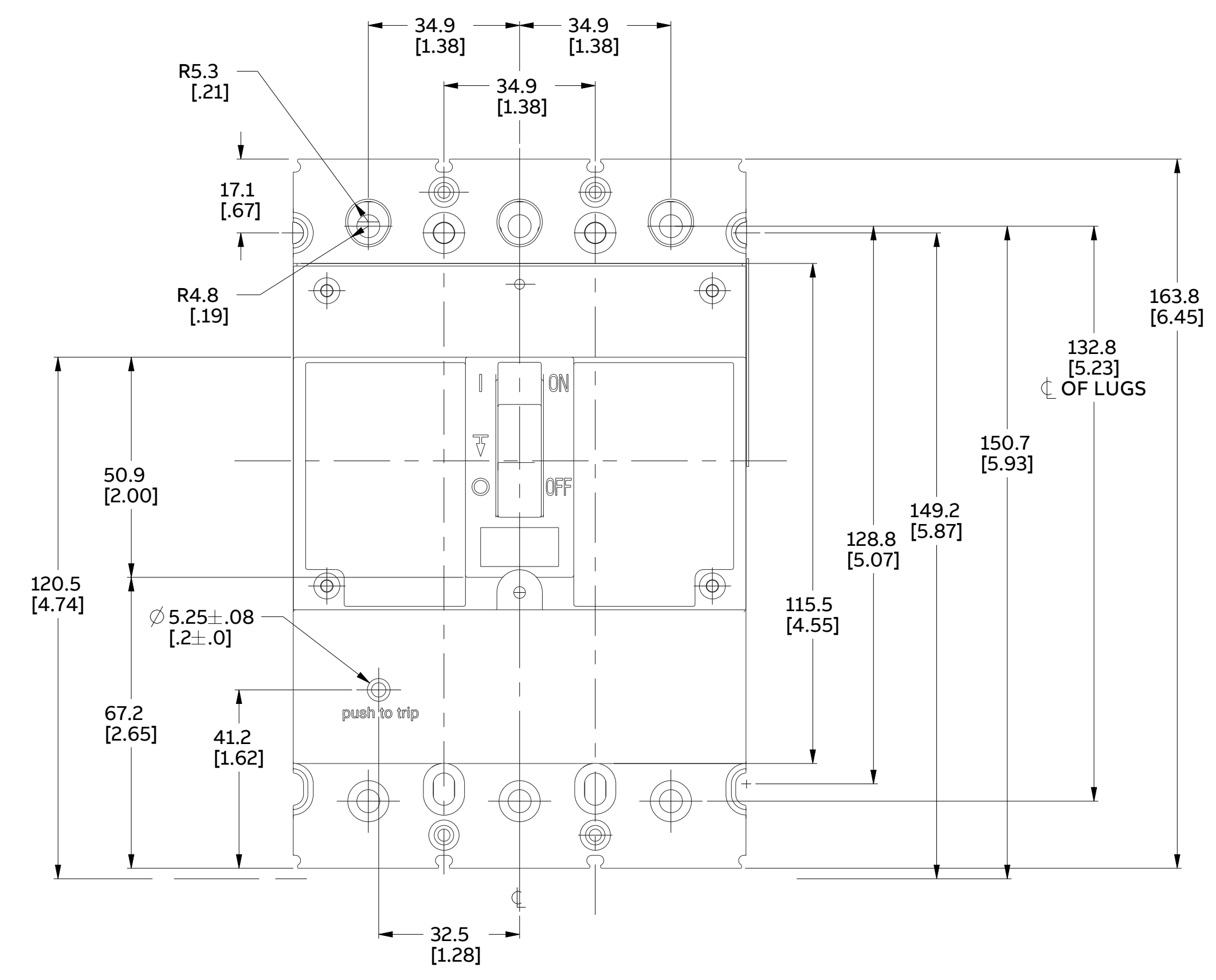


18 17 16 15 14 13 12 11



CAUTION!
KEEP AT LEAST THREE INCHES
CLEARANCE FOR EXHAUST IN
THIS AREA



CALIBRATION SCREW
1/16" HEX SOCKET
(3 PLACES)

CAUTION
KEEP AT LEAST THREE INCHES
CLEARANCE FOR EXHAUST IN
THIS AREA

HANDLE OPERATING FORCES	
OFF TO ON	80 N (MAX)
ON TO OFF	52 N (MAX)
TRIP TO RESET	82 N (MAX)

NOTE: DIMENSIONS IN BRACKET ARE IN INCHES



OUTLINE DRAWING
RECORD PLUS FB 100 3 POLE

THIRD ANGLE	SHEET#	DWG NO.	DATE	REV
	1 of 1	10091641SH1	10/19	4

18 17 16 15 14 13 12 11