

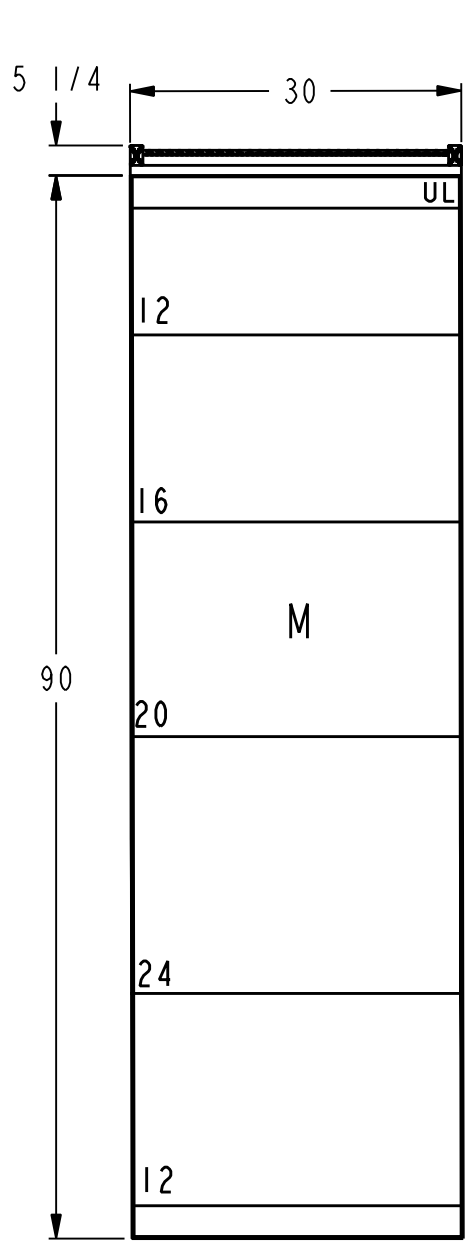
14

13

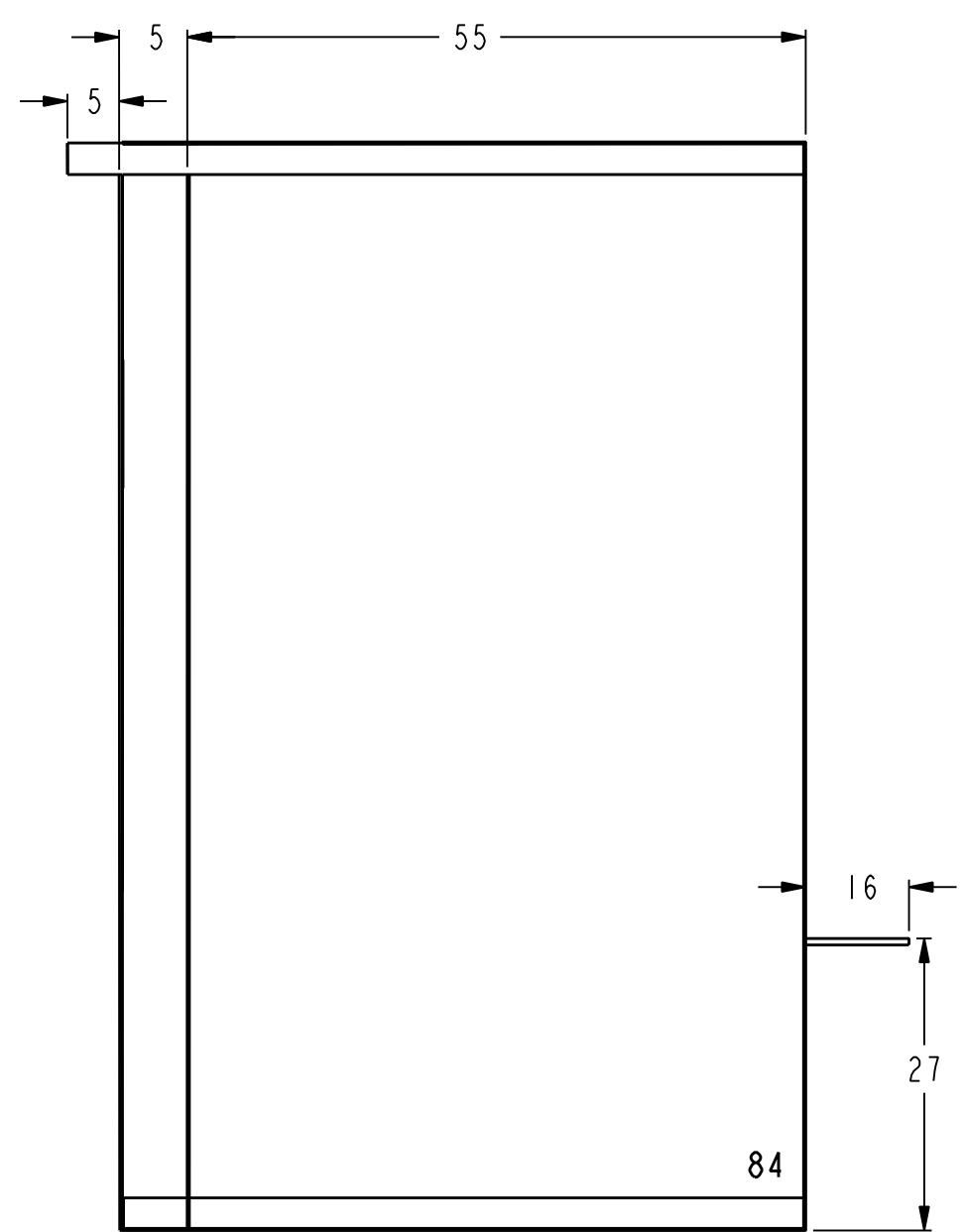
12

GE PROPRIETARY AND CONFIDENTIAL INFORMATION
 This document is the property of General Electric Company ("GE") and contains proprietary information of GE. This document is loaned on the express condition that neither it nor the information contained therein shall be disclosed to others without the express written consent of GE Industrial Systems, and that the information shall be used by the recipient only as approved expressly by GE Industrial Systems. This document shall be returned to GE upon its request. This document may be subject to certain restrictions under U.S. export control laws and regulations.

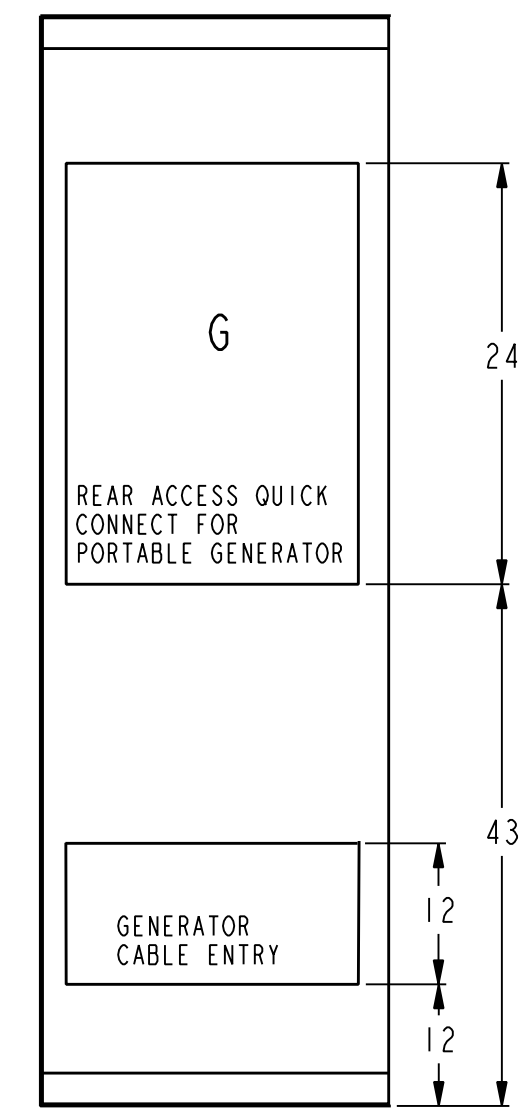
REVISIONS			
REV.	DESCRIPTION	DATE	APPROVED
01	R0902448	06/01/09	EM
02	R1003771	11/01/10	EM
03	R1016011	12/16/10	EM



FRONT VIEW
(N3R Front Removed)



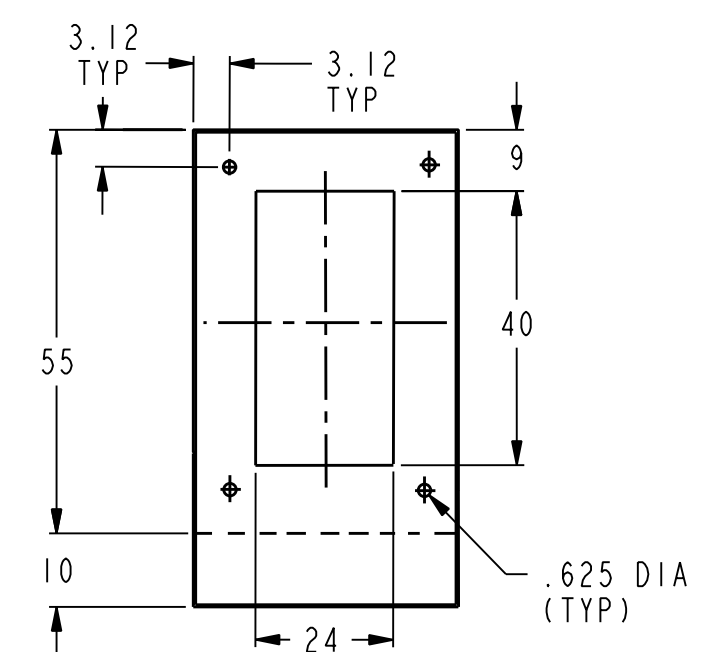
SIDE VIEW



REAR VIEW

PV23

Note: - FACILITY CONNECTIONS SETUP FOR BOTTOM ENTRY/EXIT



Bottom Conduit Area

GENERATOR CONNECTIONS:

CAM-LOCK RECEPTACLES: Hubble 400A HBLFRSC
 Qty/Phase/Color: 4/A/Brown, 4/B/Orange, 4/C/Yellow, 4/N/White, 2/Gnd/Green.)
 LUGS: 350-600 kcmil, mechanical 75°C
 Qty of cable landings : 5/A, B, C, N & Gnd

FACILITY CONNECTIONS:

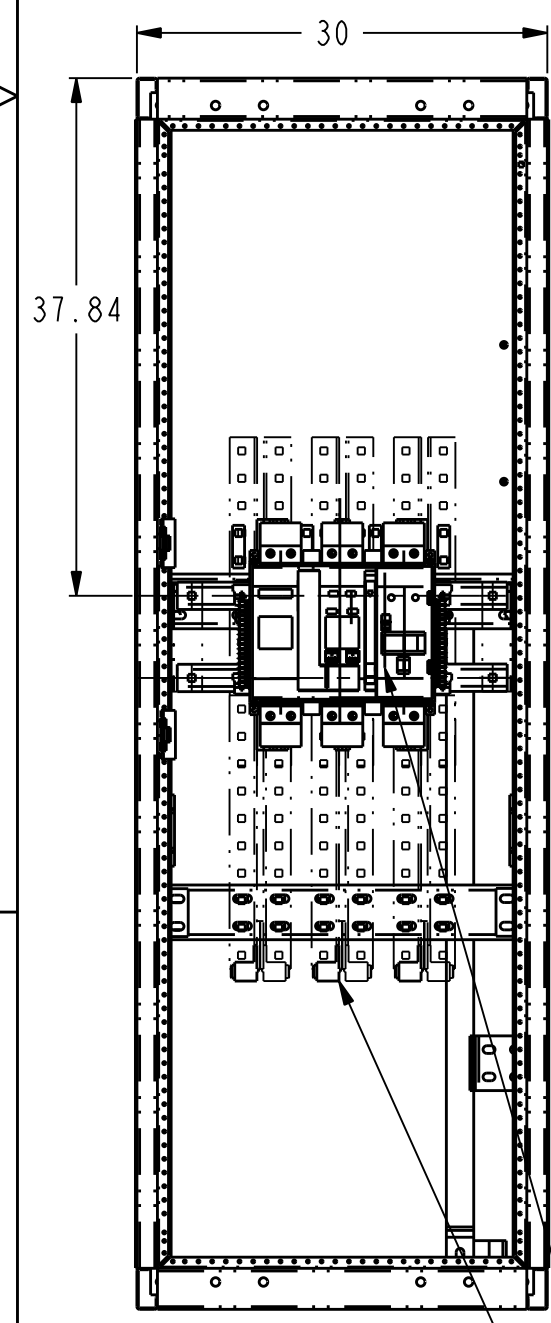
LUGS: 350-600 kcmil, mechanical 75°C
 Qty of cable landings : 5/A, B, C, N & Gnd

MAIN BREAKER:

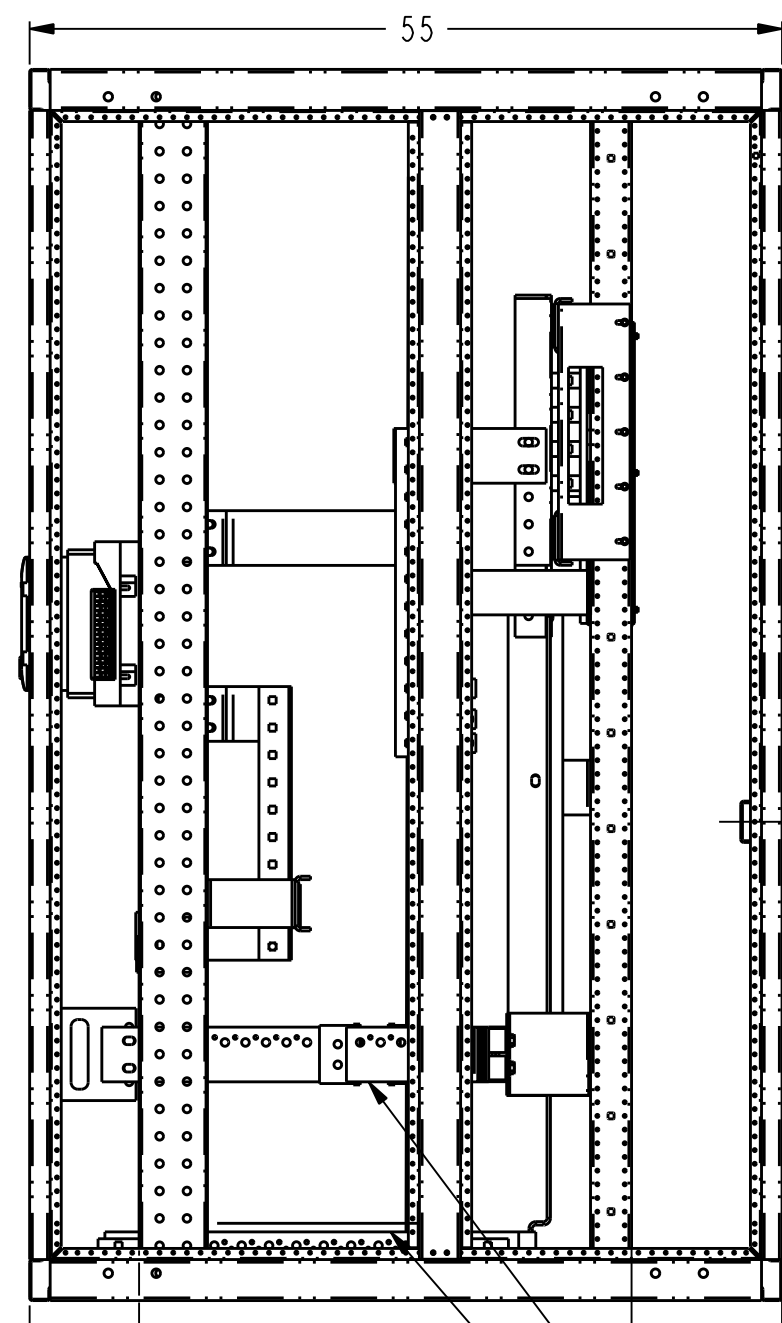
GE PB11, 1600A, 100% Current Rated, LSIGA Entelliguard TU (gf alarm only)
 stationary mounted, kirk lock provision, bell alarm.

ENCLOSURE:

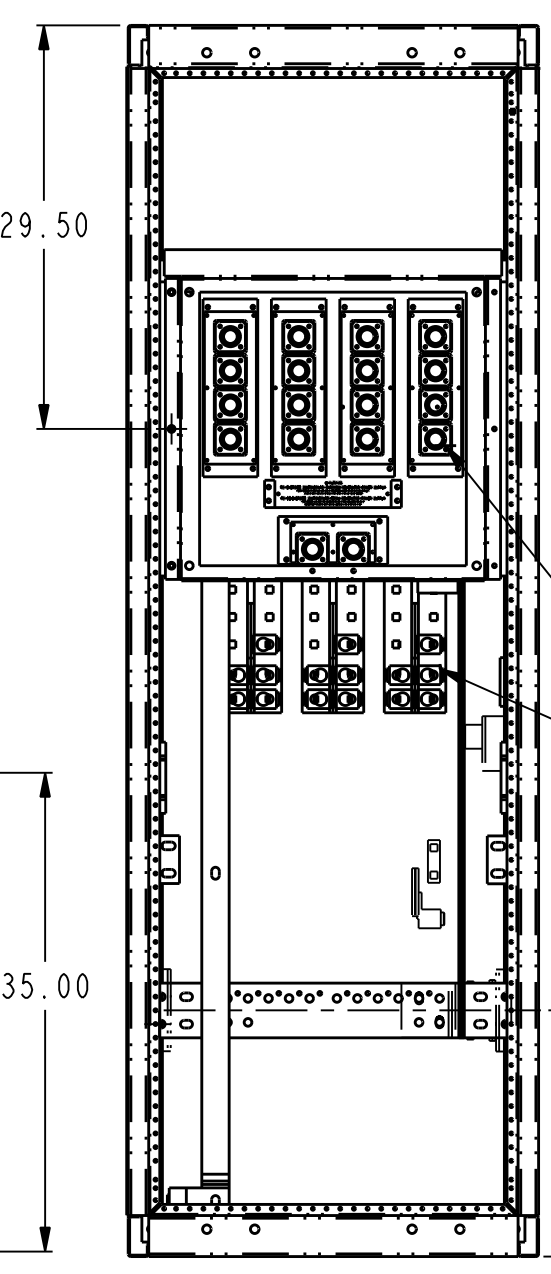
Nema 3R, galvanized roof, front door, rear and side covers powder coat painted ANSI 6l gray.



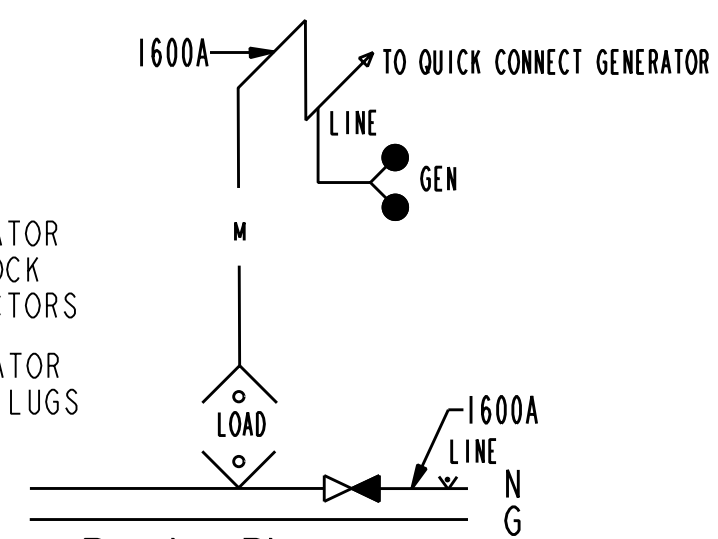
FRONT VIEW



SIDE VIEW

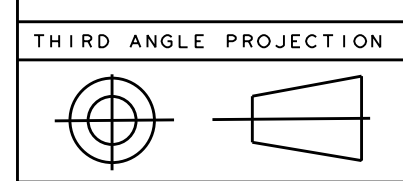


REAR VIEW



Bussing Diagram

Rear Connected
 Busbar: Copper silver plated
 Service: 480Y/277V
 Ref Catalog Number: GQC480160R3R
 Service: 208Y/120V
 Ref Catalog Number: GQC208160R3R
 AIC Rating: 65,000 Maximum
 UL Rated



BREAKER
 FACILITY CONNECTION PHASE LUGS
 NEUTRAL BUS
 GROUND BUS

Part must conform to SI 900000 Sect. 4, Toxicity Procedure

FOR ADDITIONAL INFO REFER TO: APPLIED PRACTICES DIMENSIONS ARE IN INCHES UNLESS OTHERWISE SPECIFIED IN DRAWING TOLERANCE ON: 1 PL DECIMALS ± 0.1 2 PL DECIMALS ± 0.02 3 PL DECIMALS ± 0.005 ANGLES ± 0.5 FRACTIONS ± FINISH	SIGNATURES	DATE
	MODEL SIVA	06/01/09
	DETAIL SIVA	06/01/09
	CHECKED HASHIM	06/01/09
	ENGRG	
	MFG	
	QUALITY	
	ISSUED	
	DRAWING FILE: 10093082PV23	
	SOLID MODEL: MODEL NAME	

GE Consumer & Industrial		GENERAL ELECTRIC COMPANY	
TITLE			
FRONT VIEW GenTower - 1600A			
SIZE	DRAWING	REV	
C		10093082	03
SCALE: DRAWING SCALE		SHEET 23	

14

13

12

11