

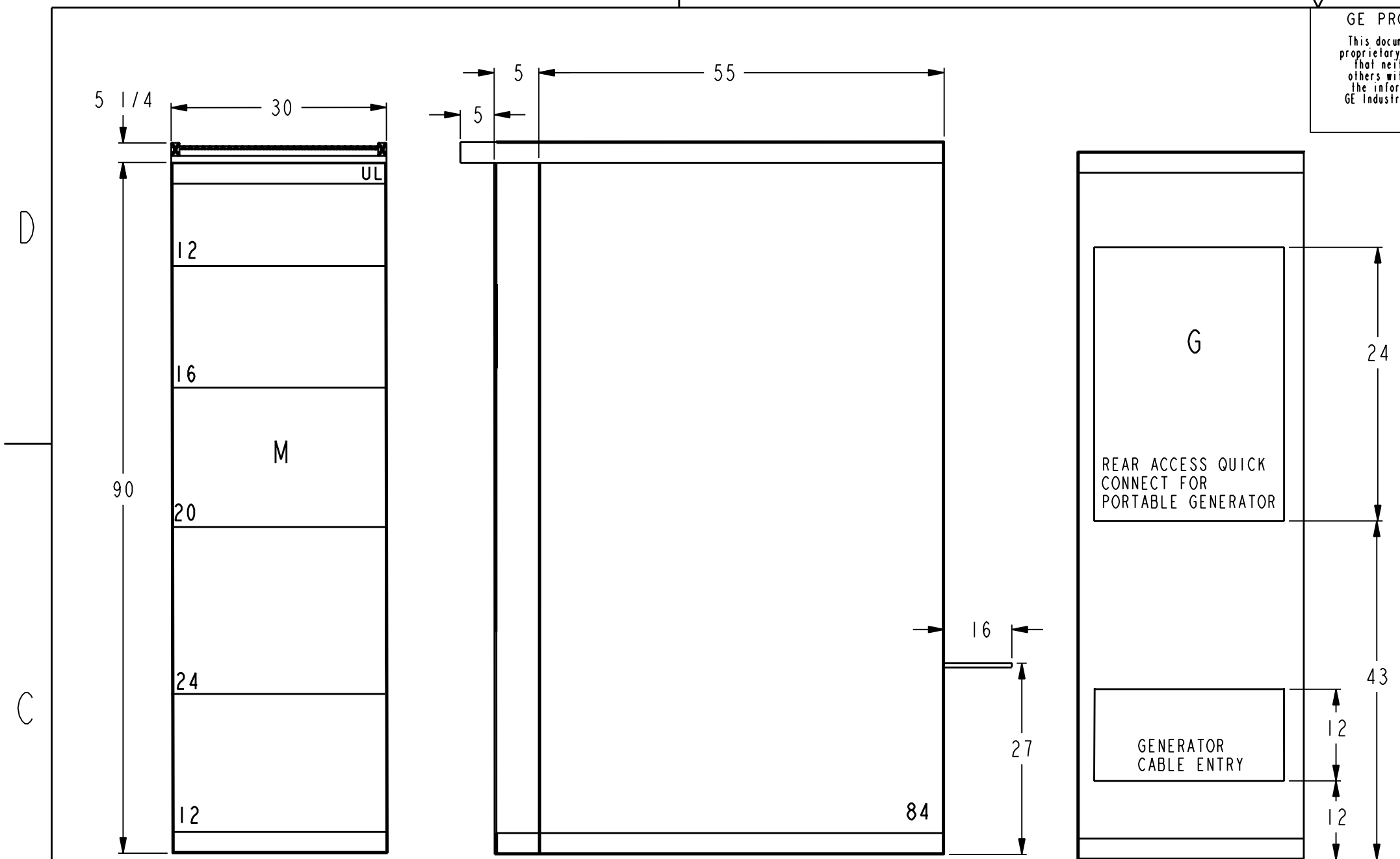
14

13

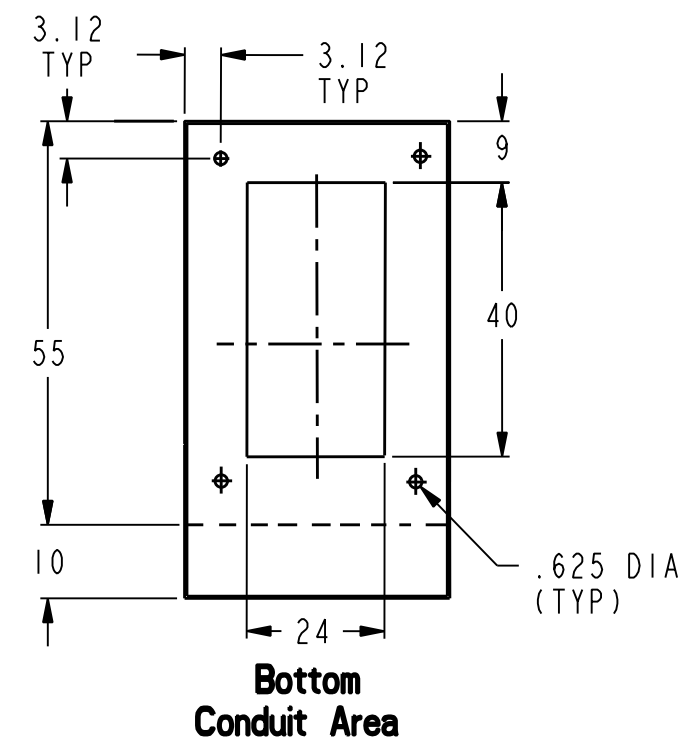
12

GE PROPRIETARY AND CONFIDENTIAL INFORMATION
 This document is the property of General Electric Company ("GE") and contains proprietary information of GE. This document is loaned on the express condition that neither it nor the information contained therein shall be disclosed to others without the express written consent of GE Industrial Systems, and that the information shall be used by the recipient only as approved expressly by GE Industrial Systems. This document shall be returned to GE upon its request. This document may be subject to certain restrictions under U.S. export control laws and regulations.

REVISIONS			
REV.	DESCRIPTION	DATE	APPROVED
01	R0902448	06/01/09	EM
02	R1003771	11/01/10	EM
03	R1016011	12/16/10	EM



(PV24)
 Note:-
 FACILITY CONNECTIONS SETUP FOR BOTTOM ENTRY/EXIT



GENERATOR CONNECTIONS:

CAM-LOCK RECEPTACLES: Hubble 400A HBLFRSC
 Qty/Phase/Color: 5/A/Brown, 5/B/Orange, 5/C/Yellow, 5/N/White, 2/Gnd/Green.
 LUGS: 350-600 kcmil, mechanical 75°C
 Qty of cable landings : 6/A, B, C, N & Gnd

FACILITY CONNECTIONS:

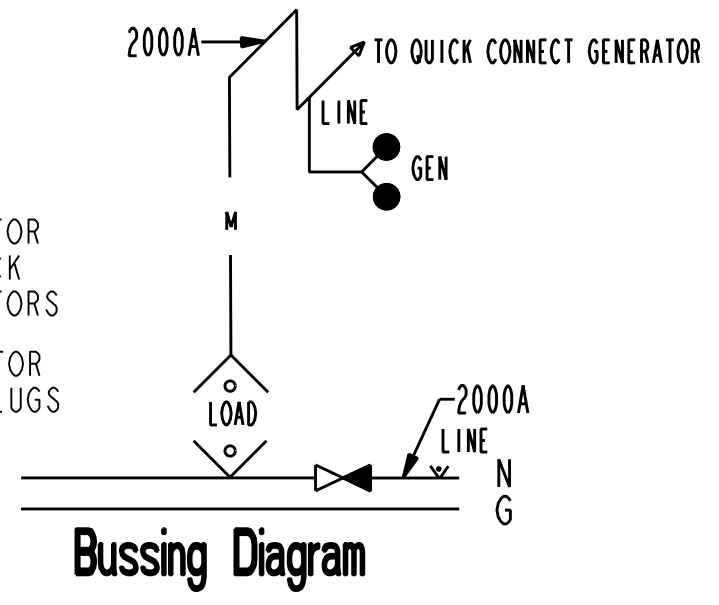
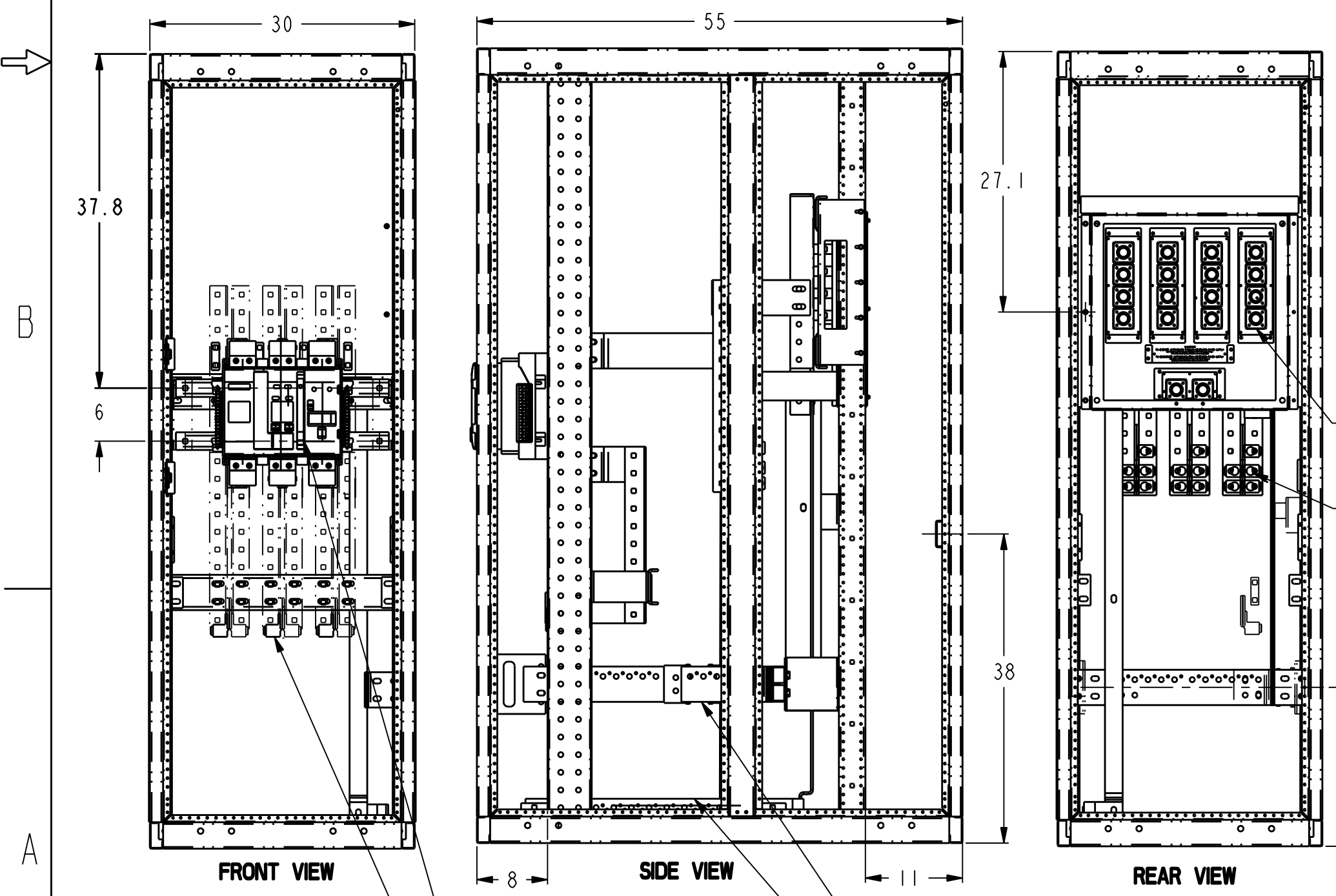
LUGS: 350-600 kcmil, mechanical 75°C
 Qty of cable landings : 6/A, B, C, N & Gnd

MAIN BREAKER:

GE PB11, 2000A, 100% Current Rated, LSIGA Entelliguard TU (gf alarm only)
 stationary mounted, kirk lock provision, bell alarm.

ENCLOSURE:

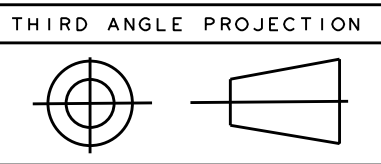
Nema 3R, galvanized roof, front door, rear and side covers powder coat painted ANSI 61 gray.



Rear Connected
 Busbar: Copper silver plated
 Service: 480Y/277V
 Ref Catalog Number: GQC480200R3R
 Service: 208Y/120V
 Ref Catalog Number: GQC208200R3R
 AIC Rating: 65,000 Maximum
 UL Rated

Part must conform to SI 900000 Sect. 4, Toxicity Procedure

FOR ADDITIONAL INFO REFER TO: APPLIED PRACTICES	SIGNATURES		DATE	GE Consumer & Industrial GENERAL ELECTRIC COMPANY
	MODEL	SIVA	06/01/09	
	DETAIL	SIVA	06/01/09	
	CHECKED	HASHIM	06/01/09	
DIMENSIONS ARE IN INCHES UNLESS OTHERWISE SPECIFIED IN DRAWING	ENGRG			TITLE FRONT VIEW GenTower - 2000A
	MFG			
	QUALITY			
	ISSUED			
TOLERANCE ON: 1 PL DECIMALS ± 0.1 2 PL DECIMALS ± 0.02 3 PL DECIMALS ± 0.005 ANGLES ± 0.5	FRACTIONS ±		FINISH	SIZE C
DRAWING FILE: 10093082PV24			SCALE: DRAWING SCALE	DRAWING 10093082
SOLID MODEL: MODEL NAME				REV 03
CRITICAL TO QUALITY CHARACTERISTIC				SHEET 24



14

13

12

11