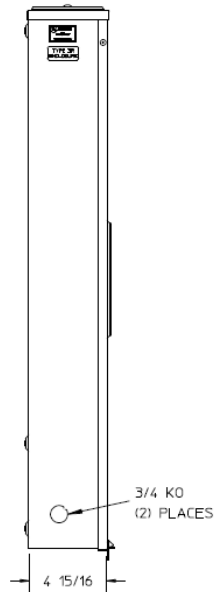
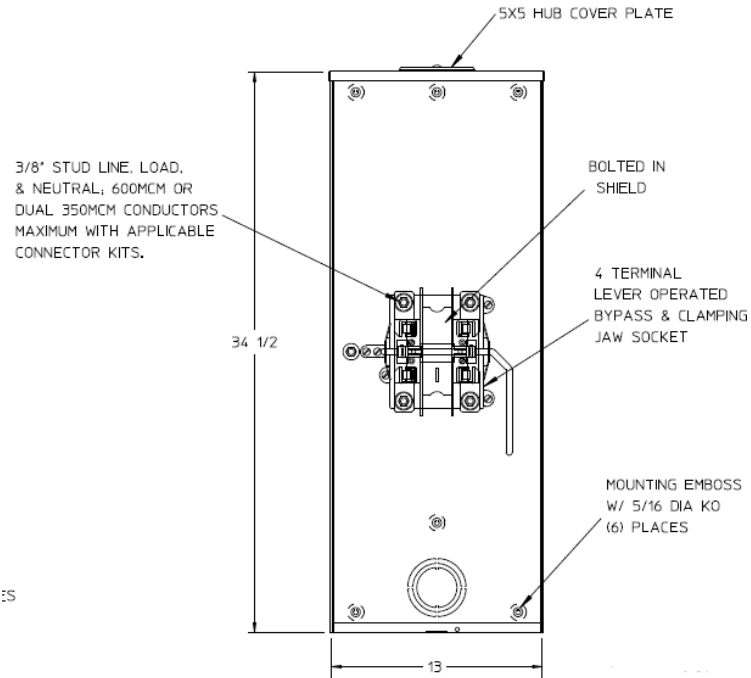


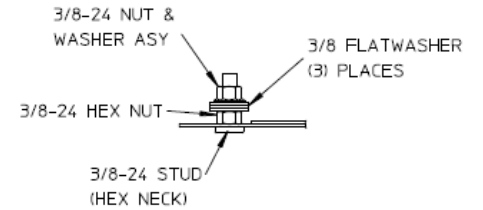
Left Side View



Front View Interior



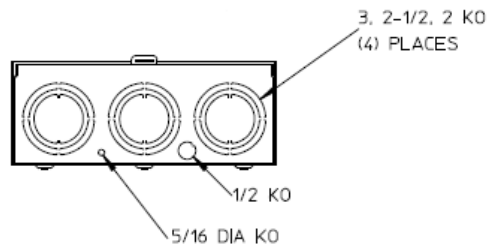
Neutral Stud Detail



Notes

- 1) FINISH: GRAY
- 2) CABINET: 16 GA GALV STEEL
- 3) 320 AMP CONTINUOUS, 600 VAC, 1 PHASE, 3 WIRE, 320 AMP BYPASS
- 4) GE LABEL ATTACHED TO THE END OF THE CARTON
- 5) TEMPORARY CARDBOARD METER OPENING COVER PROVIDED
- 6) GE LOGO STAMPED ON LOWER LEFT HAND CORNER OF THE FRONT
- 7) SAFETY LABEL IS LOCATED ON THE LOWER RIGHT-HAND CORNER OF THE FRONT

Bottom View



GE is a registered trademark used under license from General Electric company.



METER SKT- (1) 320A 600V 1P3W G90 N3R 4-TRM LARGE HUBCVPL LVR BYP TOP/BOT FEED DECO APPROVED

CAT NO	DWG DATE	REV #
1009788AGE	04/15/2016	02