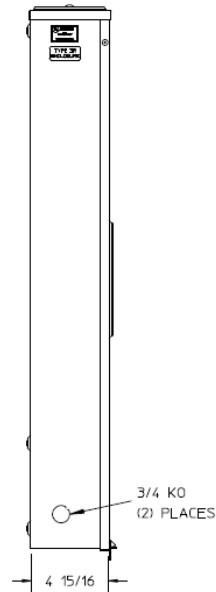
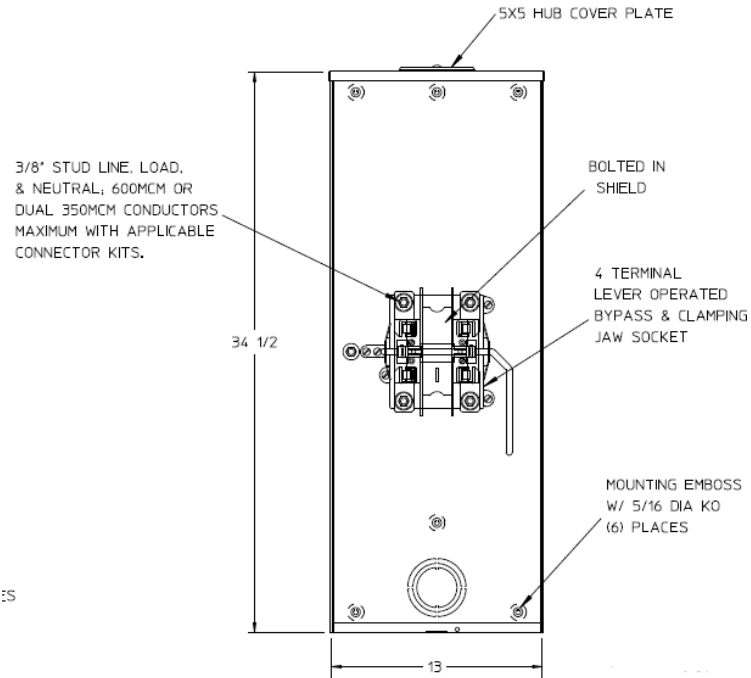


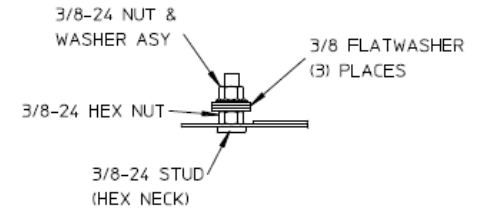
Left Side View



Front View Interior



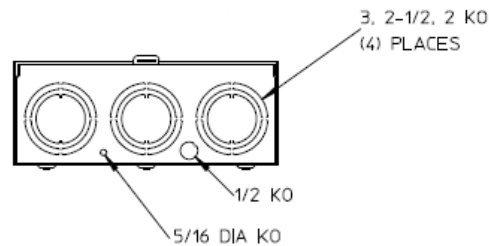
Neutral Stud Detail



Notes

- 1) FINISH: GRAY
- 2) CABINET: 16 GA GALV. STEEL
- 3) 320 AMP CONTINUOUS
600 VAC, 1 PHASE, 3 WIRE
320 AMP BYPASS
- 4) TEMPORARY CARDBOARD METER
OPENING COVER PROVIDED
- 5) MIDWEST LABEL ATTACHED TO THE
END OF THE CARTON
- 6) MIDWEST LOGO LOCATED IN THE LOWER
LEFT-HAND CORNER OF THE FRONT
- 7) SAFETY LABEL IS LOCATED ON THE
LOWER RIGHT-HAND CORNER OF THE FRONT

Bottom View



		
METER SKT- (1) 320A 600V 1P3W G90 N3R 4-TRM LARGE HUBCVPL LVR BYP TOP/BOT FEED DECO APPROVED		
CAT NO	DWG DATE	REV #
1009788AMEP	04/15/2016	02