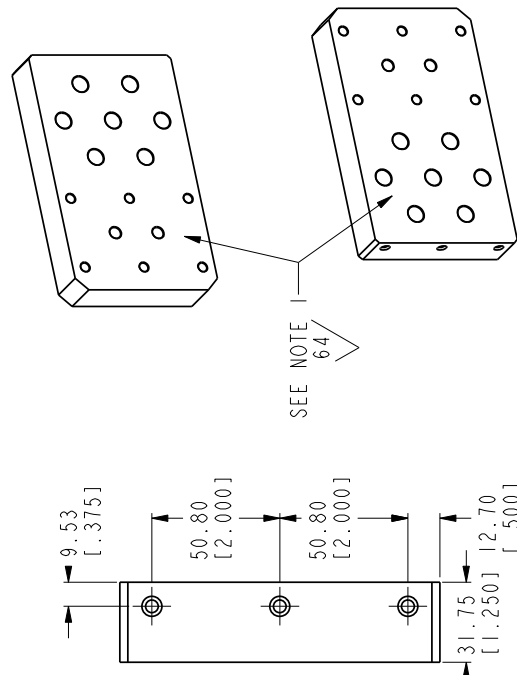
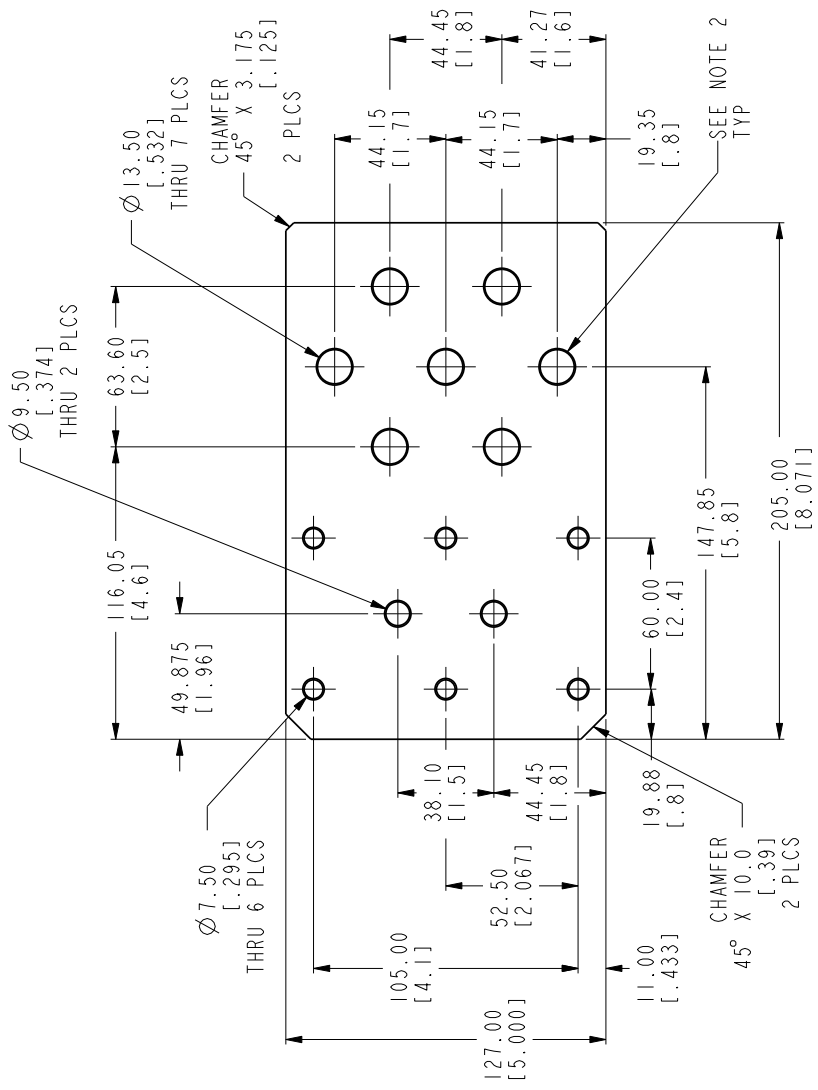


METRIC

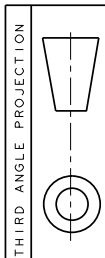
GE PROPRIETARY AND CONFIDENTIAL INFORMATION
This document is the property of General Electric Company ("GE"), and contains proprietary information of GE. This document is loaned to the express condition that neither it nor the information contained herein shall be disclosed to others without the express written consent of GE Industrial Systems, and that it shall remain the property of GE Industrial Systems. This document shall be returned to GE upon its request. This document may be subject to certain restrictions under U.S. export control laws and regulations.

REV.	DESCRIPTION	DATE	APPROVED
1	R1102469	YY 02/18/11	AJ



MATERIAL : B11B4C2 HIGH CONDUCTIVITY COPPER (HALF HARD)
 CONDUCTIVITY >=57 S/m
 REMOVE SHARP EDGES AND BURRS
 NOTE 1 : CONTACT MAKING SURFACES TO BE DENT & BURR FREE
 NOTE 2 : DEBURR HOLES ON BOTH SIDES
 DIMS IN [xxx] ARE INCHES

P2



THIRD ANGLE PROJECTION

SIGNED		DATE	
MODEL	JOE	12/08/11	
DETAIL	RAGHAV	12/08/11	
CHECKED	RAGHAV	12/08/11	
ENGRG			
MFG			
QUALITY			
ISSUED			
DRAWING TITLE: 10100274P2		REV	
SHEET NO: 10100274P2		1	
SCALE: 1:2		REF. No.:	

GE Consumer & Industrial
FR2, CASSETTE TERMINAL PAD
 FOR UL PV BREAKER 3000A

Part must conform to S1-900000
 RoHS Procedure S1900000 Sec. 13

METRIC