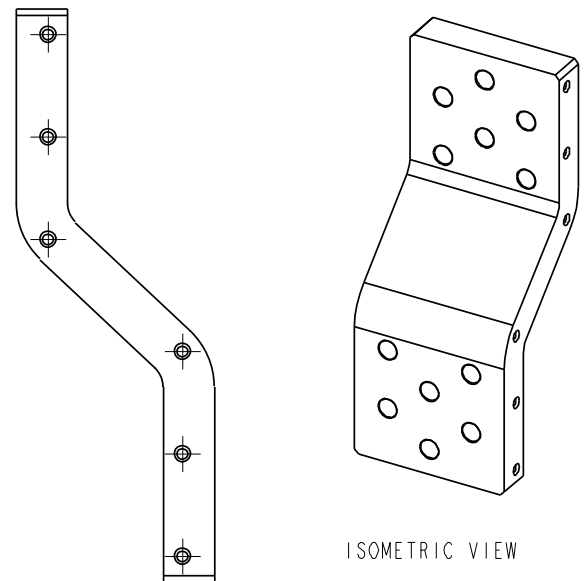
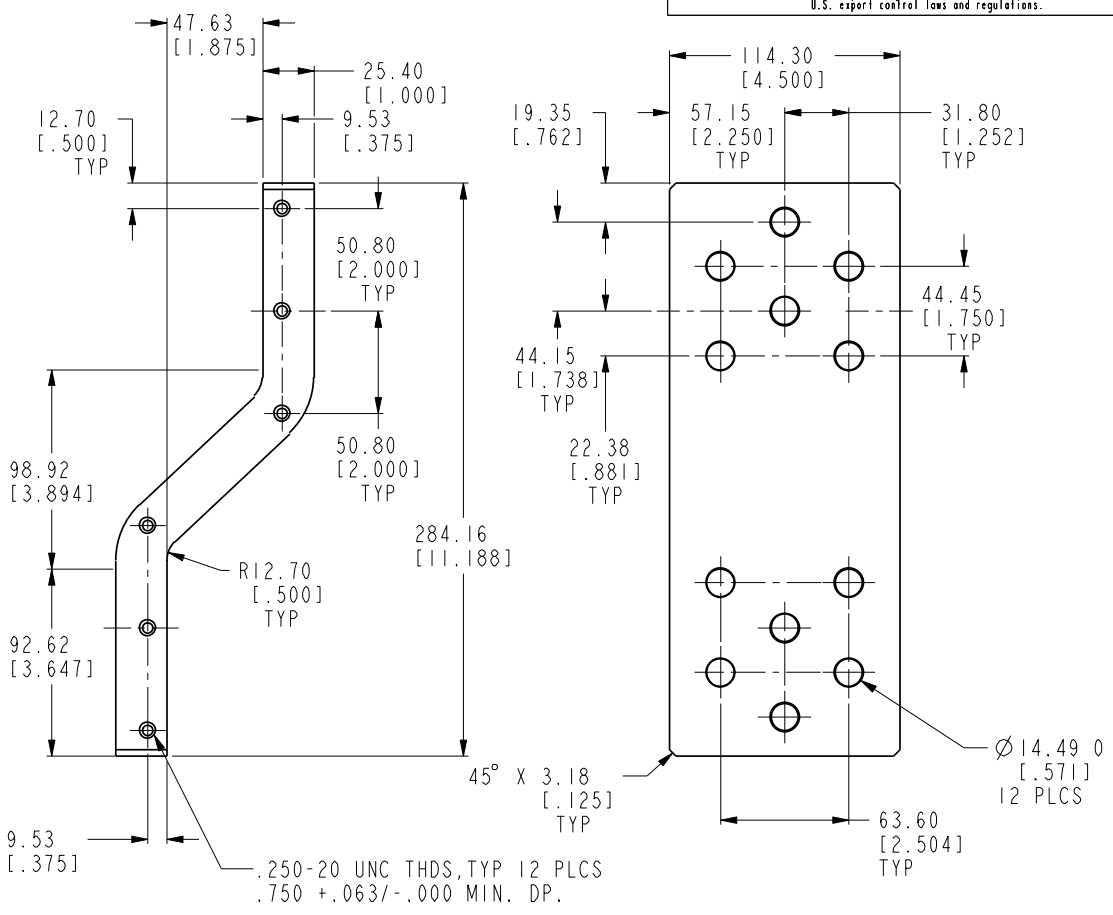


GE PROPRIETARY AND CONFIDENTIAL INFORMATION
 This document is the property of General Electric Company ("GE") and contains proprietary information of GE. This document is loaned on the express condition that neither it nor the information contained therein shall be disclosed to others without the express written consent of GE Industrial Systems, and that the information shall be used by the recipient only as approved expressly by GE Industrial Systems. This document shall be returned to GE upon its request. This document may be subject to certain restrictions under U.S. export control laws and regulations.

REVISIONS				
REV.	DESCRIPTION	DATE	APPROVED	
1	R1102469	YY 02/03/11	AJ	

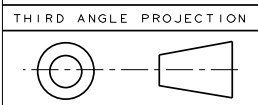
METRIC



ISOMETRIC VIEW

P1

- NOTES :
- 1) MAT'L : B11B4C2 (HALF - HARD, HIGH CONDUCTIVITY COPPER). CONDUCTIVITY = > 57 S/m COPPER.
 - 2) ROUGH STOCK MUST BE WIDE ENOUGH TO ALLOW FOR THE FULL DIMENSIONAL 'CLEAN UP' OF THE 4.500" WIDE FEATURE AFTER BENDING THE TWO 'Z-SHAPE' BEND(S) IN PART.
 - 3) FINISH AFTER BRAZING F70F2A(DULL TIN ELECTROPLATE).
 - 4) BREAK ALL SHARP EDGES AND REMOVE ALL BURRS.
 - 5) NO DENTS OR BURRS IN CONTACT AREAS, 3 PLCS.



Article or Material Must Conform to RoHS Procedure SI900000 Sec. 13
 Part must conform to SI 900000 Sect. 4, Toxicity Procedure

FOR ADDITIONAL INFO REFER TO:	SIGNATURES	DATE	GE Consumer & Industrial GENERAL ELECTRIC COMPANY
APPLIED PRACTICES EDB	MODEL JOE	02/03/11	
DIMENSIONS ARE IN MILLIMETERS	DETAIL YY	02/03/11	TITLE FR2, SHORTING LINK 1" THK FOR UL PV BREAKER 3000A
UNLESS OTHERWISE SPECIFIED IN DRAWING	CHECKED RAGHAV	02/03/11	
TOLERANCE ON:	ENGRG	-	
1 PL DECIMALS ± 0.3	MFG	-	
2 PL DECIMALS ± 0.13	QUALITY	-	
ANGLES ± 0.5	ISSUED	-	SIZE DRAWING
FRACTIONS ±			A3
FINISH			10100276
CRITICAL TO QUALITY CHARACTERISTIC	DRAWING FILE: 10100276		REV 1
	SOLD MODEL: 10100276P1		SCALE: 3:10
			REF. No.:
			SHEET 1 of 1

METRIC