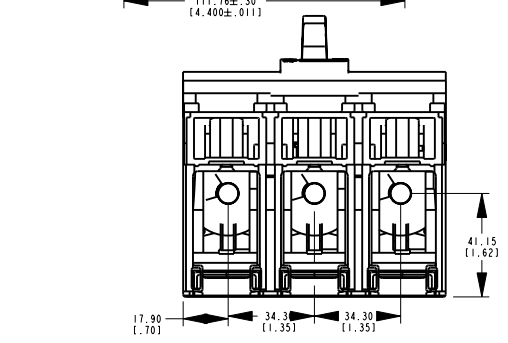
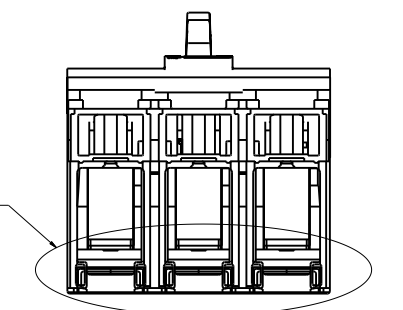
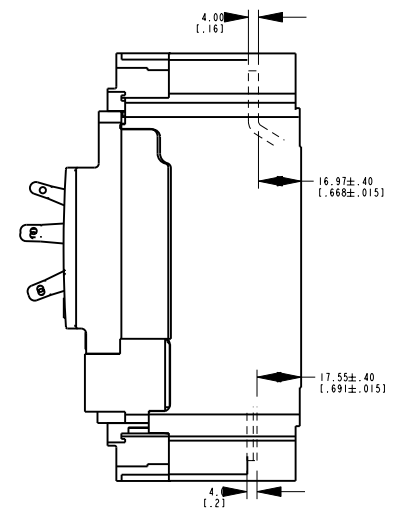
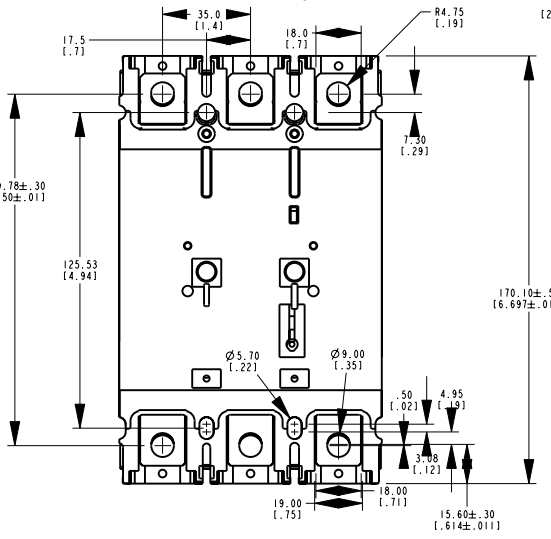
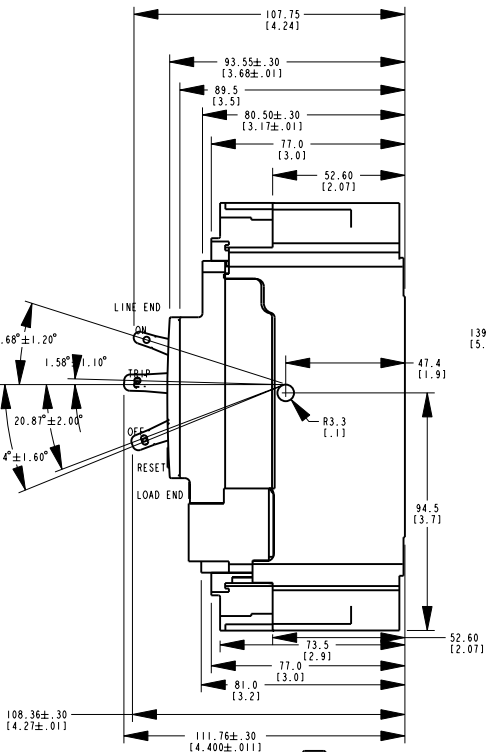
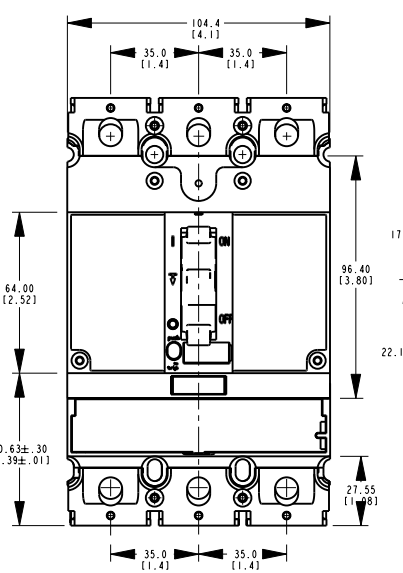
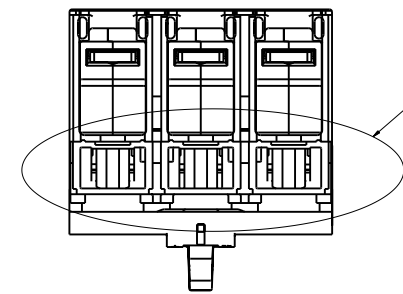
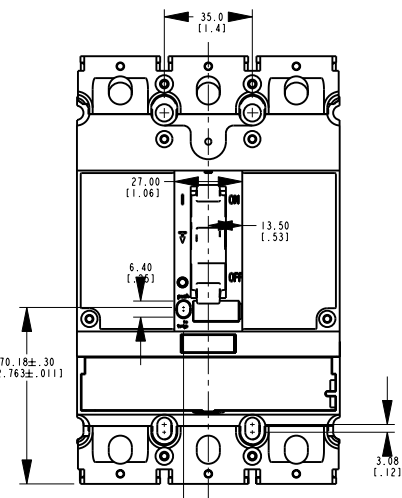
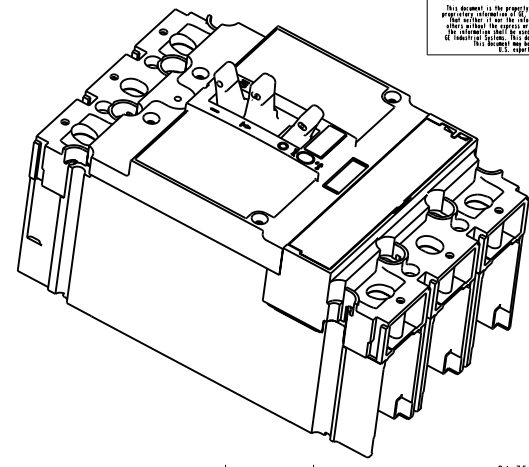
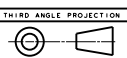


GE PROPRIETARY AND CONFIDENTIAL INFORMATION  
 This document is the property of General Electric Company (GE) and contains proprietary information. It is to be used only for the specific purpose for which it was prepared. It is not to be distributed, copied, or otherwise used without the express written consent of GE Industrial Systems, and then only for the purpose and on the terms specified in the consent. This document shall remain the property of GE Industrial Systems. This document may be subject to export restrictions under U.S. export control laws and regulations.

REVISIONS		DATE	APPROVED
REV. 01	DESCRIPTION	AM	
01	ROB17137 (INITIAL RELEASE)	03/27/08	



NOTE:  
 160 N MAXIMUM HANDLE OPERATING FORCE MEASURED  
 6.5 MM FROM TIP OF HANDLE



FOR ADDITIONAL INFO REFER TO: APPLIED PRACTICES	SIGNATURES	DATE	GE Industrial Systems	GENERAL ELECTRIC COMPANY
DIMENSIONS ARE IN MILLIMETERS UNLESS OTHERWISE SPECIFIED IN DRAWING	MODEL	11/25/2001		
TOLERANCE ON: 1 PL DECIMALS ± 0.3 2 PL DECIMALS ± 0.13 ANGLES ± 1.0 FRACTIONS *	CHECKED	AM	03/27/2008	TITLE
FINISH	ENG			OUTLINE DRAWING
CRITICAL TO QUALITY CHARACTERISTIC	MFG			RECORD PLUS E FRAME
	QUALITY			ELECTRONIC TRIP UNIT 25 - 250 AMPS
	ISSUED			
	DRAWING FILE:	10101247P1	SCALE: 1:1	SHEET 1 OF 1
	SOLID MODEL:	10101247P1		