

SIZE: DRAWING NO. 10101388

SHEET

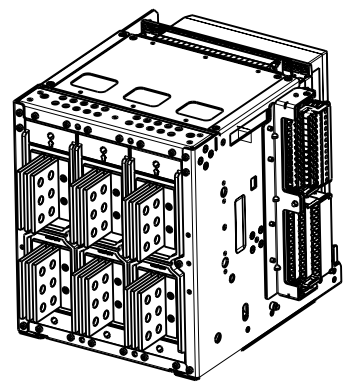
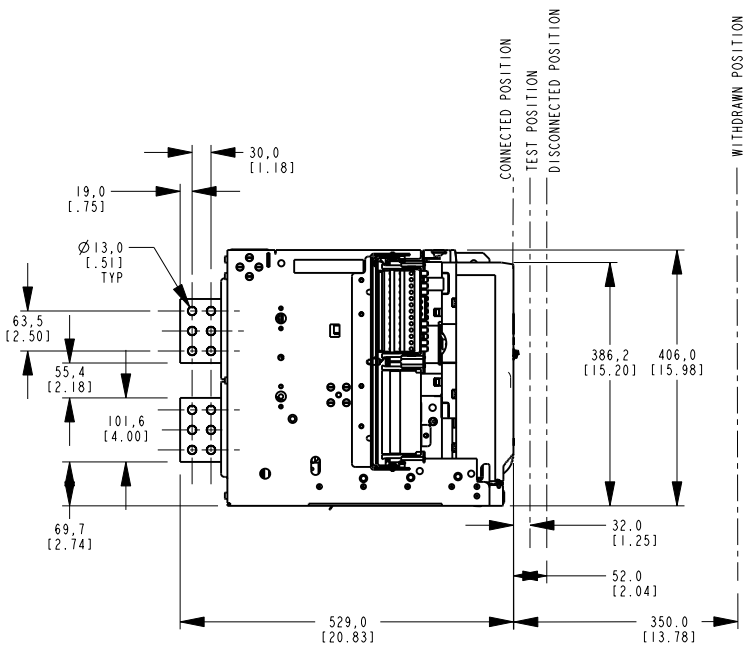
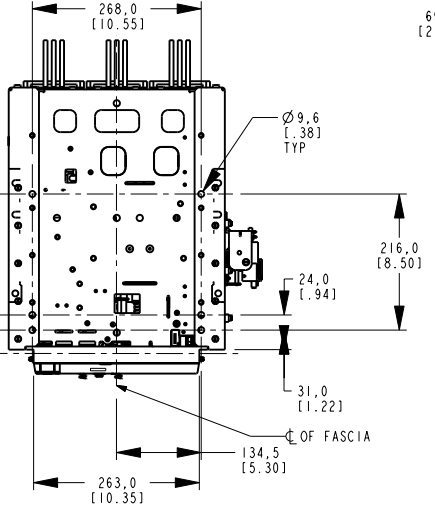
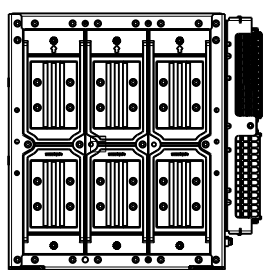
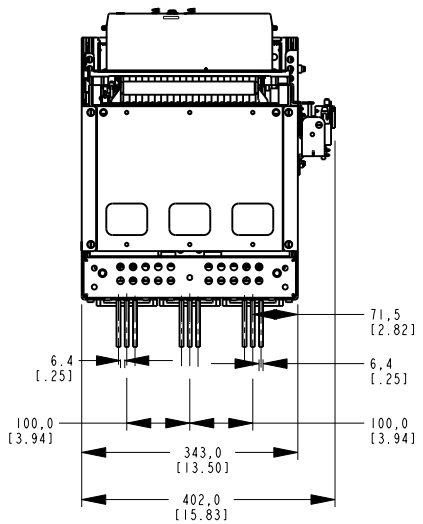
REV

A3

**GE PROPRIETARY AND CONFIDENTIAL INFORMATION**  
 This document is the property of General Electric Company ("GE") and contains proprietary information of GE. This document is loaned on the express condition that neither it nor the information contained therein shall be disclosed to others without the express written consent of GE Industrial Systems, and that the information shall be used by the recipient only as approved expressly by GE Industrial Systems. This document shall be returned to GE upon its request. This document may be subject to certain restrictions under U.S. export control laws and regulations.

REVISIONS			
REV.	DESCRIPTION	DATE	APPROVED
1	R0818652	04/11/08	

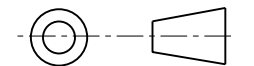
METRIC



PVI

NOTE:  
 COPPER WORK MUST BE SUPPORTED WITHIN 200MM (7.87 INCH) OF BREAKER CONNECTIONS - BUS BAR OR CABLES  
 ALL CONNECTIONS TO BE TIGHTENED TO 50NM (442.5 Lb-INCH) TORQUE

THIRD ANGLE PROJECTION



BREAKER MOUNTING DETAIL

Part must conform to SI 900000 Sect. 4, Toxicity Procedure

FOR ADDITIONAL INFO REFER TO:	SIGNATURES		DATE
APPLIED PRACTICES	MODEL	SHRINIVAS	04/11/08
DIMENSIONS ARE IN MILLIMETERS	DETAIL	SHRINIVAS	04/11/08
UNLESS OTHERWISE SPECIFIED IN DRAWING	CHECKED		
TOLERANCE ON:	ENGRG		
1 PL DECIMALS ± 0.3	MFG		
2 PL DECIMALS ± 0.13	QUALITY		
ANGLES ± 0.5	ISSUED		
FRACTIONS ±			
FINISH			
CRITICAL TO QUALITY CHARACTERISTIC	DRAWING FILE:	10101388PVI	
	SOLID MODEL:	10101388PVI	

GE Consumer & Industrial GENERAL ELECTRIC COMPANY	
TITLE ANS1/UL489, 3 POLE DRAWOUT 2000A, TYPE N, H EntelliGuard G LVPCB	
SIZE A3	DRAWING 10101388
SCALE: 0.125	REF. No: .
REV 1	SHEET 1 of 1

METRIC