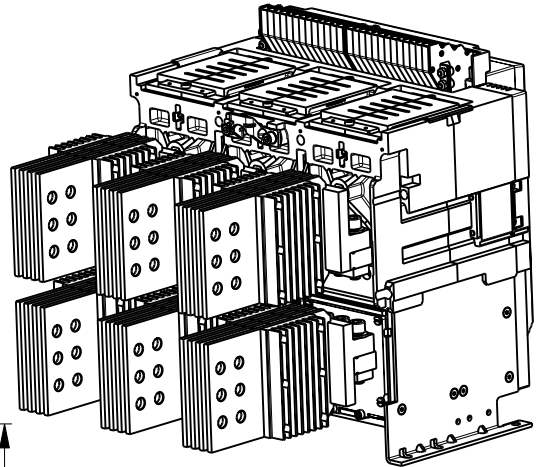
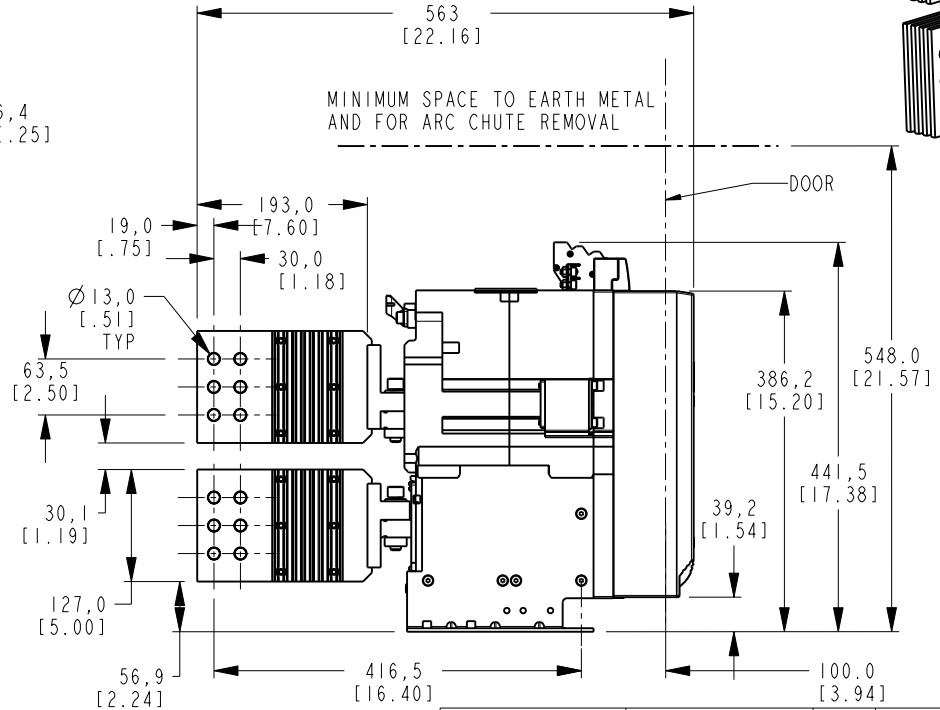
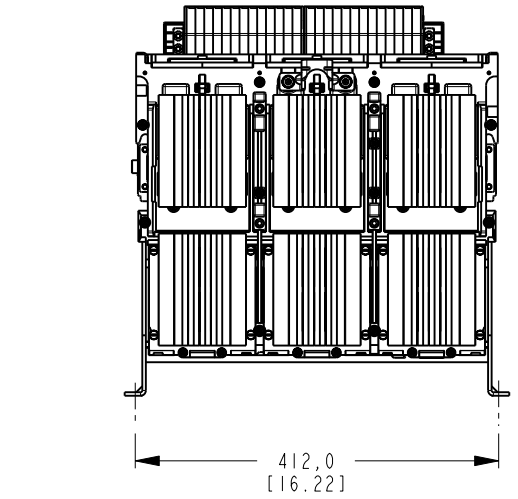
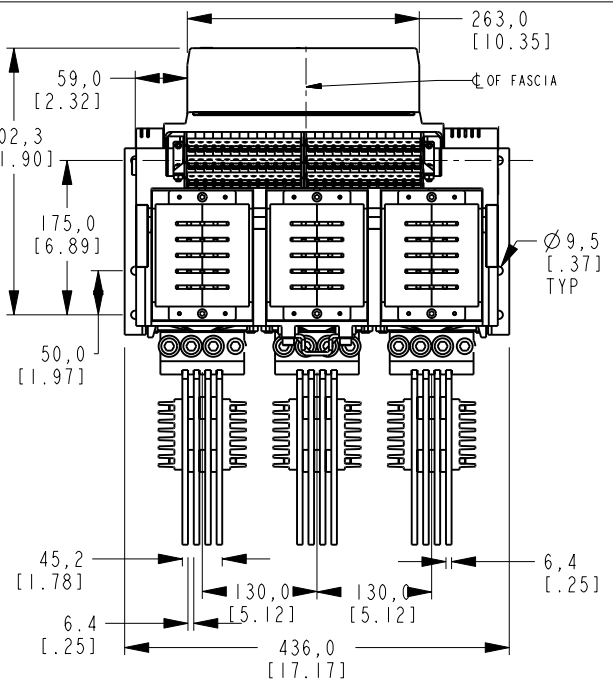


SHEET 10101395
 REV. A3
 DRAWING NO. A3

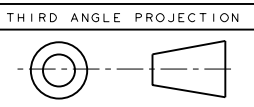
GE PROPRIETARY AND CONFIDENTIAL INFORMATION
 This document is the property of General Electric Company ("GE") and contains proprietary information of GE. This document is loaned on the express condition that neither it nor the information contained therein shall be disclosed to others without the express written consent of GE Industrial Systems, and that the information shall be used by the recipient only as approved expressly by GE Industrial Systems. This document shall be returned to GE upon its request. This document may be subject to certain restrictions under U.S. export control laws and regulations.

| REVISIONS | | | |
|-----------|-------------|----------|----------|
| REV. | DESCRIPTION | DATE | APPROVED |
| 1 | R0818652 | 04-11-08 | |



PVI

UL489 2500A TYPE N, H, M
 UL489 3000A TYPE H, M



NOTE:
 COPPER WORK MUST BE SUPPORTED WITHIN 200mm(7.87inch) OF BREAKER CONNECTIONS - BUS BAR OR CABLES
 ALL CONNECTIONS TO BE TIGHTENED TO 50Nm (442.5 Lb-inch) TORQUE

Part must conform to SI 900000 Sect. 4, Toxicity Procedure

| | | | |
|---|---------------|-------------|----------|
| FOR ADDITIONAL INFO REFER TO: | SIGNATURES | | DATE |
| APPLIED PRACTICES | MODEL | REKHA | 04-11-08 |
| DIMENSIONS ARE IN MILLIMETERS UNLESS OTHERWISE SPECIFIED IN DRAWING | DETAIL | REKHA | 04-11-08 |
| TOLERANCE ON: | CHECKED | | |
| 1 PL DECIMALS ± 0.3 | ENGRG | | |
| 2 PL DECIMALS ± 0.13 | MFG | | |
| ANGLES ± 0.5 | QUALITY | | |
| FRACTIONS ± | ISSUED | | |
| FINISH | | | |
| CRITICAL TO QUALITY CHARACTERISTIC | DRAWING FILE: | 10101395PVI | |
| | SOLID MODEL: | 10101395PVI | |

| | | |
|-------------------------------------|---|-----------------------|
| GE Consumer & Industrial | GENERAL ELECTRIC COMPANY | |
| | TITLE UL489, 3 POLE FIXED/STATIONARY | |
| EntelliGuard G LVPCB | | SCALE: 0.175 REF. No: |
| SIZE A3 DRAWING | 10101395 | REV 1 SHEET 1 of 1 |

METRIC