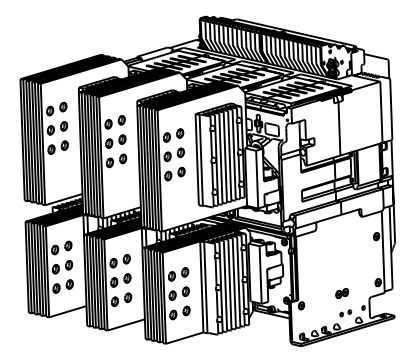
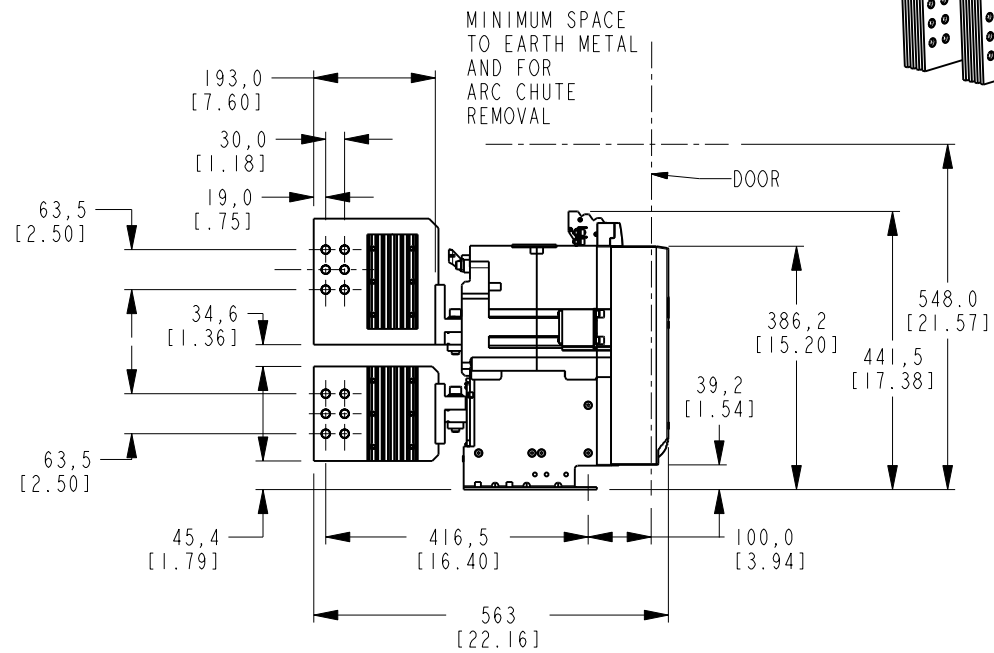
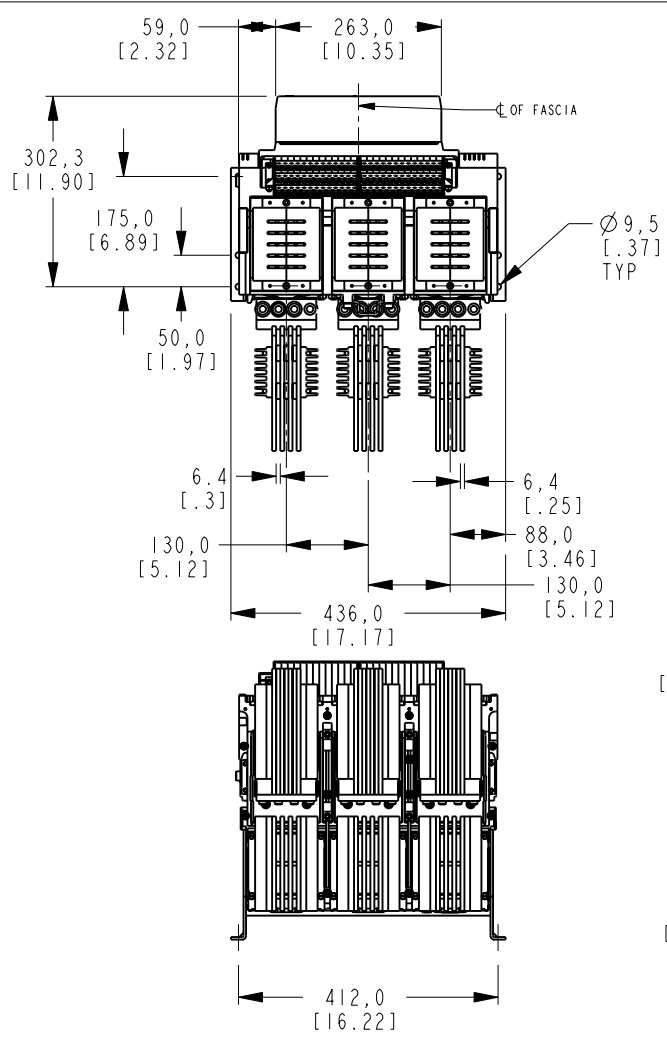


SHEET  
REV  
10101396  
SIZE  
DRAWING NO.  
A3

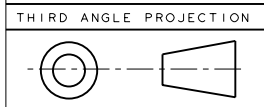
GE PROPRIETARY AND CONFIDENTIAL INFORMATION  
 This document is the property of General Electric Company ("GE") and contains proprietary information of GE. This document is loaned on the express condition that neither it nor the information contained therein shall be disclosed to others without the express written consent of GE Industrial Systems, and that the information shall be used by the recipient only as approved expressly by GE Industrial Systems. This document shall be returned to GE upon its request. This document may be subject to certain restrictions under U.S. export control laws and regulations.

REVISIONS			
REV.	DESCRIPTION	DATE	APPROVED
1	R0818652	4-10-08	



PVI

NOTE:  
 COPPER WORK MUST BE SUPPORTED WITHIN 200MM (7.87 inch)  
 OF BREAKER CONNECTIONS - BUSBAR OR CABLES  
 ALL CONNECTIONS TO BE TIGHTENED TO 50NM (442.5 Lb-inch) TORQUE



Part must conform to SI 900000 Sect. 4, Toxicity Procedure

FOR ADDITIONAL INFO REFER TO:	SIGNATURES		DATE
APPLIED PRACTICES	MODEL	REKHA	04-11-08
DIMENSIONS ARE IN MILLIMETERS UNLESS OTHERWISE SPECIFIED IN DRAWING	DETAIL	REKHA	04-11-08
TOLERANCE ON:	CHECKED	.	.
1 PL DECIMALS ± 0.3	ENGRG	.	.
2 PL DECIMALS ± 0.13	MFG	.	.
ANGLES ± 0.5	QUALITY	.	.
FRACTIONS ±	ISSUED	.	.
FINISH	DRAWING FILE:	10101396PVI	
CRITICAL TO QUALITY CHARACTERISTIC	SOLID MODEL:	10101396PVI	

	GE Consumer & Industrial	GENERAL ELECTRIC COMPANY
TITLE ANSI 3 POLE, FIXED/STATIONARY 2500A-3200A, TYPE H, M EntelliGuard G LVPCB		
SIZE A3	DRAWING 10101396	REV 1
SCALE: 0.125	REF. No: .	SHEET 1 of 1

METRIC