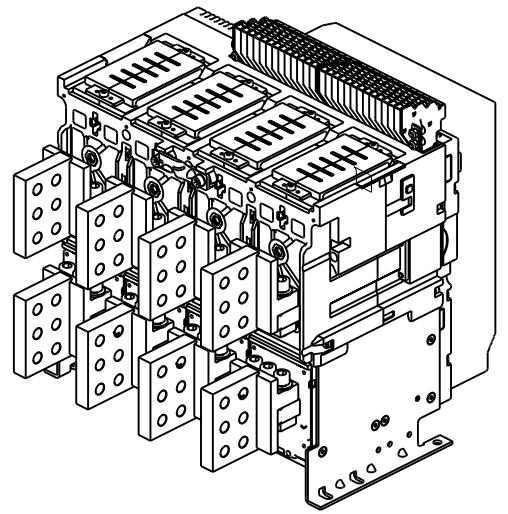
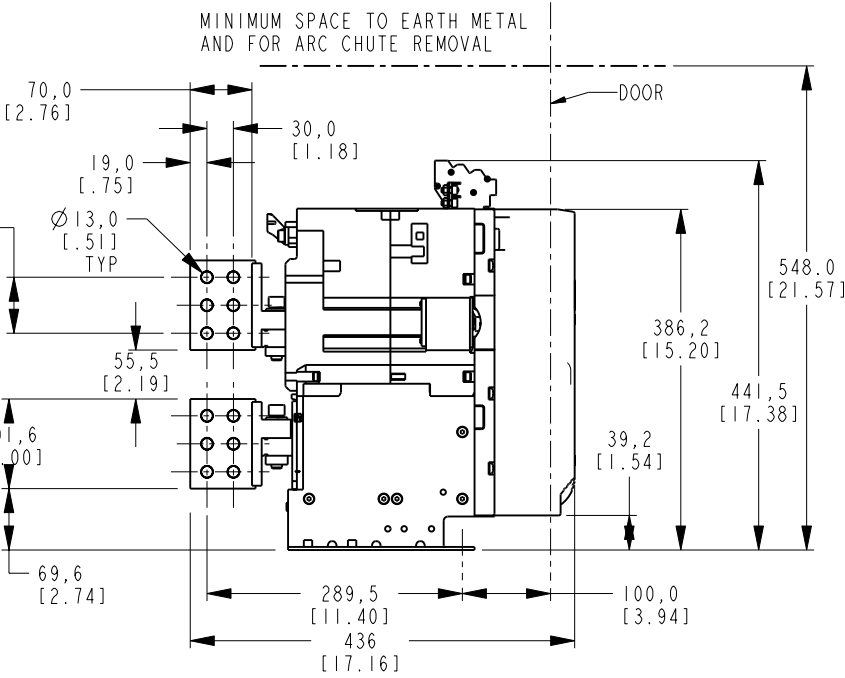
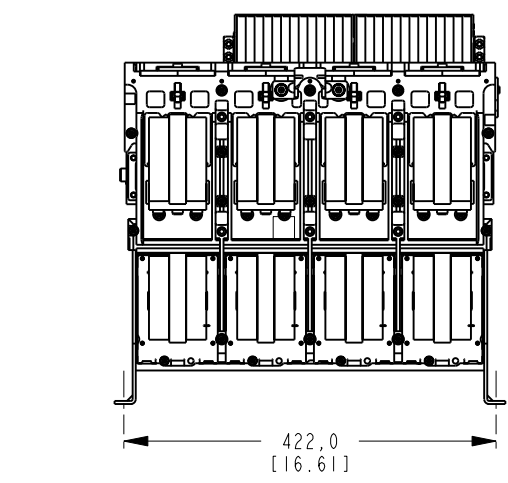
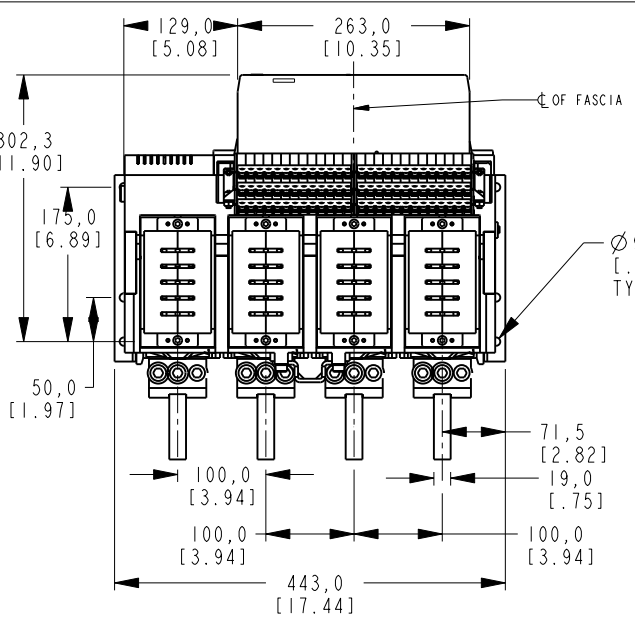


SHEET
REV
10101460
A3

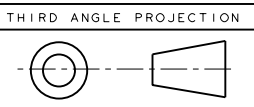
GE PROPRIETARY AND CONFIDENTIAL INFORMATION
 This document is the property of General Electric Company ("GE") and contains proprietary information of GE. This document is loaned on the express condition that neither it nor the information contained therein shall be disclosed to others without the express written consent of GE Industrial Systems, and that the information shall be used by the recipient only as approved expressly by GE Industrial Systems. This document shall be returned to GE upon its request. This document may be subject to certain restrictions under U.S. export control laws and regulations.

REVISIONS			
REV.	DESCRIPTION	DATE	APPROVED
1	R0818652	04-25-08	



PVI

NOTE:
 COPPER WORK MUST BE SUPPORTED WITHIN 200 mm (7.87 inch)
 OF BREAKER CONNECTIONS - BUSBARS OR CABLES
 ALL CONNECTIONS TO BE TIGHTENED TO 50 Nm (442.5 Lb-inch) TORQUE



Part must conform to SI 900000
 Sect. 4, Toxicity Procedure

FOR ADDITIONAL INFO REFER TO:	SIGNATURES		DATE
APPLIED PRACTICES	MODEL	REKHA	04-11-08
DIMENSIONS ARE IN MILLIMETERS	DETAIL	REKHA	04-11-08
UNLESS OTHERWISE SPECIFIED IN DRAWING	CHECKED		
TOLERANCE ON:	ENGRG		
1 PL DECIMALS ± 0.3	MFG		
2 PL DECIMALS ± 0.13	QUALITY		
ANGLES ± 0.5	ISSUED		
FRACTIONS ±			
FINISH			
CRITICAL TO QUALITY CHARACTERISTIC	DRAWING FILE:	10101460PVI	
	SOLID MODEL:	10101460PVI	

	GE Consumer & Industrial	GENERAL ELECTRIC COMPANY
TITLE ANS1/UL489, 4 POLE FIXED/STATIONARY 400A-1600A, TYPE N, H EntelliGuard G LVPCB		
SIZE	DRAWING	REV
A3	10101460	1
SCALE: 0.175	REF. No:	SHEET 1 of 1

METRIC