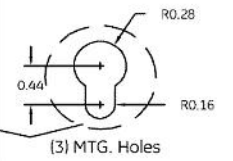
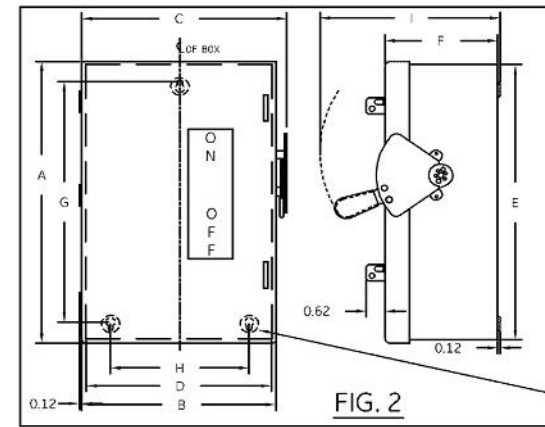
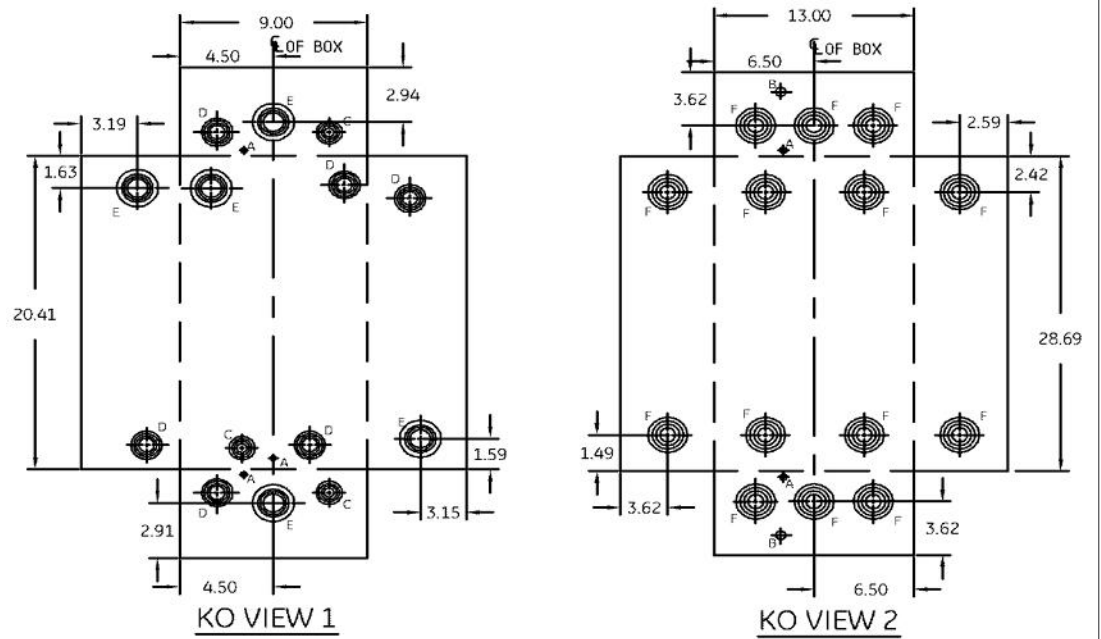
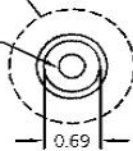


(2) 0.33 MTG. HOLES



NOTE:  
 1. ALL DIMENSIONS ARE IN INCHES.  
 2. ALL DIMENSIONS HAVE  $\pm 0.125$  TOLERANCE.

**DIMENSION TABLE**

GCAT NO.	FIG.	KO VIEW	DIMENSIONS (INCHES)								
			A	B	C	D	E	F	G	H	I
TG3223/ TGN3323/ TG4323	1	1	21.33	9.39	10.55	9.11	21.05	4.90	19.56	7.51	9.90
TG3224/ TGN3324/ TG4324	2	2	29.11	13.42	14.58	13.11	28.80	5.20	25.85	11.00	9.28

**KNOCKOUT TABLE**

SYM	SIZE	QTY	
		VIEW1	VIEW2
A	9/32 KO	3	2
B	1/2 X KO	-	2
C	1/2 X 3/4 X 1 X 1-1/4 KO	3	-
D	3/4 X 1 X 1-1/4 X 1-1/2 KO	6	-
E	1 X 1-1/4 X 1-1/2 X 2 KO	5	-
F	1 X 1-1/2 X 2 X 2-1/2 KO	-	14

THIRD ANGLE	SHEET#
	1 of 1



**Industrial Solutions**

**by ABB**

OUTLINE DRAWING-GENERAL DUTY SAFETY SWITCH  
 100&200A, NEMA - TYPE 1 ENCLOSURE

DWG NO.	DATE	REV
10103091SH108	08/19	04