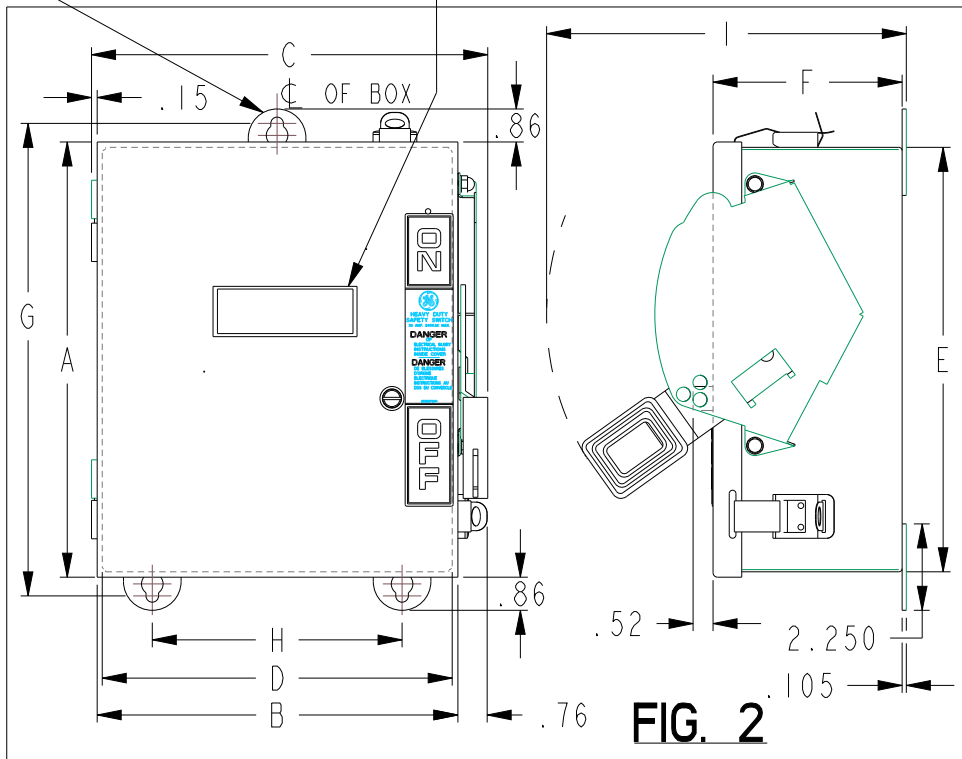
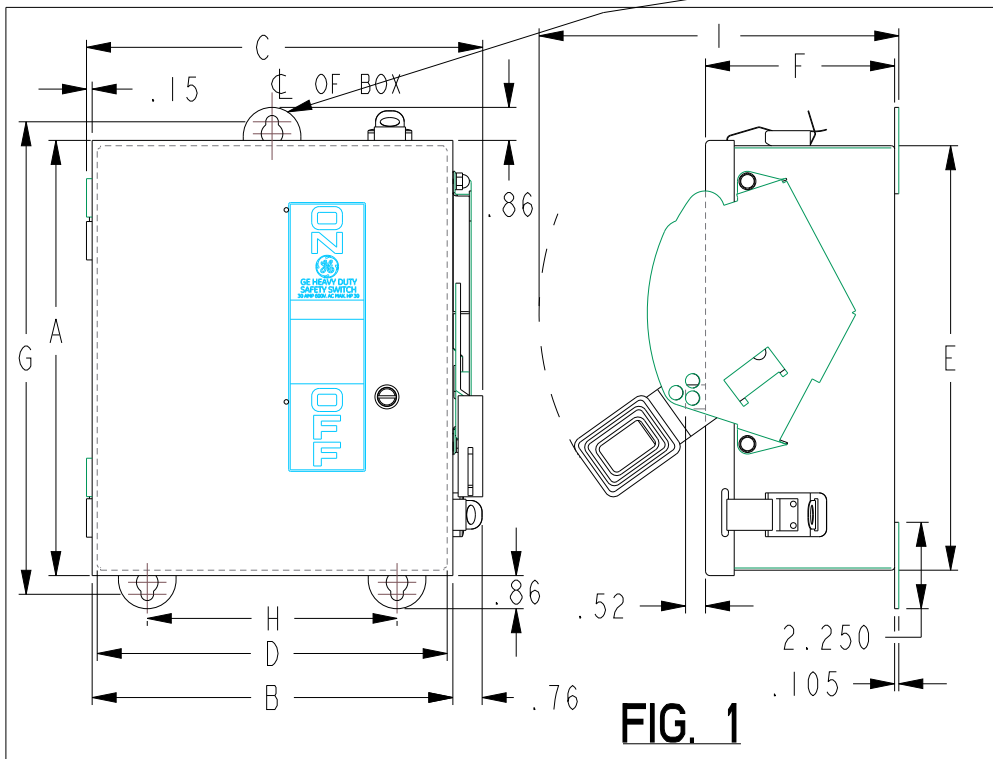


WINDOW FOR THXXXXSSW CATALOGS.



DIMENSION TABLE

GCAT NO.	FIG.	A	B	C	D	E	F	G	H	I
THN3361SS316/THN3361SS316-BA/THN3361SS-BA	1									
THN3361SS	1	11.33	9.39	10.11	9.11	11.05	4.92	12.43	6.50	9.36
THN2261SSDC	1									
THN3361SSW	2									
TH3361SS316/TH3361SS316-BA/TH3361SS-BA	1									
TH3361SS/TH2261SSDC	1	13.33	9.39	10.11	9.11	13.05	4.92	14.43	6.50	9.36
TH3361SSW	2									
TH4321SS-BA/TH3321SS-BA/TH2221SS-BA/TH3321SS-BA	1									
TH3321SS/TH4321SS/TH2221SS/TH3321SS	1	11.33	7.39	8.11	7.11	11.05	4.92	12.43	4.50	9.36
TH2221SSW/TH3321SSW	2									
TH4321SSW	2									
THN3362SS316/THN3362SS316-BA/THN3362SS-BA	1									
THN3362SS/THN3362SSCL/THN3361SSCL	1	13.33	9.39	10.11	9.11	13.05	5.17	14.43	6.50	9.62
THN2262SSDC	1									
THN3362SSW	2									
TH3362SS316/TH3362SS316-BA	1									
TH4322SSW/TH3362SSW/TH2222SSW	2									
TH3322SSW	2									
TH2222SS-BA/TH4322SS-BA/TH3362SS-BA	1	19.33	9.39	10.11	9.11	19.05	5.17	20.43	6.50	9.62
TH3322SS-BA/TH3322SS-BA	1									
TH3322SS/TH2222SS/TH4322SS/TH3362SS/TH3322SS/TH2262SSDC	1									

NOTE:
 1. ALL DIMENSIONS ARE IN INCHES.
 2. ALL DIMENSIONS HAVE ±0.125 TOLERANCE.

Industrial Solutions by ABB

OUTLINE DRAWING—HEAVY DUTY 30 & 60A
 NEMA-4/4X, WITH & WITHOUT VIEWING WINDOW

THIRD ANGLE	SHEET#	DWG NO.	DATE	REV
	1 of 1	10103091SH109	08/19	07