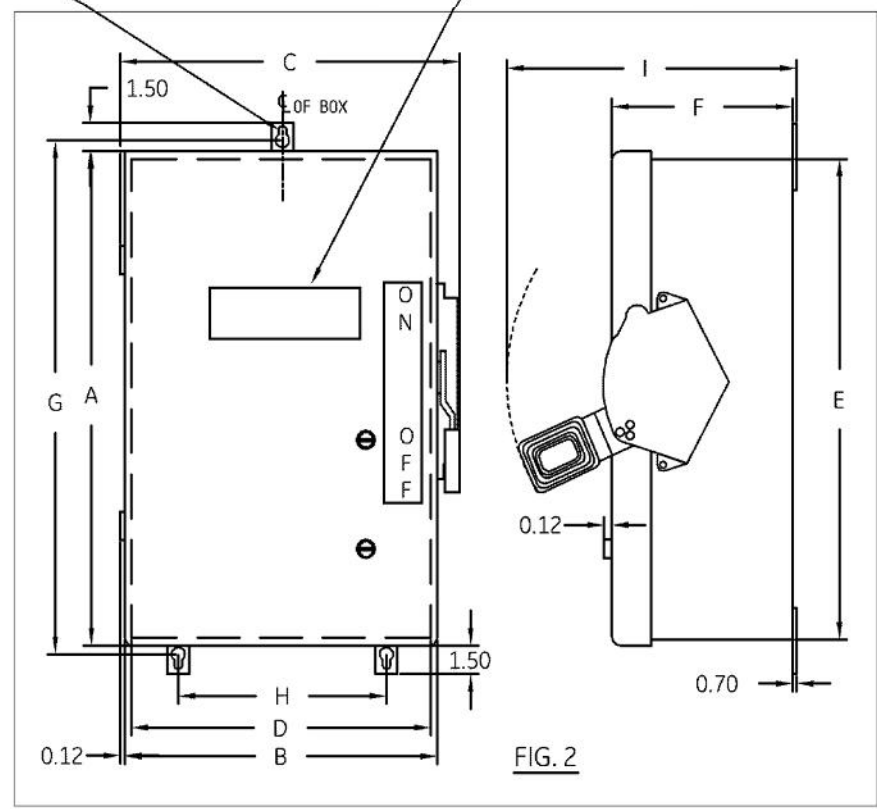
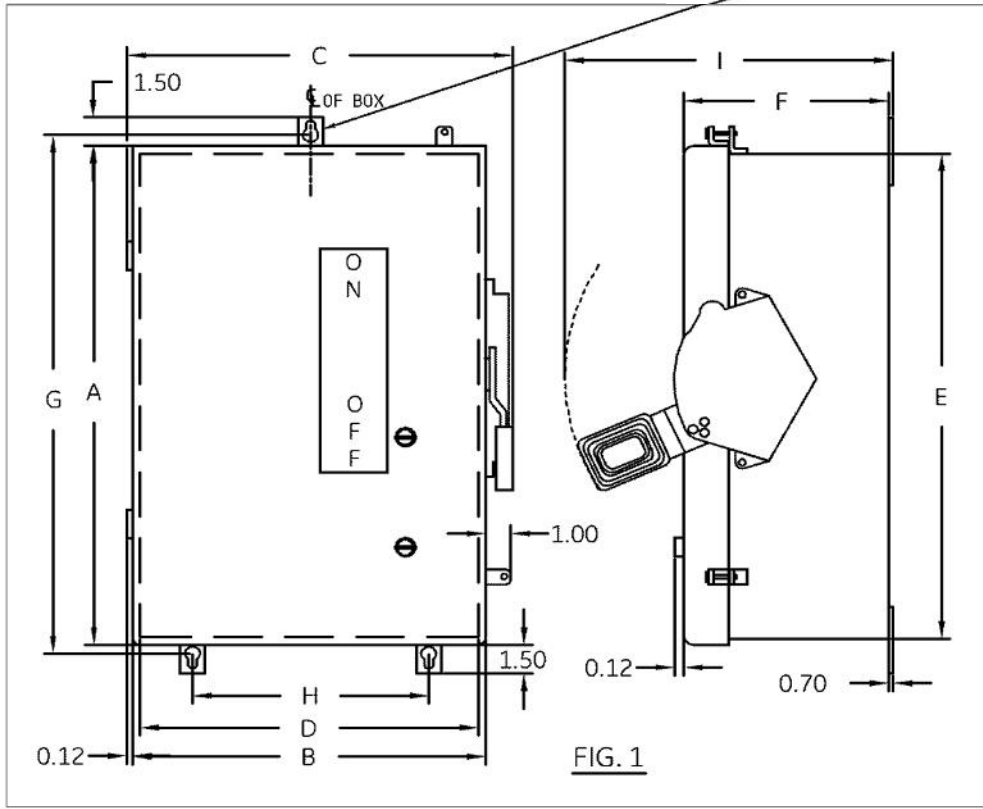


WINDOW FOR THXXXXMW CATALOGS.



DIMENSION TABLE

GCAT NO.	FIG.	A	B	C	D	E	F	G	H	I
TH3321MSS/TH2221MSS	1	11.32	7.38	8.05	7.10	11.04	4.74	11.61	4.50	9.82
TH2222MSS/TH3322MSS	1	19.32	9.38	14.05	9.10	19.04	4.99	19.61	6.50	10.07
THN3361MSS/TH3361MSS/TH3362MSS/ THN3362MSS	1	19.32	9.38	14.05	9.10	19.04	4.99	19.61	6.50	10.07
TH3321M/TH2221M	1	11.32	7.38	8.05	7.10	11.04	4.74	11.61	4.50	9.87
THN2261MDC/THN2262MDC/TH2262MDC TH3361M/THN3361M/TH3362M/THN3362M/ TH2222M/TH3322M/TH2261MDC	1	19.32	9.38	14.05	9.10	19.04	4.99	19.61	6.50	10.12
TH3322MW/TH3362MSSW/THN3361MSSW/ THN3362MW/TH3361MW	2	19.32	9.38	14.05	9.10	19.04	4.99	19.61	6.50	10.12

NOTE:
 1. ALL DIMENSIONS ARE IN INCHES.
 2. ALL DIMENSIONS HAVE ±0.125 TOLERANCE.

	Industrial Solutions			
			OUTLINE DRAWING-MILL DUTY SAFETY SWITCH 30 & 60A, NEMA - TYPE 12 ENCLOSURE	
THIRD ANGLE 	SHEET# 1 of 1	DWG NO. 10103091SH123	DATE 10/19	REV 06