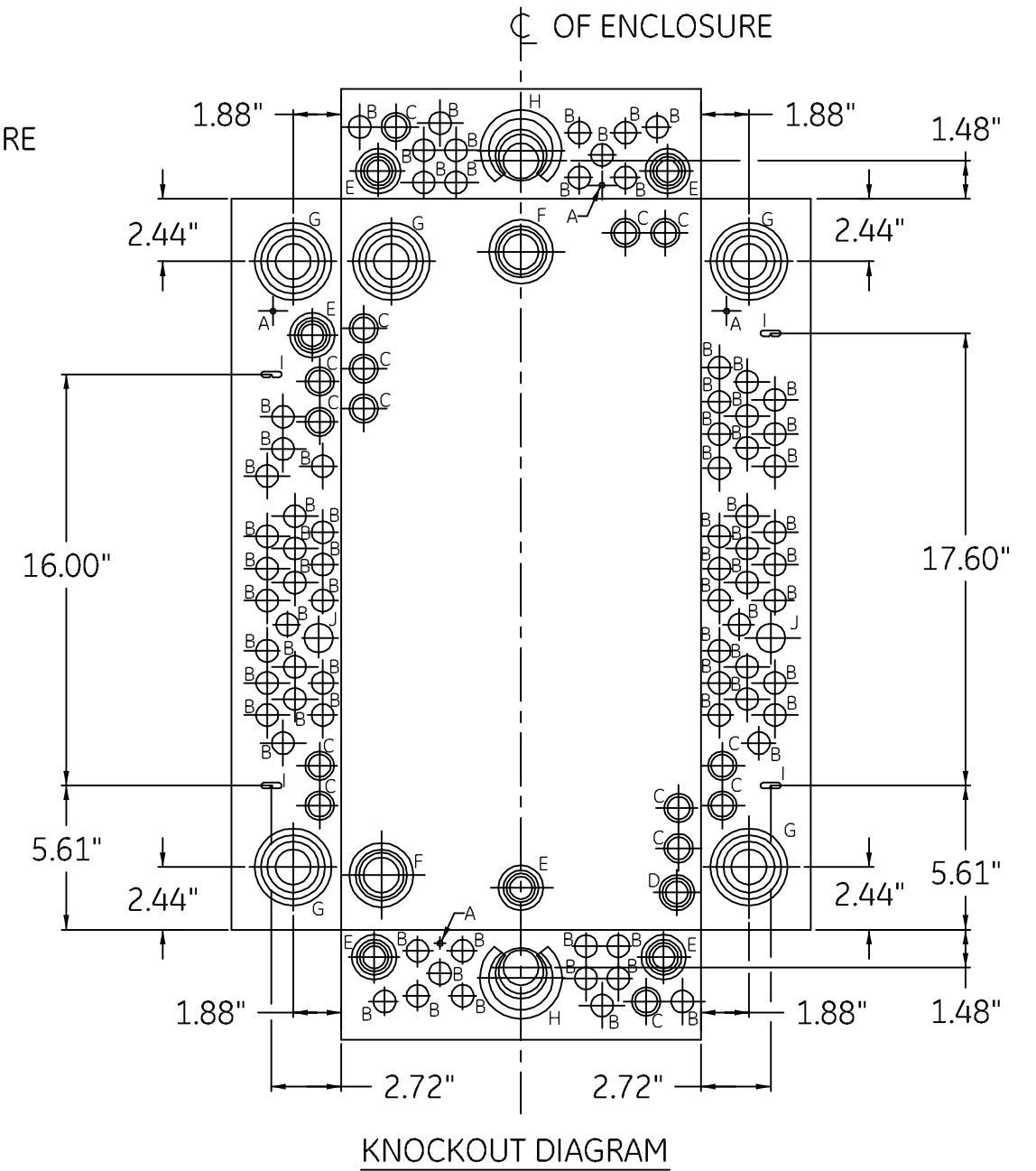
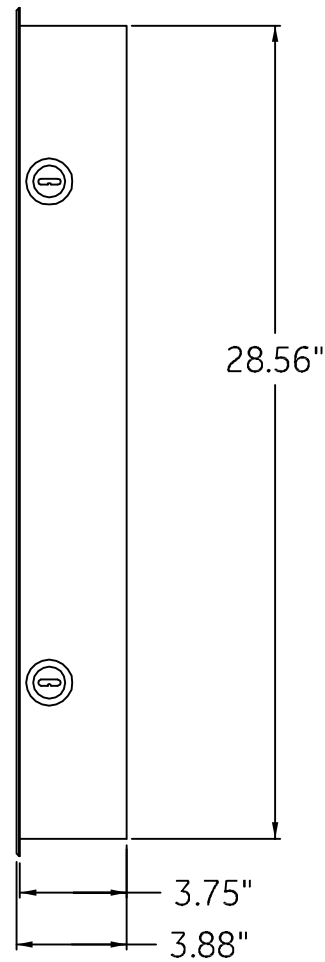
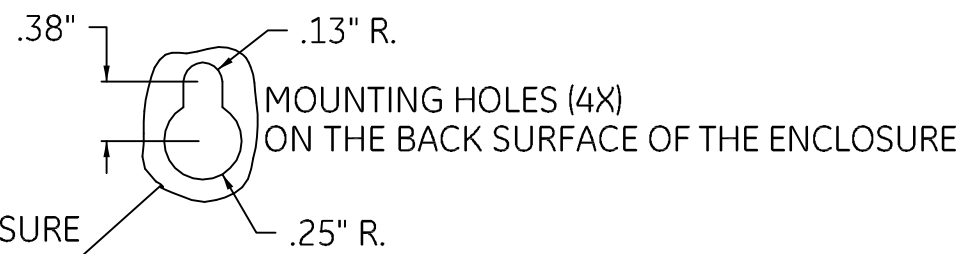


CAT. NO.	MODEL
TLC2020CCA	1



KNOCKOUT DIAGRAM

NOTE: ALL KO LOCATING DIMENSIONS ARE INSIDE OF BOX.

ALL DIMENSIONS HAVE +/- .125 TOLERANCE



OUTLINE DRAWING
INDOOR LOAD CENTER

DWG NO.	DATE	REV
10103091SH29	06/22/09	01

SYMBOL	SIZE	QTY.
A	9/32 KO	4
B	1/2 KO	74
C	1/2 X 3/4 KO	15
D	1/2 X 3/4 X 1 KO	1
E	1/2 X 3/4 X 1 X 1 1/4 KO	6
F	1 X 1 1/4 X 1 1/2 X 2 KO	2
G	1 X 1 1/2 X 2 X 2 1/2 KO	5
H	1 X 1 1/4 X 1 1/2 X 2 X 2 1/2 KO	2
I	.219 X .08 OBLONG KO	4
J	3/4 KO	2