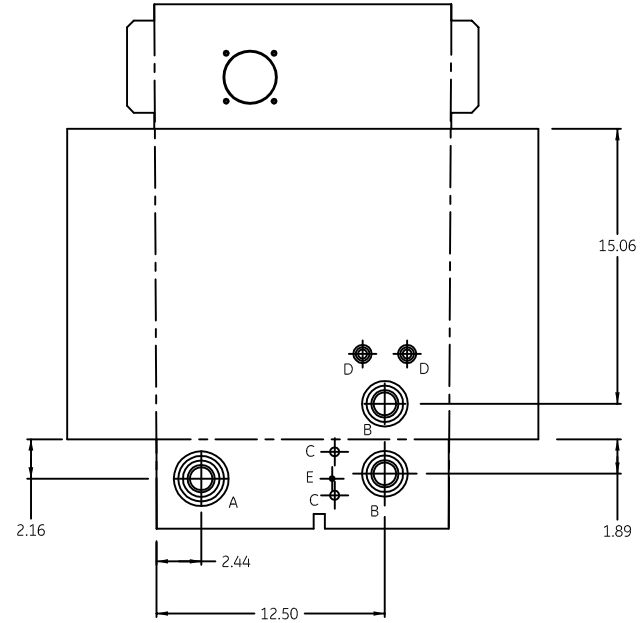
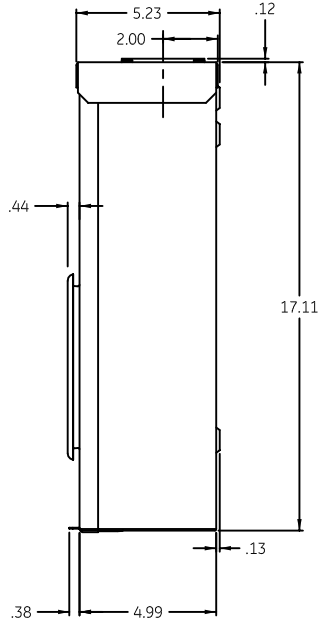
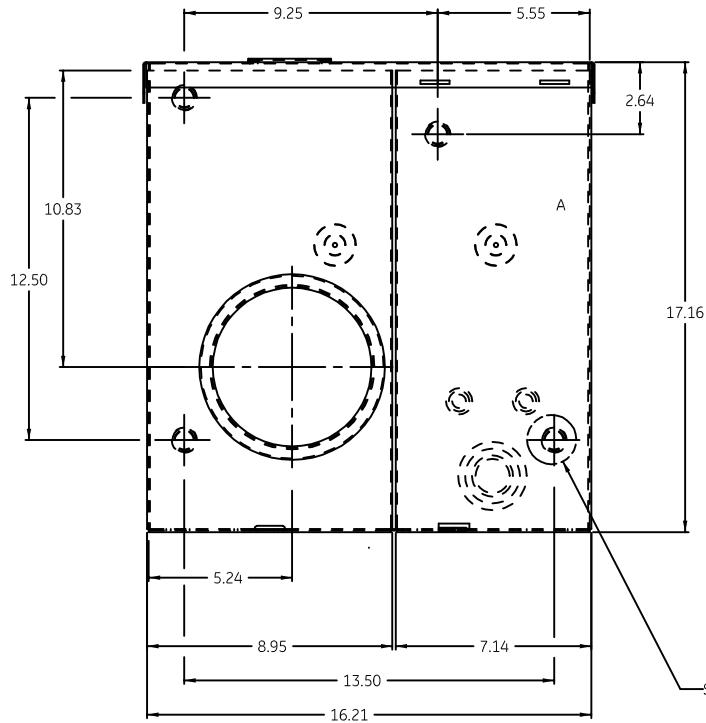


DETAIL A
SCALE 1:2



SYMBOL	SIZE	QTY
A	1 1/4 x 1 1/2 x 2 x 2 1/2 x 3 KO	1
B	1 1/4 x 1 1/2 x 2 x 2 1/2 KO	2
C	1/2 KO	2
D	1/2 x 3/4 x 1 KO	2
E	9/32 KO	1

CAT NO.	MODEL
TM15RMC	1
TM20RMC	1
TM12RMC	1
TM10RMC	1

NOTE : ALL DIMENSIONS HAVE ± 1/8 TOLERANCE



imagination at work

OUTLINE DRAWING
METER MAIN

DWG NO.

10103091SH30

DATE

06/17/2009

REV

01