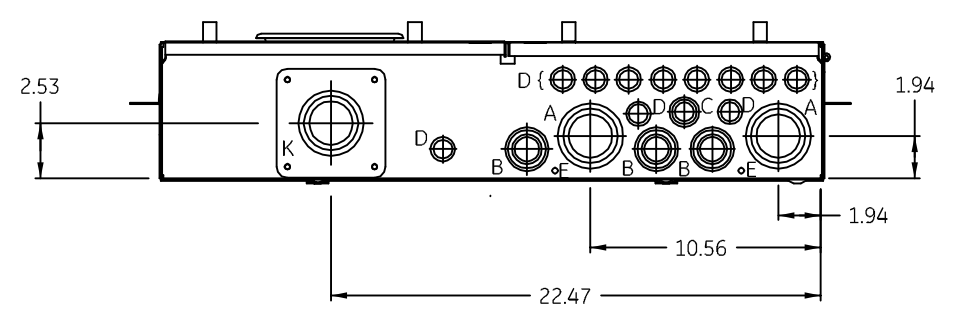


SEE DETAIL A

SEE DETAIL B



SYMBOL	SIZE	QTY
A	1 1/2 x 2 x 2 1/2 KO	2
B	3/4 x 1 x 1 1/4 x 1 1/2 KO	3
C	1/2 x 3/4 x 1 KO	1
D	1/2 x 3/4 KO	11
E	9/32 KO	2
F	1 x 1 1/4 x 1 1/2 x 2 KO	2
G	1/2 x 3/4 KO	6
H	1/2 KO	5
I	1/2 x 3/4 x 1 1/4 x 1 1/2 x 2 x 2 1/2 KO	2
J	1/2 x 3/4 x 1 1/4 x 1 1/2 x 2 KO	2
K	2 x 2 1/2 x 3 KO	1

CAT NO.	MODEL
TSDA2440UC42	2
TSDA2432UC42	2

Note: All Dimensions have ±0.125 Tolerance

imagination at work

OUTLINE DRAWING
400 A METER SOCKET LOAD CENTER

DWG NO.	DATE	REV
10103091SH31	07/02/2009	01