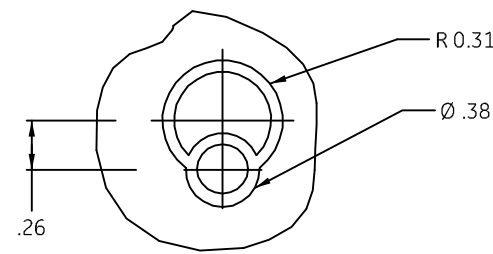
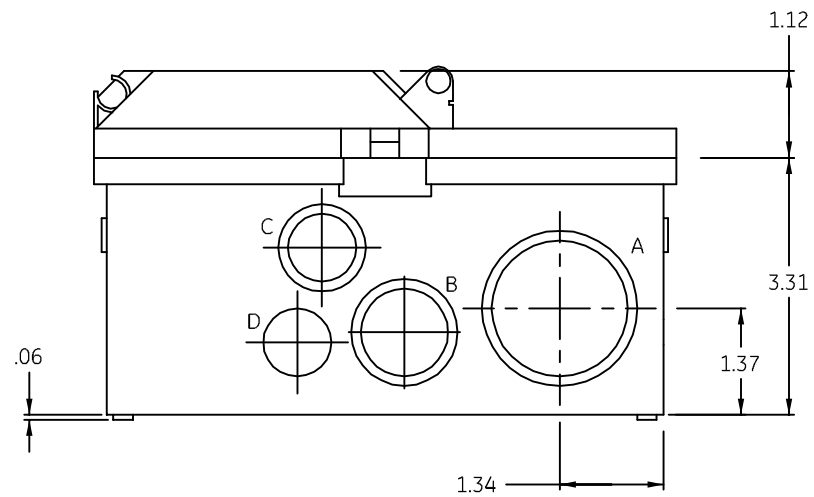
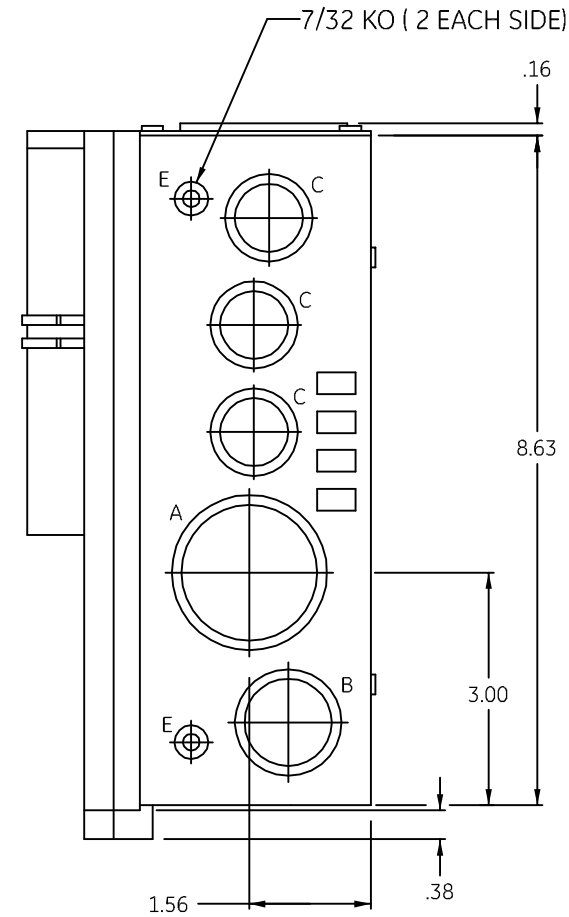
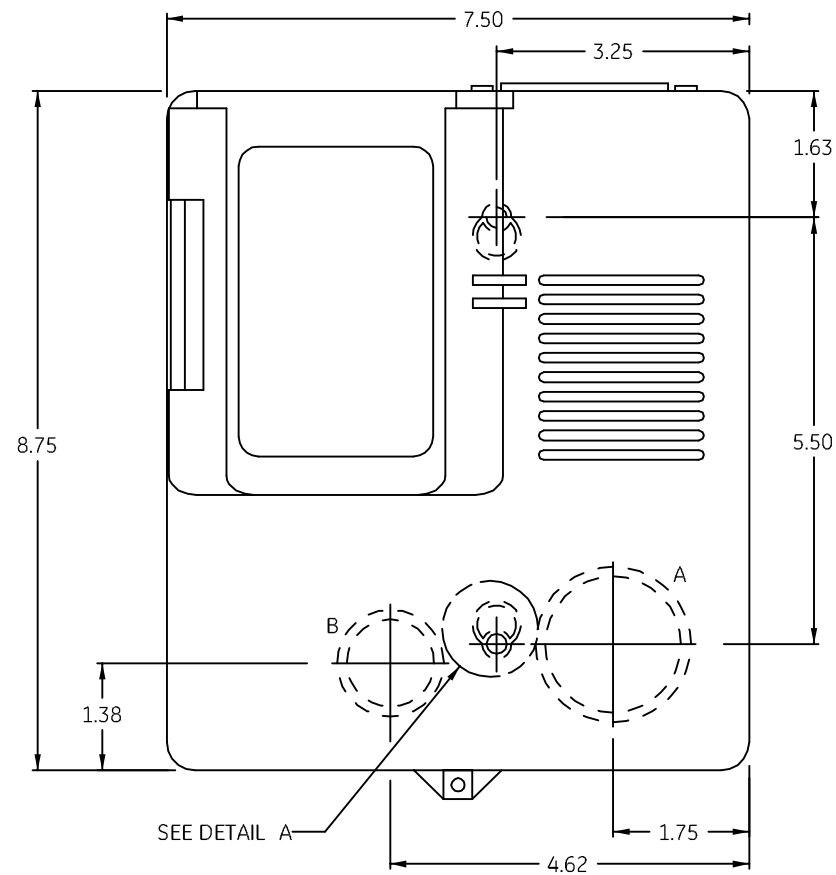


MOUNTING HOLES (2)  
ON THE BACK SURFACE OF THE ENCLOSURE



DETAIL A



CAT NO.	MODEL
TPL412R	1
TPL412RT	1
TPLC410R	1

Note : All Dimensions have ±0.125 Tolerance

LETTER	DESCRIPTION	QTY
A	1 1/4 x 1 1/2 KO	4
B	3/4 x 1 KO	3
C	1/2 x 3/4 KO	4
D	1/2 KO	1
E	7/32 KO	4



imagination at work

OUTLINE DRAWING  
PLASTIC LC

DWG NO.	DATE	REV
10103091SH34	08/24/2009	01