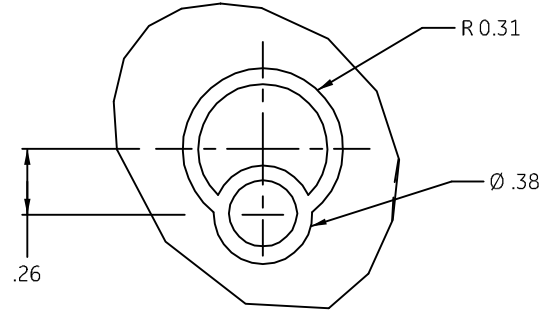
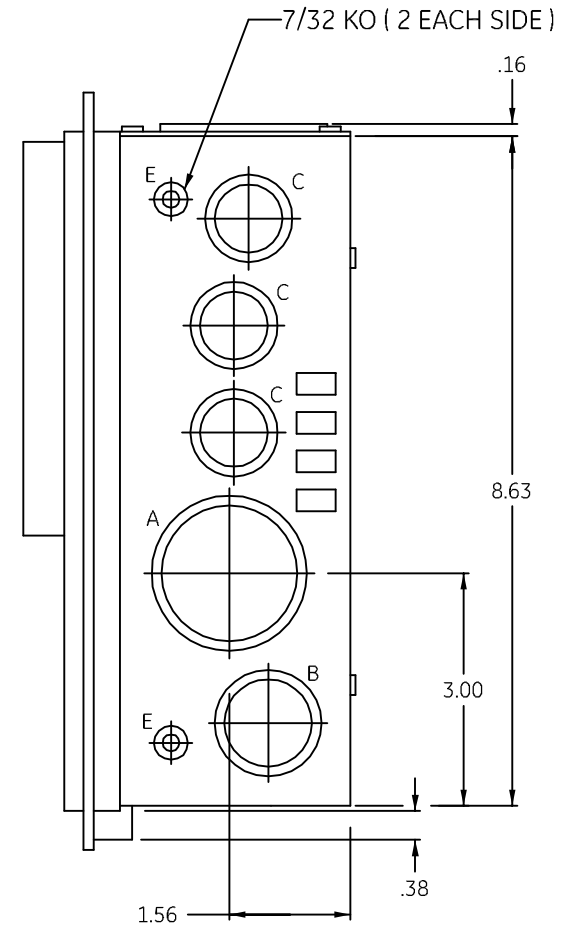
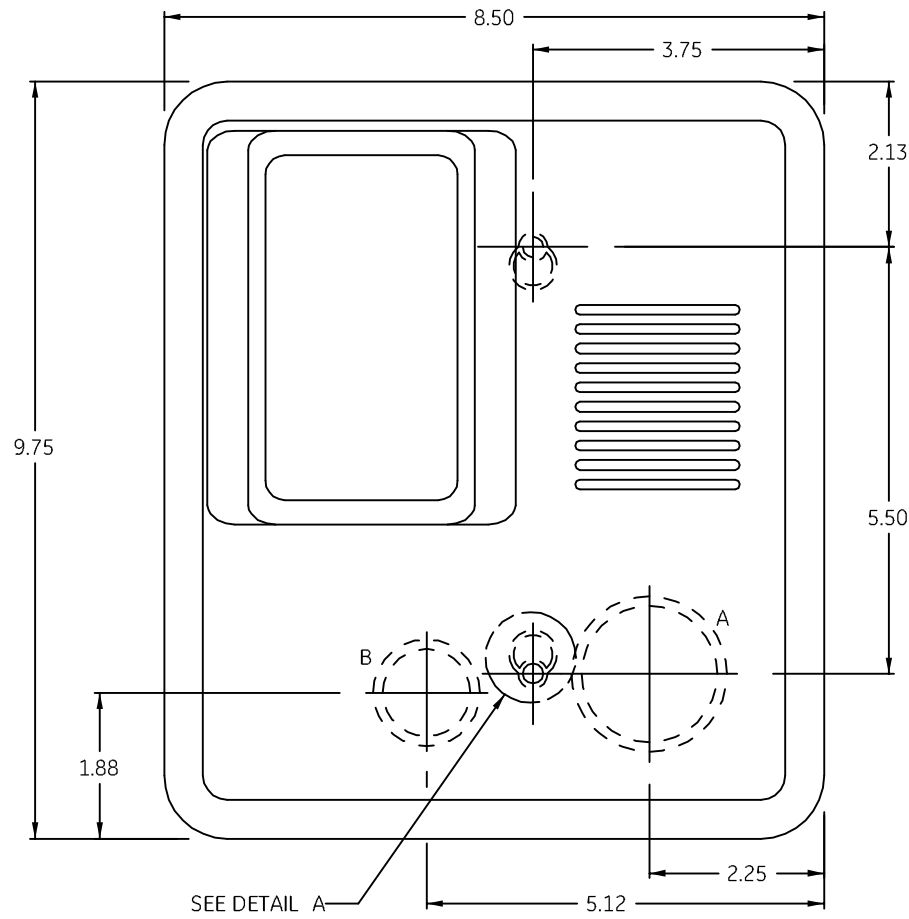


MOUNTING HOLES (2)
ON THE BACK SURFACE OF THE ENCLOSURE

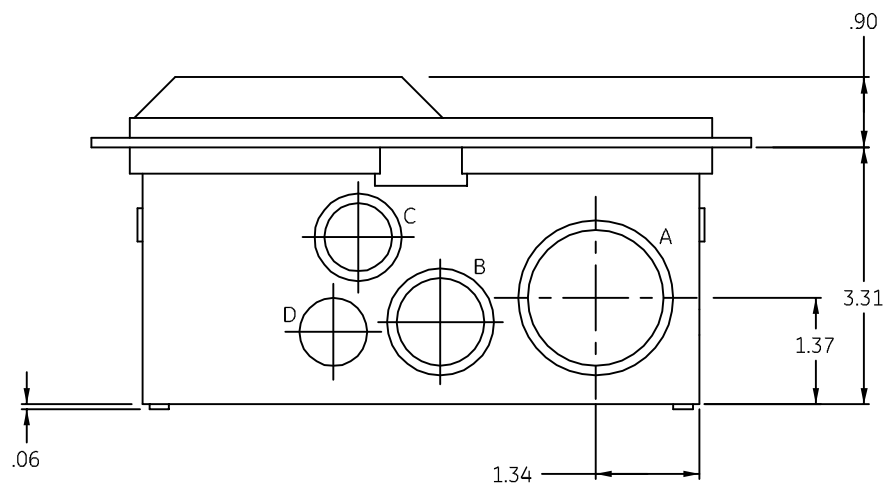


DETAIL A



CAT NO.	MODEL
TPL412C	1
TPL412CT	1
TPLC410C	1

Note : All Dimensions have ± 0.125 Tolerance



LETTER	DESCRIPTION	QTY
A	1 1/4 x 1 1/2 KO	4
B	3/4 x 1 KO	3
C	1/2 x 3/4 KO	4
D	1/2 KO	1
E	7/32 KO	4

 imagination at work

OUTLINE DRAWING
PLASTIC LC

DWG NO.	DATE	REV
10103091SH35	08/24/2009	01