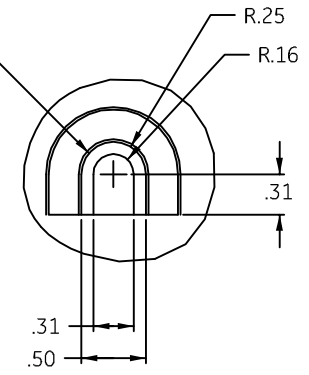
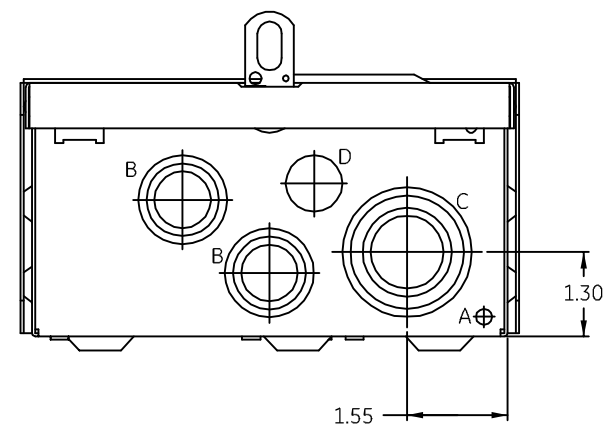
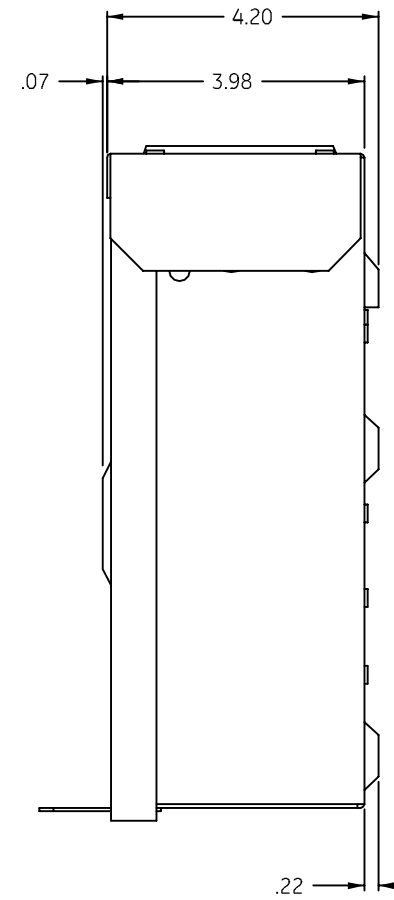
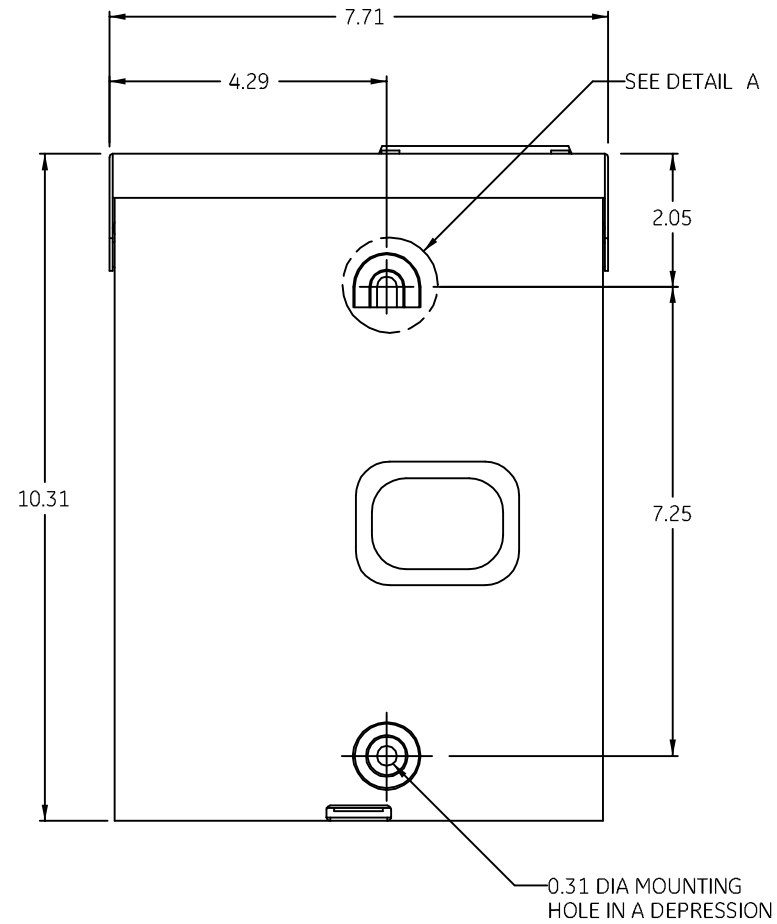
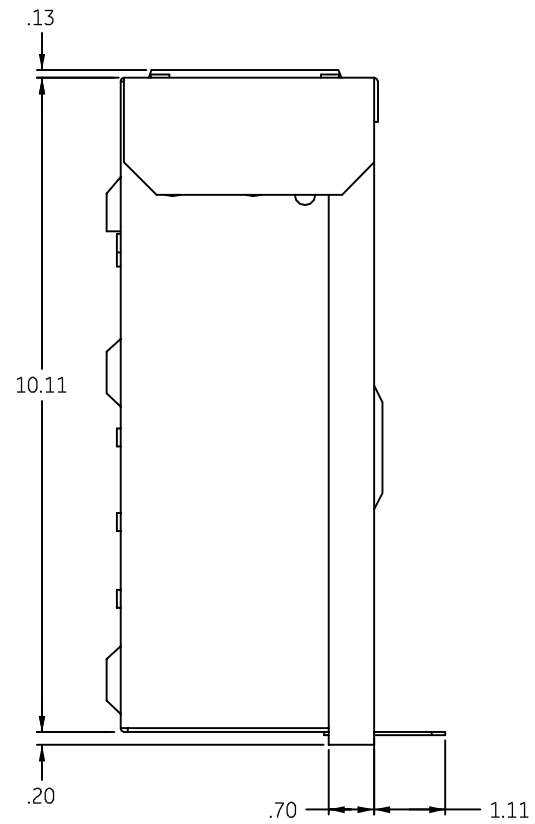


0.16 RADII HOODED SLOTTED
MTG HOLE IN A DEPRESSION



DETAIL A



SYMBOL	SIZE	QTY
A	1/4 KO	1
B	1/2 x 3/4 x 1 KO	2
C	3/4 x 1 x 1 1/4 x 1 1/2 KO	1
D	1/2 KO	1

Note : All Dimensions have ± 0.125 Tolerance

CAT NO.	MODEL
TL240RCU	1
TL270RCU	1
TLC240RCU	1
TLC270RCU	1

 imagination at work

OUTLINE DRAWING
LC 2 CKT 3R

DWG NO.	DATE	REV
10103091SH48	08/05/2009	01