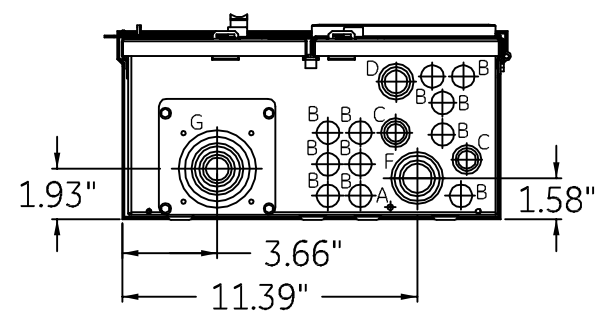


ALL DIMENSIONS HAVE +/- .125 TOLERANCE



CAT.NO	MODEL
TSM2420SF42	1

SYMBOL	SIZE	QTY.
A	9/32 KO	1
B	1/2 KO	11
C	1/2 X 3/4 KO	2
D	1/2 X 3/4 X 1 KO	1
E	1 X 1 1/2 X 2 X 2 1/2 KO	1
F	3/4 X 1 X 1 1/4 X 1 1/2 KO	1
G	1/2 X 3/4 X 1 X 1 1/4 X 1 1/2 X 2 X 2 1/2 KO	1

 imagination at work

OUTLINE DRAWING
METER SOCKET LOAD CENTER

DWG NO.	DATE	REV
10103091SH68	08/14/09	01