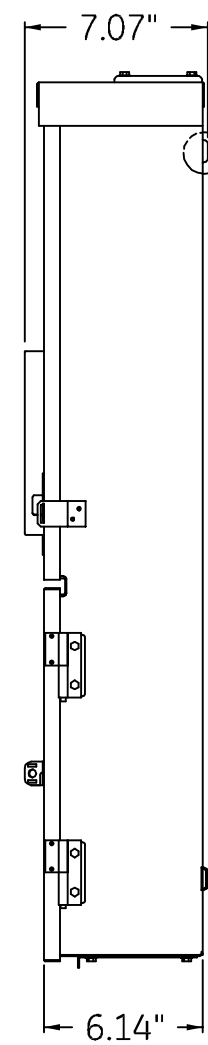
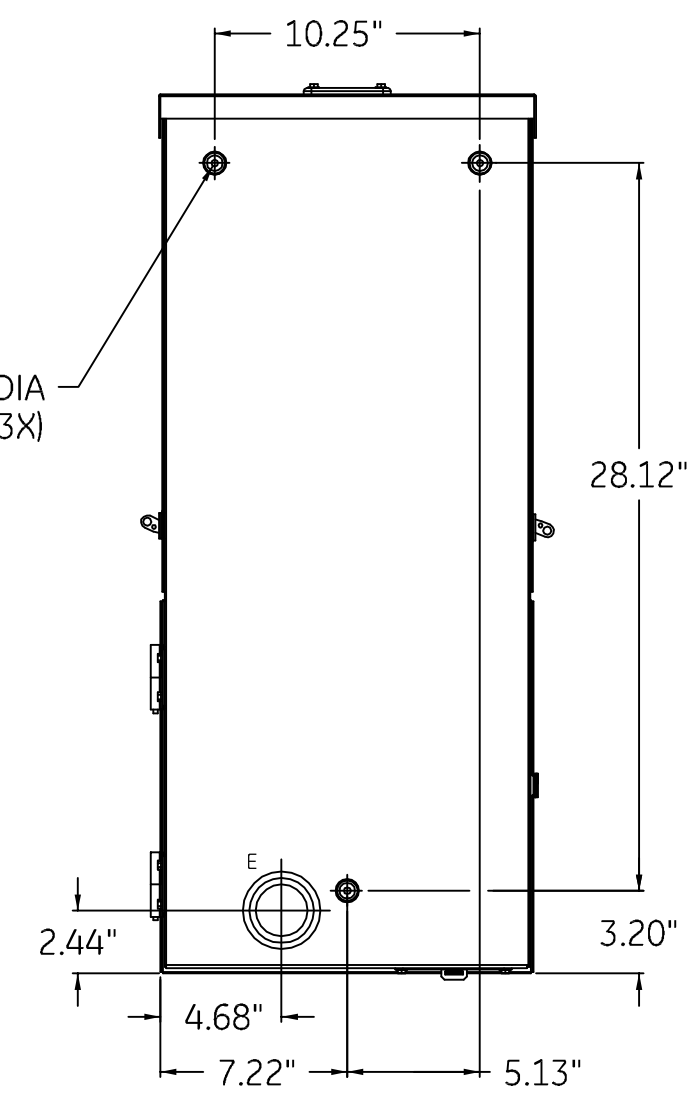


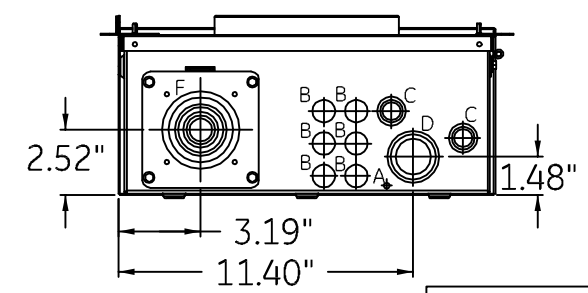
DETAIL A



SEE DETAIL A



Ø .27" DIA  
MOUNTING HOLE (3X)



CAT.NO	MODEL
TSLR412CSCU	3
TSLR420CSCU	3

SYMBOL	SIZE	QTY.
A	9/32 KO	1
B	1/2 KO	6
C	3/8 X 1/2 X 3/4 KO	2
D	1 X 1 1/4 X 1 1/2 KO	1
E	1 1/2 X 2 X 2 1/2 KO	1
F	1/2 X 3/4 X 1 X 1 1/4 X 1 1/2 KO	1

ALL DIMENSIONS HAVE +/- .125 TOLERANCE

<b>imagination at work</b>		
OUTLINE DRAWING METER SOCKET LOAD CENTER		
DWG NO.	DATE	REV
10103091SH70	08/14/09	01