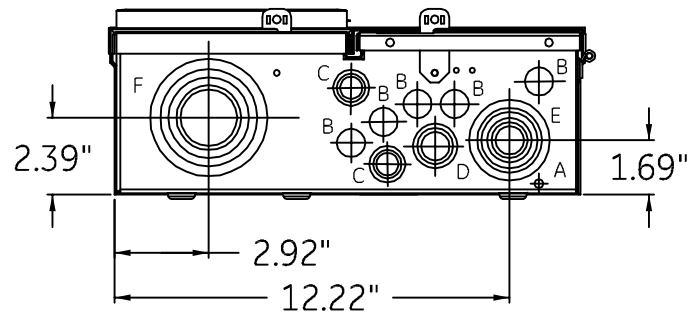
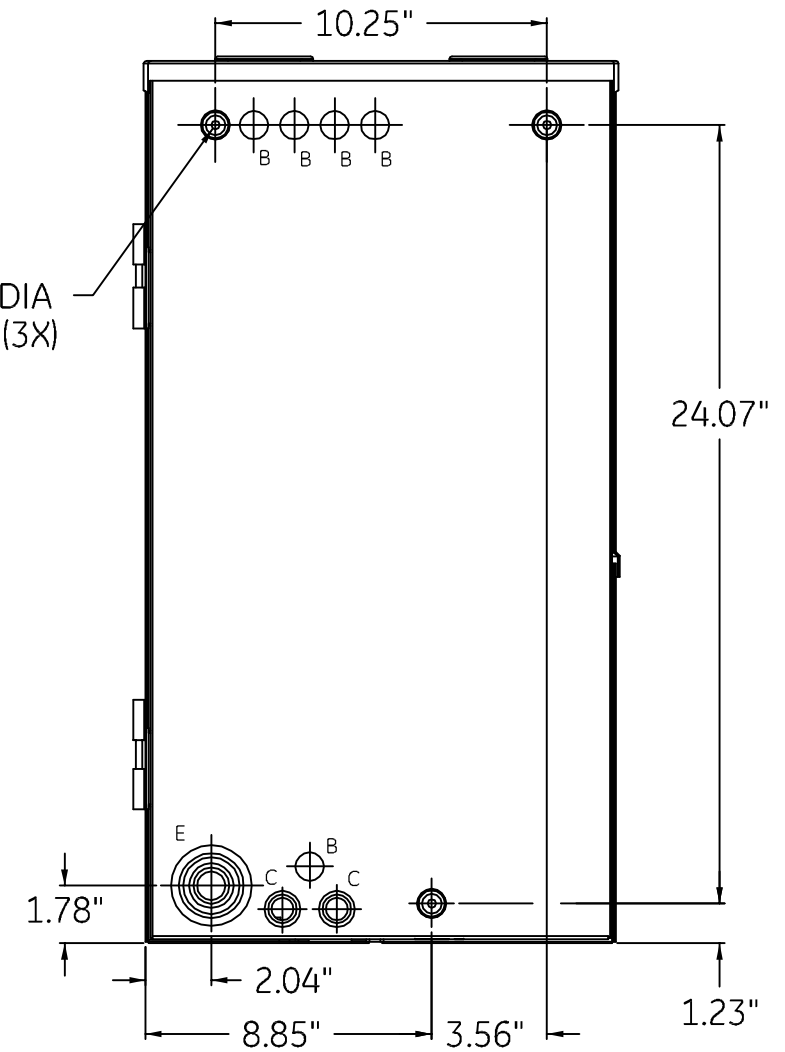


SEE DETAIL A
 Ø .27" DIA
 MOUNTING HOLE (3X)



CAT.NO	MODEL
TSM1610CSCU	2
TSM1212CSCU	2
TSM1612CSCU	2

SYMBOL	SIZE	QTY.
A	9/32 KO	1
B	1/2 KO	10
C	3/8 X 1/2 X 3/4 KO	4
D	1/2 X 3/4 X 1 KO	1
E	1/2 X 3/4 X 1 X 1 1/4 X 1 1/2 X 2 KO	2
F	1 1/4 X 1 1/2 X 2 X 2 1/2 X 3 KO	1

All DIMENSIONS HAVE +/- .125 TOLERANCE

 imagination at work

OUTLINE DRAWING
 METER SOCKET LOAD CENTER

DWG NO.	DATE	REV
10103091SH71	08/14/09	01