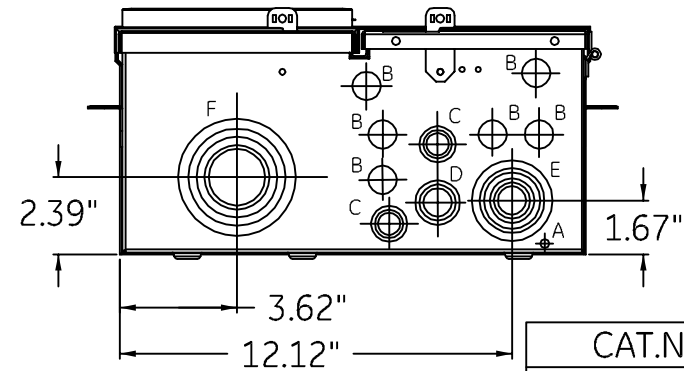


DETAIL A  
Ø.25 X .56  
OBROUND HOLE (6X)

DETAIL B


DETAIL C  
SIDE MOUNTING HOLE (4X)

ALL DIMENSIONS HAVE +/- .125 TOLERANCE



CAT.NO	MODEL
TSM1610CFCU	3
TSM1212CFCU	3
TSM1612CFCU	3

SYMBOL	SIZE	QTY.
A	9/32 KO	1
B	1/2 KO	17
C	3/8 X 1/2 X 3/4 KO	10
D	1/2 X 3/4 X 1 KO	2
E	1/2 X 3/4 X 1 X 1 1/4 X 1 1/2 X 2 KO	4
F	1 1/4 X 1 1/2 X 2 X 2 1/2 X 3 KO	1

 imagination at work

OUTLINE DRAWING  
METER SOCKET LOAD CENTER

DWG NO.	DATE	REV
10103091SH72	08/14/09	01