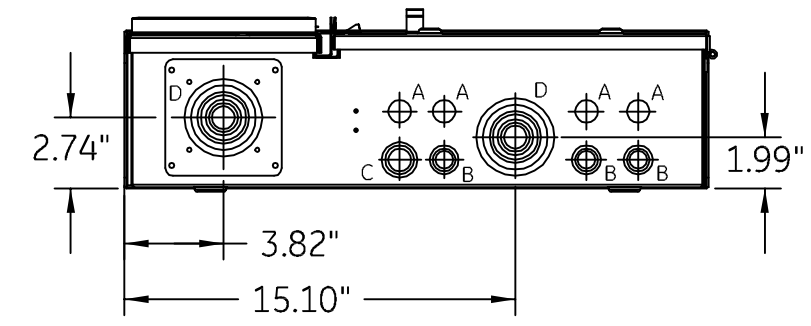
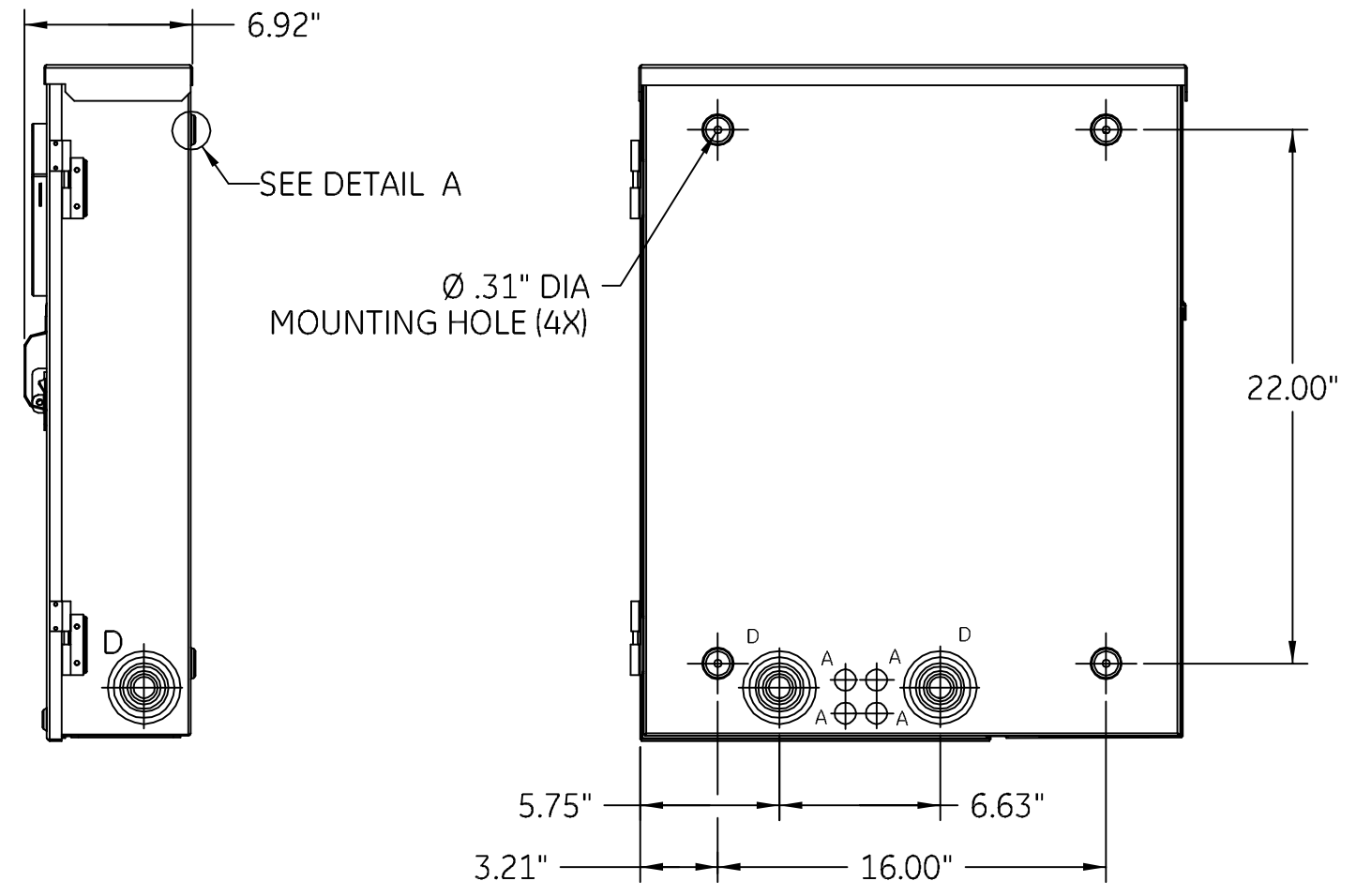
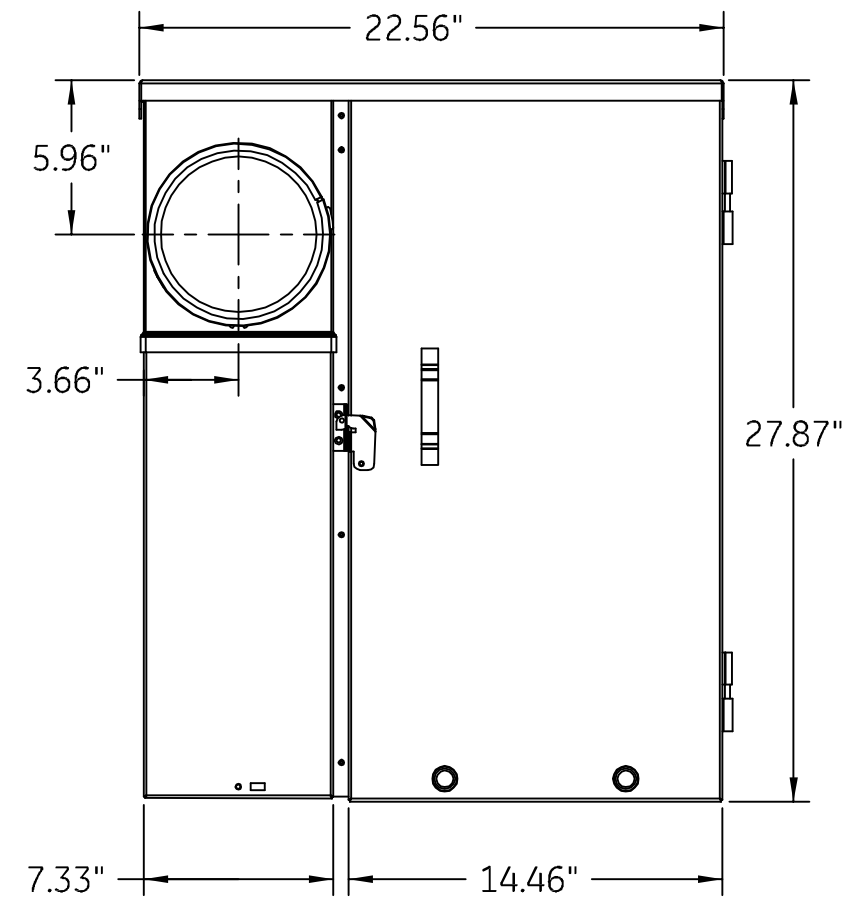



DETAIL A



CAT.NO	MODEL
TSM3220UWCU	7

SYMBOL	SIZE	QTY.
A	1/2 KO	8
B	3/8 X 1/2 X 3/4 KO	3
C	1/2 X 3/4 X 1 KO	1
D	1/2 X 3/4 X 1 X 1 1/4 X 1 1/2 X 2 X 2 1/2 KO	5

ALL DIMENSIONS HAVE +/- .125 TOLERANCE

 imagination at work		
OUTLINE DRAWING METER SOCKET LOAD CENTER		
DWG NO.	DATE	REV
10103091SH76	08/14/09	01