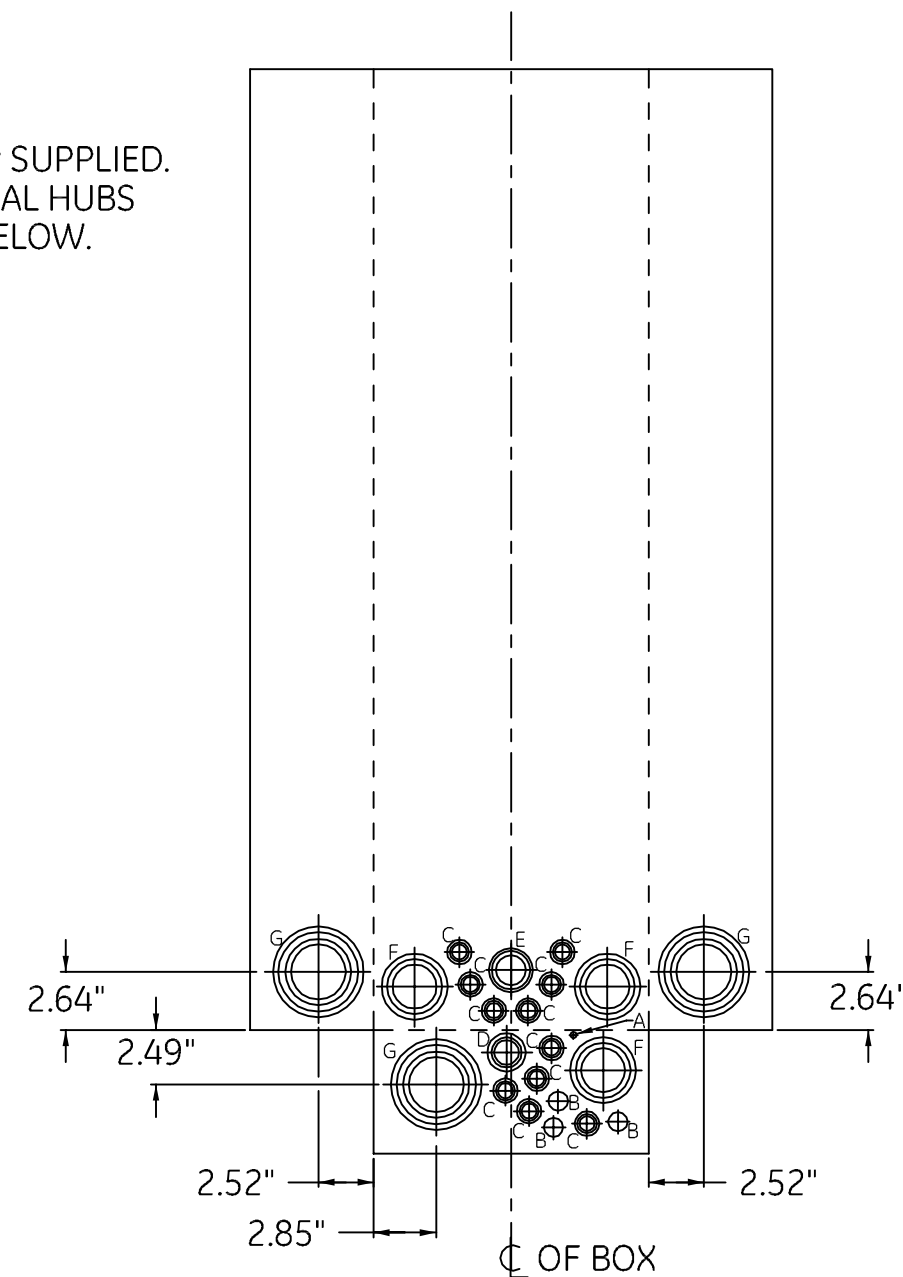
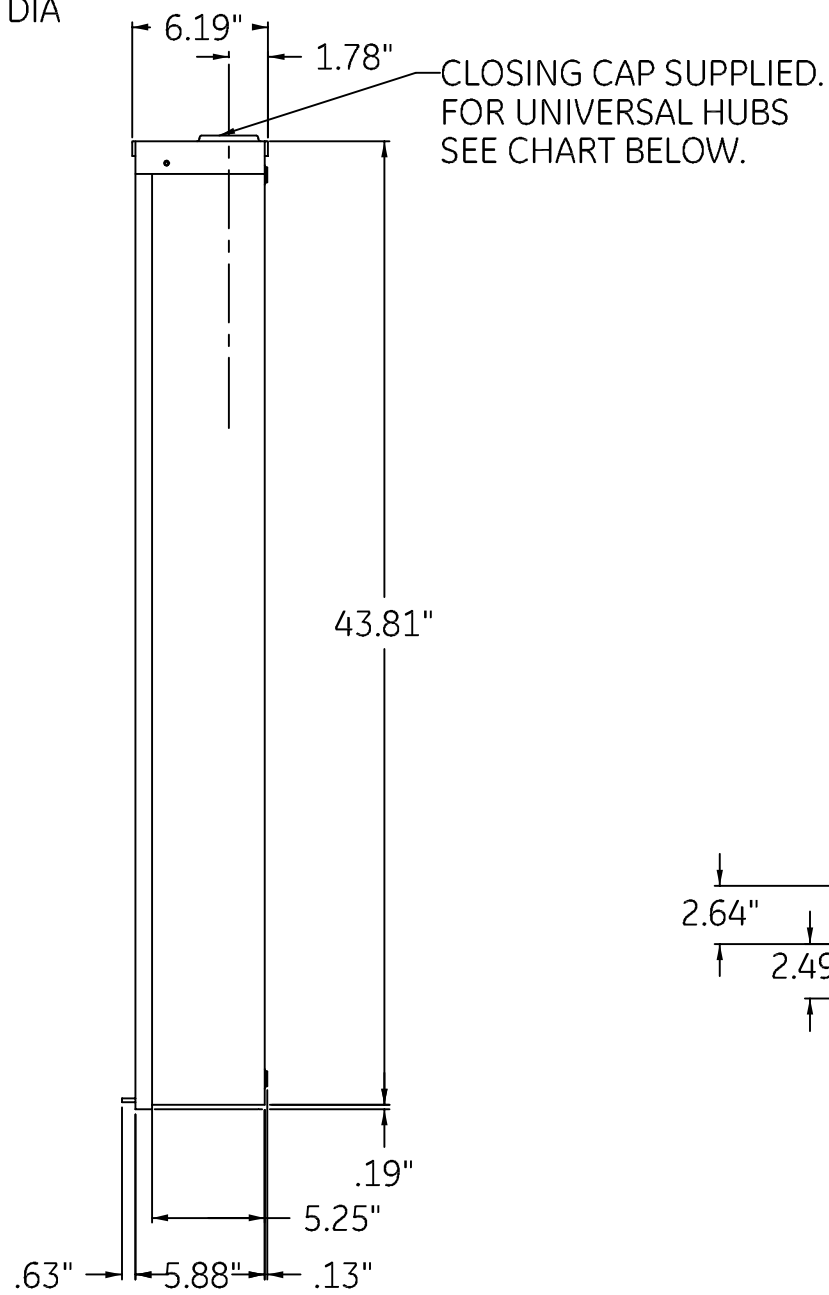


SEE DETAIL A



NOTE: ALL KO LOCATING
DIMENSIONS ARE INSIDE
OF BOX.

ALL DIMENSIONS HAVING +/- .125 TOLERANCE

UNIVERSAL HUB	
CONDUIT SIZE	CATALOG NO.
3/4	TC75
1	TC100
1 1/4	TC125
1 1/2	TC150
2	TC200
2 1/2	TC250
CLOSING CAP	TCCP

CAT NO.	MODEL
TLC4020RCA	1

SYMBOL	SIZE	QTY.
A	9/32 KO	1
B	1/2 KO	3
C	3/8 X 1/2 X 3/4 KO	11
D	3/4 X 1 X 1 1/4 KO	1
E	1 X 1 1/4 X 1 1/2 KO	1
F	1 1/2 X 2 X 2 1/2 KO	3
G	2 X 2 1/2 X 3 X 3 1/2 KO	3

imagination at work

OUTLINE DRAWING
OUTDOOR LOAD CENTER

DWG NO.	DATE	REV
10103091SH7	05/27/09	01