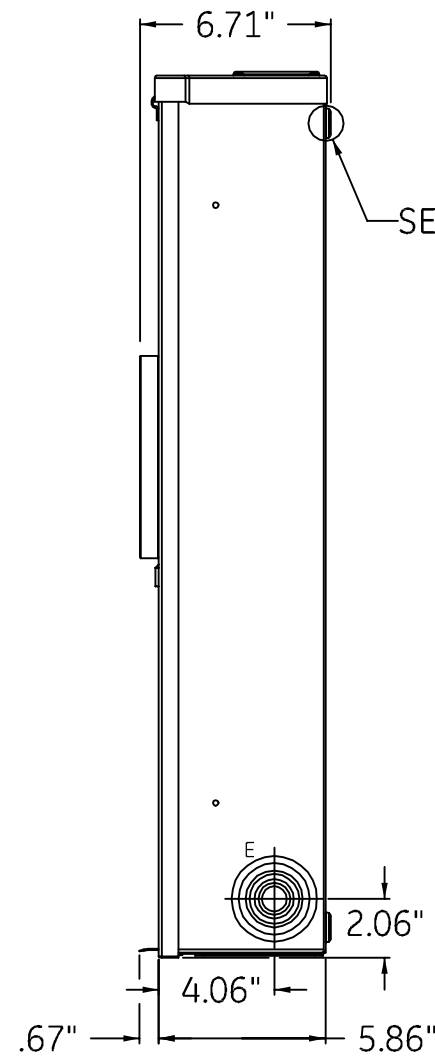
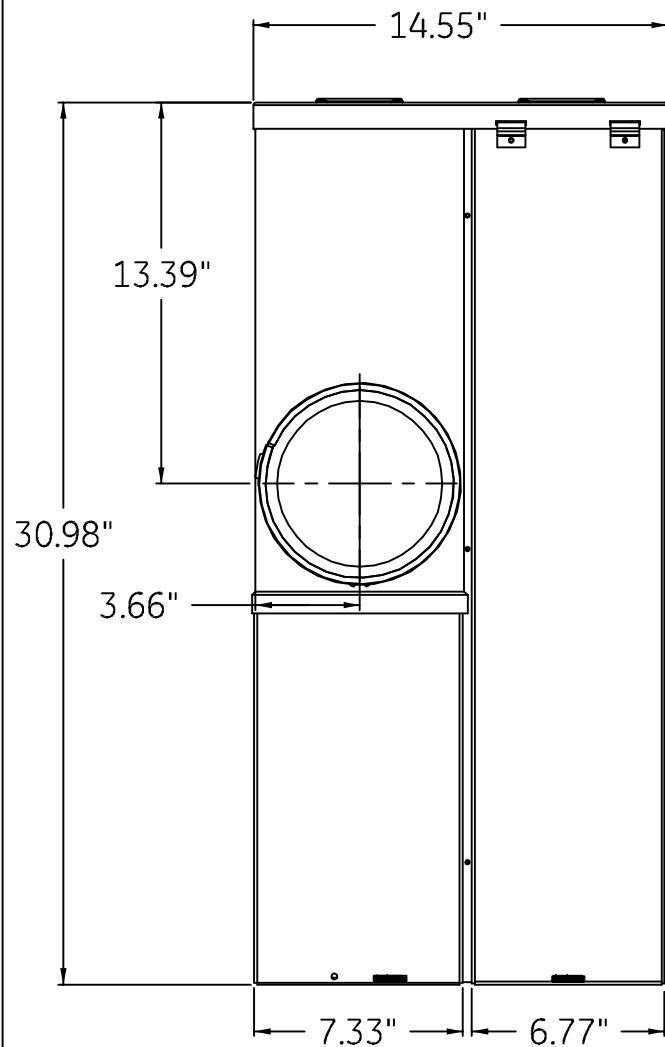
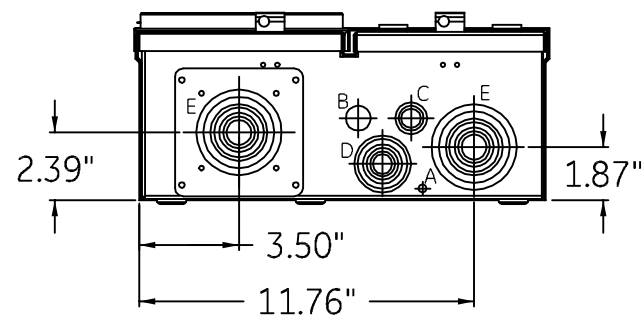
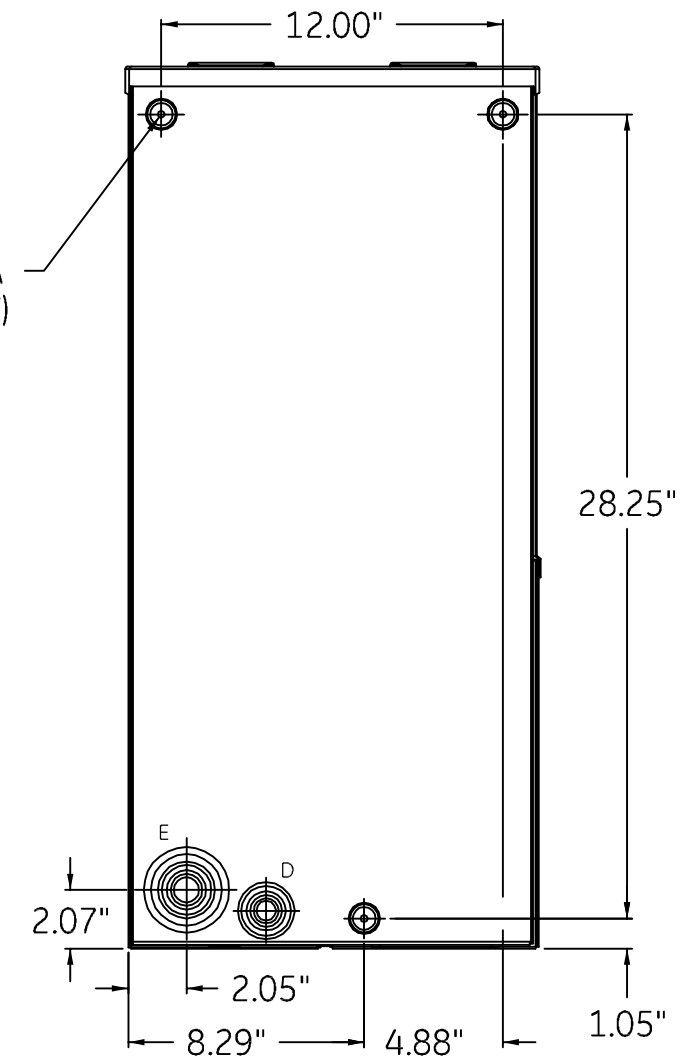


DETAIL A



SEE DETAIL A

Ø .25" DIA  
MOUNTING HOLE (3X)



CAT.NO	MODEL
TSL420CSCU	2

SYMBOL	SIZE	QTY.
A	9/32 KO	1
B	1/2 KO	1
C	3/8 X 1/2 X 3/4 KO	1
D	3/8 X 1/2 X 3/4 X 1 X 1 1/4 X 1 1/2 KO	2
E	1/2 X 3/4 X 1 X 1 1/4 X 1 1/2 X 2 X 2 1/2 KO	4

All DIMENSIONS HAVE +/- .125 TOLERANCE

 imagination at work

OUTLINE DRAWING  
METER SOCKET LOAD CENTER

DWG NO.	DATE	REV
10103091SH83	08/26/09	01