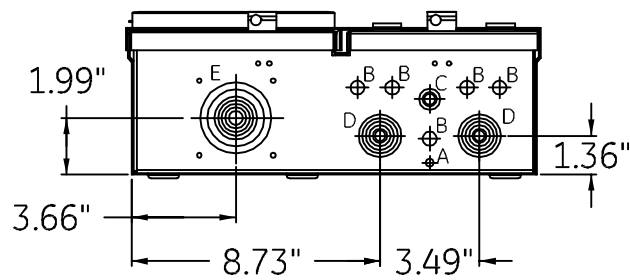
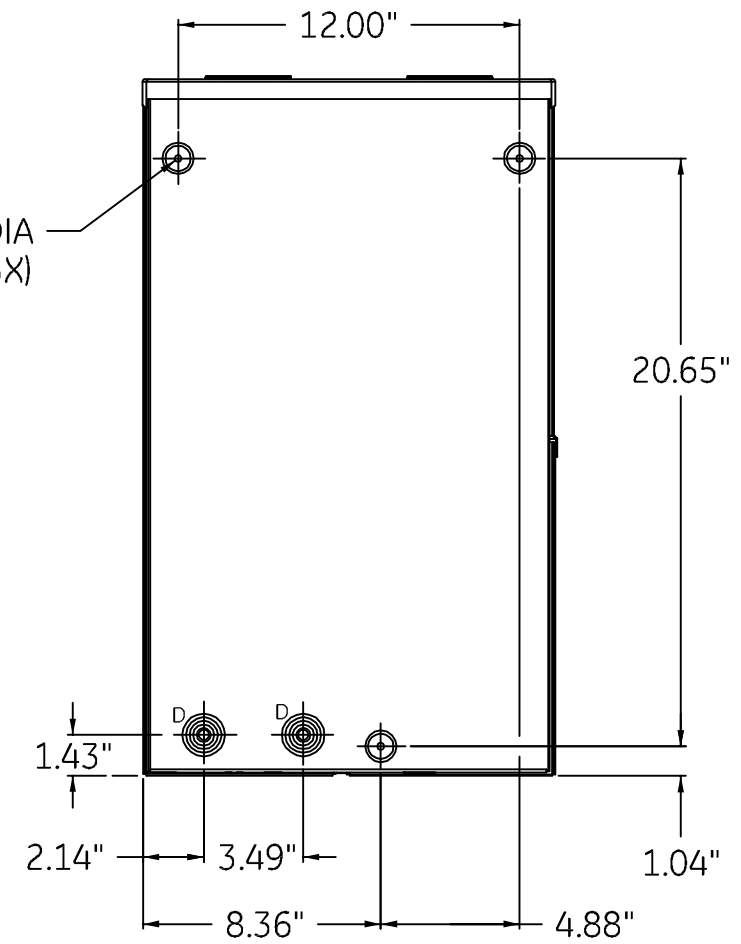


SEE DETAIL A  
 Ø .25" DIA  
 MOUNTING HOLE(3X)



ALL DIMENSIONS HAVE +/- .125 TOLERANCE

CAT.NO	MODEL
TSL210CSCU	2
TSL412CSCU	2

SYMBOL	SIZE	QTY.
A	9/32 KO	1
B	1/2 KO	5
C	3/8 X 1/2 X 3/4 KO	1
D	3/8 X 1/2 X 3/4 X 1 X 1 1/4 X 1 1/2 KO	5
E	1/2 X 3/4 X 1 X 1 1/4 X 1 1/2 X 2 X 2 1/2 KO	1

 imagination at work

OUTLINE DRAWING  
 METER SOCKET LOAD CENTER

DWG NO.	DATE	REV
10103091SH85	09/21/09	01