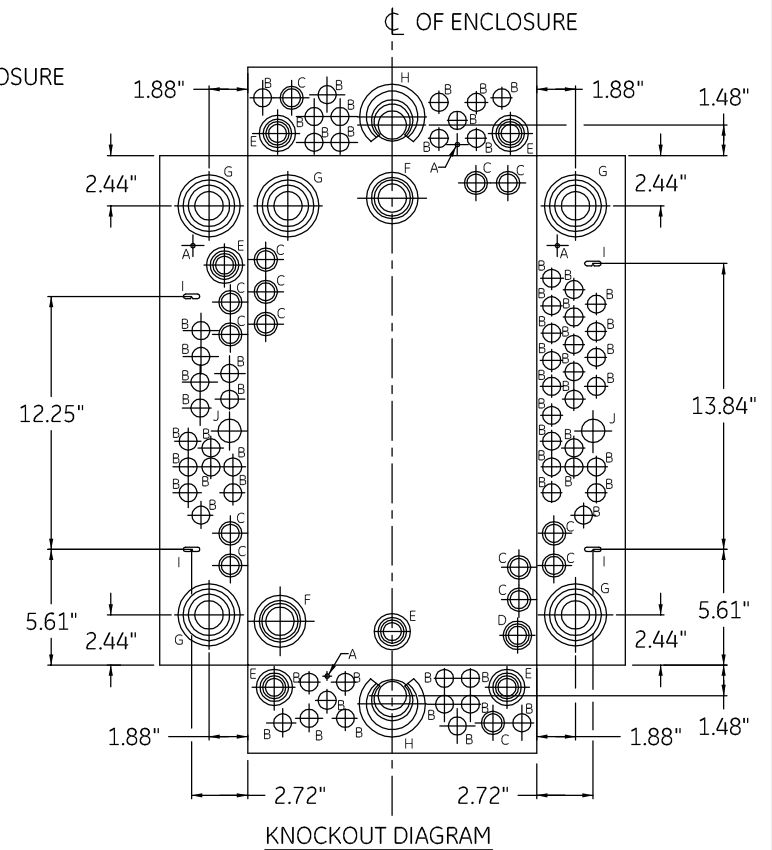


CAT. NO.	MODEL
TMC2410CCA	1
TMC2412CCA	1
TMC2410CCA1K	1
TMC2410CCA2K	1
TMC2412CCA1K	1

SYMBOL	SIZE	QTY.
A	9/32 KO	4
B	1/2 KO	61
C	1/2 X 3/4 KO	15
D	1/2 X 3/4 X 1 KO	1
E	1/2 X 3/4 X 1 X 1 1/4 KO	6
F	1 X 1 1/4 X 1 1/2 X 2 KO	2
G	1 X 1 1/2 X 2 X 2 1/2 KO	5
H	1 X 1 1/4 X 1 1/2 X 2 X 2 1/2 KO	2
I	.219 X .08 OBLONG KO	4
J	3/4 KO	2



NOTE: ALL KO LOCATING DIMENSIONS ARE INSIDE OF BOX.

ALL DIMENSIONS HAVE +/- .125 TOLERANCE

 imagination at work

OUTLINE DRAWING
CSA INDOOR LOAD CENTER

DWG NO.	DATE	REV
10103091SH167	12/30/09	01